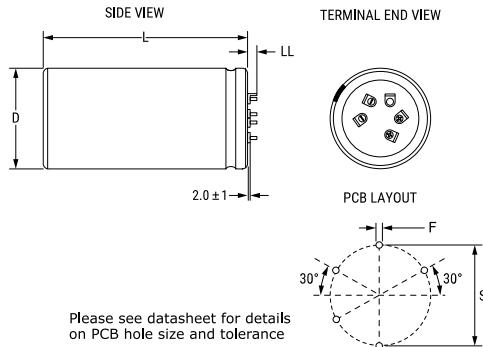


KEMET Part Number: ALF70G303KP100
(A556KW303M100G)

ALF70, Aluminum Electrolytic, 30,000 uF, 20%, 100 VDC, -40/+85°C



Dimensions	
D	50mm +1mm
L	105mm +/-2mm
S	25mm +/-0.1mm
LL	5.5mm +/-1mm
F	1.486mm +/-0.076mm

Packaging Specifications	
Sleeving:	Yes
Packaging:	Bulk

General Information	
Series:	ALF70
Dielectric:	Aluminum Electrolytic
Style:	Press-Fit
Description:	Press-Fit, Aluminum Electrolytic
RoHS:	Yes
Lead:	5 Pin Press-Fit
AEC-Q200:	No
Halogen Free:	Yes
Component Weight:	310 g
Notes:	Dimensions D And L Include Sleeving.
Shelf Life:	156 Weeks

Specifications	
Capacitance:	30,000 uF
Capacitance Tolerance:	20%
Voltage DC:	100 VDC, 115 VDC (Surge)
Temperature Range:	-40/+85°C
Rated Temperature:	85°C
Life:	18000 Hrs (Rated Voltage And Ripple Current At 85C), 29000 Hrs (Rated Voltage at 85C)
Resistance:	13.91 mOhms (100Hz 20C), 12 mOhms (10kHz 20C)
Ripple Current:	16.07 Amps (100Hz 85C), 18.16 Amps (10kHz 85C)
Leakage Current:	6000 uA (5min 20°C)

单击下面可查看定价，库存，交付和生命周期等信息

[>>KEMET\(基美\)](#)