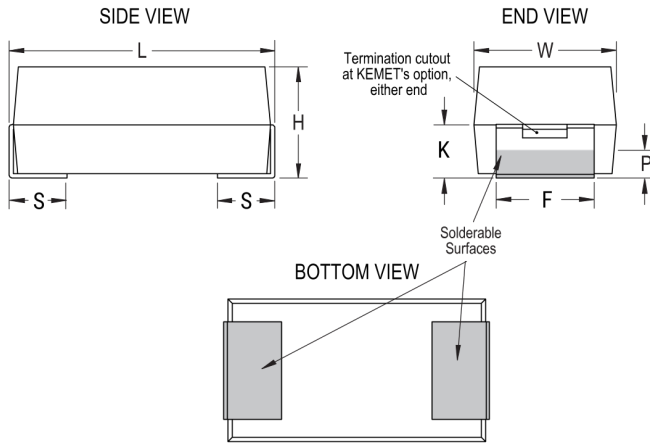


CWR29FC225KDBA

Aliases (T429B225K010DC4250)

T429 CWR29, Tantalum, MnO2 Tantalum, Military/High Reliability, 2.2 uF, 10%, 10 VDC, SMD, MnO2, Molded, Military Equivalent, Low ESR, D (0.001%/1000 Hrs), 3.2 Ohms, 3813, Height Max = 1.65mm



Click [here](#) for the 3D model.

Dimensions

Footprint	3813
L	3.81mm +/-0.38mm
W	1.27mm +/-0.38mm
H	1.27mm +/-0.38mm
S	0.76mm +0.25/-0.13mm
F	1.27mm +/-0.13mm
K	0.76mm MIN
P	0.38mm MIN

Packaging Specifications

Packaging	T&R, 178mm
Packaging Quantity	2500

General Information

Series	T429 CWR29
Dielectric	MnO2 Tantalum
Style	SMD Chip
Description	SMD, MnO2, Molded, Military Equivalent, Low ESR
RoHS	No
Prop 65	⚠ WARNING: Cancer and reproductive harm - http://www.p65warnings.ca.gov .
SCIP Number	652b281f-d242-4453-bc44-0655d646cec3
Termination	Hot Solder Dipped
Qualifications	MIL-PRF-55365/11, CWR29 Style
AEC-Q200	No
Component Weight	68.73 mg
Notes	Note: When Option C Is Selected For Lead Material, Add An Additional 0.38mm To The Tolerances For "L", "W", "H", "K", "F" And "S".
MSL	1

Specifications

Capacitance	2.2 uF
Capacitance Tolerance	10%
Voltage DC	10 VDC (85C), 6.7 VDC (125C)
Temperature Range	-55/+125°C
Rated Temperature	85°C
Dissipation Factor	6% 120Hz 25C
Failure Rate	D (0.001%/1000 Hrs)
Resistance	3.2 Ohms (100kHz 25C)
Leakage Current	1 uA (5min 25°C)
Testing and Reliability	Surge Testing At 25C After Weibull

Statements of suitability for certain applications are based on our knowledge of typical operating conditions for such applications, but are not intended to constitute - and we specifically disclaim - any warranty concerning suitability for a specific customer application or use. This information is intended for use only by customers who have the requisite experience and capability to determine the correct products for their application. Any technical advice inferred from this information or otherwise provided by us with reference to the use of our products is given gratis, and we assume no obligation or liability for the advice given or results obtained.

单击下面可查看定价，库存，交付和生命周期等信息

[>>KEMET\(基美\)](#)