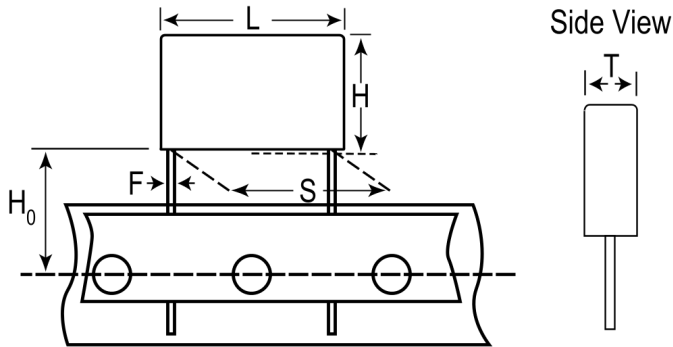


## PME261JA4100KR19T0

Aliases (P561HE102K500L)

PME261/P561, Film, Metallized Paper, General Purpose, 1000 pF, 10%, 1000 VDC, 85°C, Lead Spacing = 10.2mm



Click [here](#) for the 3D model.

### Dimensions

L	13.5mm -0.5mm
H	7.5mm -0.5mm
T	3.9mm -0.5mm
S	10.2mm +0.6/-0.1mm
H <sub>0</sub>	18.5mm +/-0.5mm
F	0.6mm +/-0.05mm

### Packaging Specifications

Packaging	T&R
Packaging Quantity	700

### General Information

Series	PME261/P561
Dielectric	Metallized Paper
Style	Radial
Features	Pulse in DC and low frequency applications
RoHS	Yes
Lead	Wire Leads
AEC-Q200	No
Construction	Molded
Component Weight	0.63 g
Miscellaneous	AC Operation: 70C MAX.

### Specifications

Capacitance	1000 pF
Capacitance Tolerance	10%
Voltage AC	500 VAC
Voltage DC	1000 VDC
Temperature Range	-40/+100°C
Rated Temperature	85°C
Dissipation Factor	1.3% 1kHz
Insulation Resistance	12 GOhms
Max dV/dt	2000 V/us

Statements of suitability for certain applications are based on our knowledge of typical operating conditions for such applications, but are not intended to constitute - and we specifically disclaim - any warranty concerning suitability for a specific customer application or use. This information is intended for use only by customers who have the requisite experience and capability to determine the correct products for their application. Any technical advice inferred from this information or otherwise provided by us with reference to the use of our products is given gratis, and we assume no obligation or liability for the advice given or results obtained.

单击下面可查看定价，库存，交付和生命周期等信息

[>>KEMET\(基美\)](#)