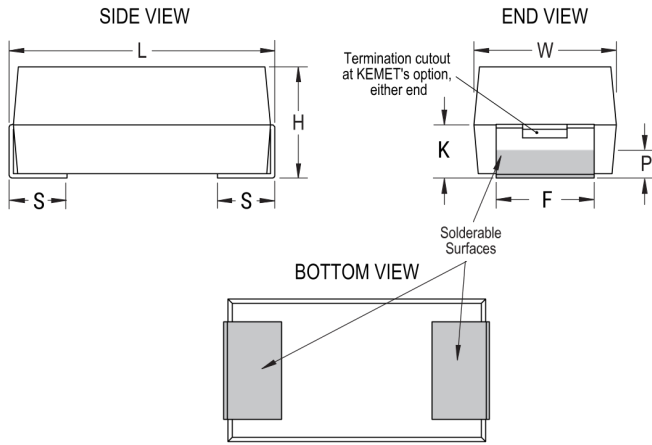


## CWR09MH685KD

Aliases (T409H685K035DH)

T409 CWR09, Tantalum, MnO2 Tantalum, Military/High Reliability, 6.8 uF, 10%, 35 VDC, SMD, MnO2, Molded, Military Equivalent, D (0.001%/1000 Hrs), 1.3 Ohms, 7238, Height Max = 3.17mm



Click [here](#) for the 3D model.

### Dimensions

Footprint	7238
L	7.24mm +/-0.38mm
W	3.81mm +/-0.38mm
H	2.79mm +/-0.38mm
S	1.27mm +0.25/-0.13mm
F	3.68mm +0.13/-0.51mm
K	1.52mm MIN
P	0.76mm MIN

### Packaging Specifications

Packaging	T&R, 178mm
Packaging Quantity	500

### General Information

Series	T409 CWR09
Dielectric	MnO2 Tantalum
Style	SMD Chip
Description	SMD, MnO2, Molded, Military Equivalent
RoHS	No
Prop 65	<b>⚠ WARNING:</b> Cancer and reproductive harm - <a href="http://www.p65warnings.ca.gov">http://www.p65warnings.ca.gov</a> .
SCIP Number	1dd2e1b8-26dd-4d52-927c-6f9d519011aa
Termination	Solder Coated
Qualifications	MIL-PRF-55365/4, CWR09 Style
AEC-Q200	No
Component Weight	349.01 mg
Notes	Note: When Option C Is Selected For Lead Material, Add An Additional 0.38mm To The Tolerances For "L", "W", "H", "K", "F" And "S".
MSL	1

### Specifications

Capacitance	6.8 uF
Capacitance Tolerance	10%
Voltage DC	35 VDC (85C), 23.45 VDC (125C)
Temperature Range	-55/+125°C
Rated Temperature	85°C
Dissipation Factor	6% 120Hz 25C
Failure Rate	D (0.001%/1000 Hrs)
Resistance	1.3 Ohms (100kHz 25C)
Leakage Current	3 uA (5min 25°C)
Testing and Reliability	Standard Testing Only

单击下面可查看定价，库存，交付和生命周期等信息

[>>KEMET\(基美\)](#)