

Overview

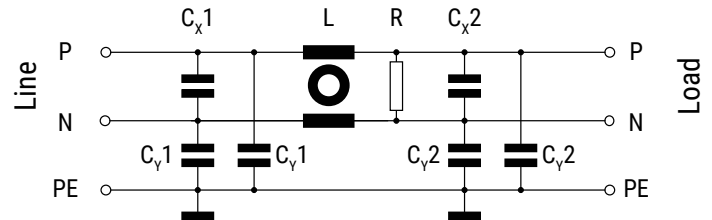
These single phase filters combine high values of inductance and capacitance, maximising attenuation characteristics in the lower frequencies for both common mode and differential mode performance. The relatively small package size of these products makes them suitable for a wide range of motor drive applications within the industrial environment. • Current ratings from 8A to 63A • High attenuation performance • Optional termination styles • Compact range of enclosures.



Technical Specifications

Item	Parameters/ Characteristics
Rated Voltage	300 VAC 600 VDC
Rated Frequency	50 – 60 Hz
Rated Current	8 – 63 A
Rated Temperature	40°C
Temperature range	-25°C to 100°C
Climate Category	25/100/21
Voltage test	P → P 1,300 VDC P → E 2,250 VDC

Typical Electrical Schematic



Part Number	Rated Current at 40°C (A)	C _{x1} (μF)	C _{y1} (nF)	L (mH)	R (MΩ)	C _{x2} (μF)	C _{y2} (nF)
FLLE2008AANT3	8	2.2	10	10	0.22	0.68	47
FLLE2012AANT3	12	2.2	10	7.5	0.22	1	47
FLLE2016AANT3	16	2.2	10	5	0.22	1	47
FLLE2020AANT3	20	2.2	10	3.2	0.22	1	47
FLLE2030AANT3	30	2.2	15	1.3	0.22	1	47
FLLE2036AANT3	36	2.2	15	1.3	0.22	1	47
FLLE2055AANT4	55	4.4	33	1	0.22	1	94
FLLE2063AANT4	63	4.4	33	1	0.22	1	94

Approvals

The FLLE2 – AN is designed according to IEC/EN/UL 60939.

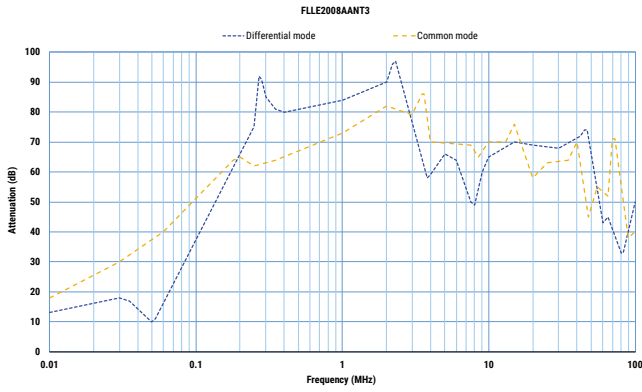
Environmental Compliance

KEMET EMI filters are RoHS Compliant.

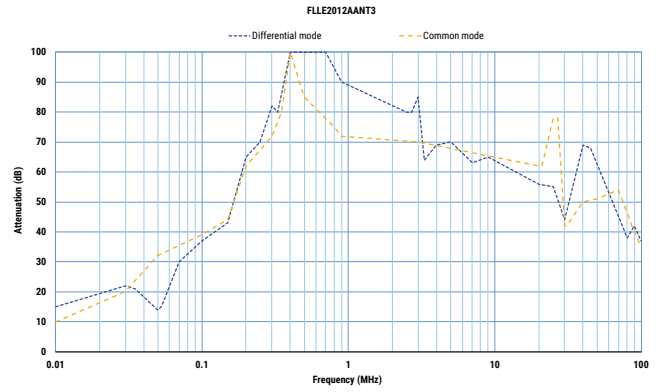


Typical Insertion Loss

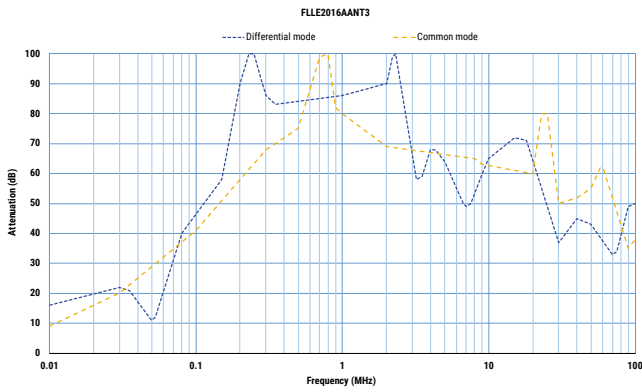
8A



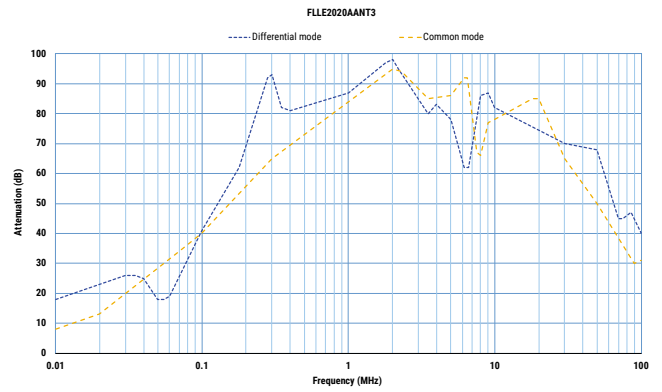
12A



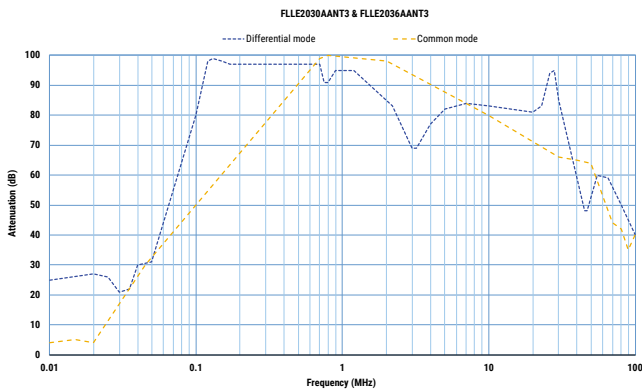
16A



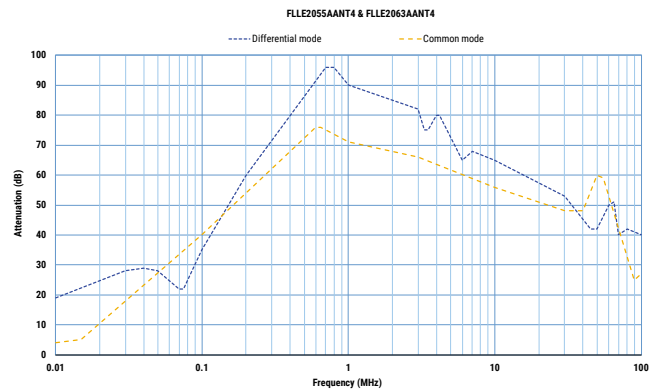
20A



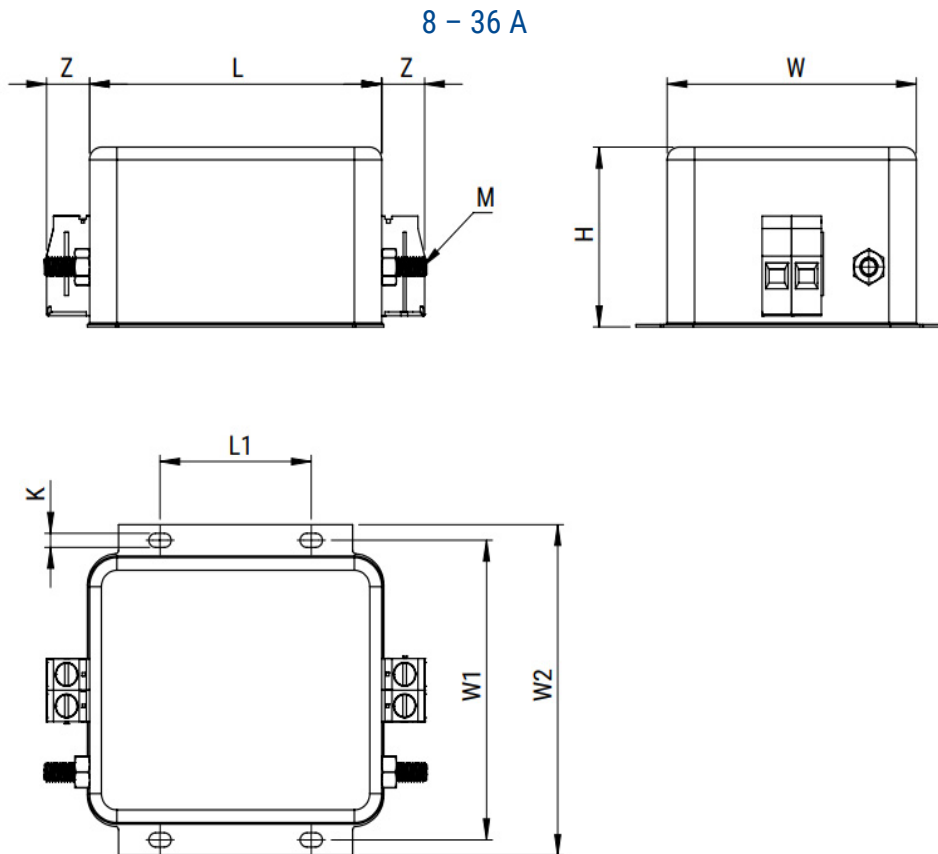
30 & 36A



55 & 63A



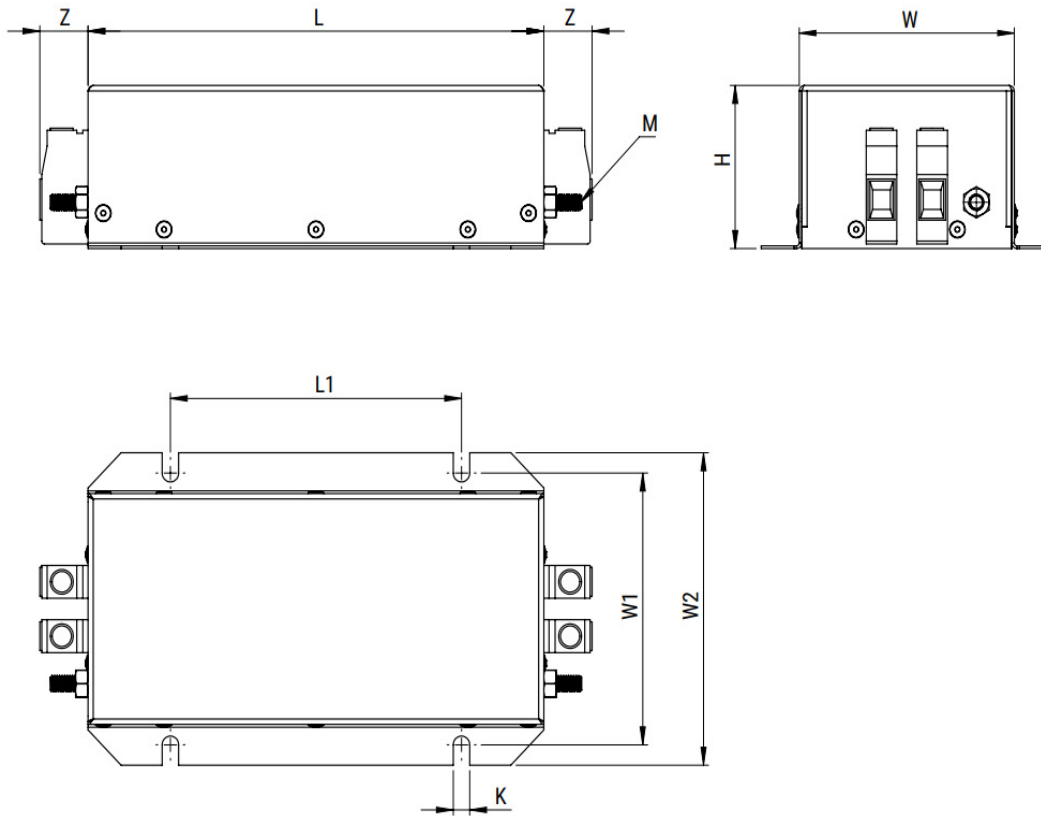
Mechanical Dimensions – Millimeters



Part Number	Dimensions in mm									Terminal block	
	L	L1	W	W1	W2	H	Z	K	M	Wire	Torque
											(mm ²)
FLLE2008AANT3	99	51	85	95	105	57	15	4.5	M6	1 - 10	1.2 - 1.5
FLLE2012AANT3	99	51	85	95	105	57	15	4.5	M6	1 - 10	1.2 - 1.5
FLLE2016AANT3	99	51	85	95	105	57	15	4.5	M6	1 - 10	1.2 - 1.5
FLLE2020AANT3	99	51	85	95	105	57	15	4.5	M6	1 - 10	1.2 - 1.5
FLLE2030AANT3	99	51	85	95	105	57	15	4.5	M6	1 - 10	1.2 - 1.5
FLLE2036AANT3	99	51	85	95	105	57	15	4.5	M6	1 - 10	1.2 - 1.5

Mechanical Dimensions – Millimeters cont.

55 – 63 A



Part Number	Dimensions in mm									Terminal block	
	L	L1	W	W1	W2	H	Z	K	M	Wire	Torque
											(mm ²)
FLLE2055AANT4	180	115	85	100	115	60	19	6.5	M6	2.5 - 16	2.0 - 2.2
FLLE2063AANT4	180	115	85	100	115	60	19	6.5	M6	2.5 - 16	2.0 - 2.2

KEMET Electronics Corporation Sales Offices

For a complete list of our global sales offices, please visit www.kemet.com/sales.

Disclaimer

All product specifications, statements, information and data (collectively, the "Information") in this datasheet are subject to change. The customer is responsible for checking and verifying the extent to which the Information contained in this publication is applicable to an order at the time the order is placed. All Information given herein is believed to be accurate and reliable, but it is presented without guarantee, warranty, or responsibility of any kind, expressed or implied.

Statements of suitability for certain applications are based on KEMET Electronics Corporation's ("KEMET") knowledge of typical operating conditions for such applications, but are not intended to constitute – and KEMET specifically disclaims – any warranty concerning suitability for a specific customer application or use. The Information is intended for use only by customers who have the requisite experience and capability to determine the correct products for their application. Any technical advice inferred from this Information or otherwise provided by KEMET with reference to the use of KEMET's products is given gratis, and KEMET assumes no obligation or liability for the advice given or results obtained.

Although KEMET designs and manufactures its products to the most stringent quality and safety standards, given the current state of the art, isolated component failures may still occur. Accordingly, customer applications which require a high degree of reliability or safety should employ suitable designs or other safeguards (such as installation of protective circuitry or redundancies) in order to ensure that the failure of an electrical component does not result in a risk of personal injury or property damage.

Although all product-related warnings, cautions and notes must be observed, the customer should not assume that all safety measures are indicated or that other measures may not be required.

KEMET is a registered trademark of KEMET Electronics Corporation.

单击下面可查看定价，库存，交付和生命周期等信息

[>>KEMET\(基美\)](#)