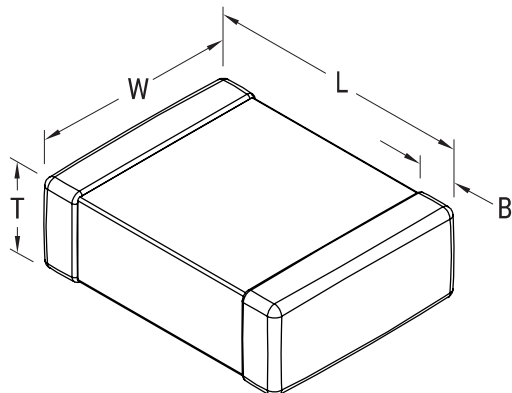


KEMET Part Number: C2220X334J1GACTU
(C2220X334J1GAC7800)

SMD Comm COG Flex, Ceramic, 0.33 uF, 5%, 100 VDC, COG, SMD, MLCC, FT-CAP, Ultra-Stable, 2220



Dimensions

Chip Size		2220
L		5.9mm +/-0.75mm
W		5mm +/-0.4mm
T		1.7mm +/-0.15mm
B		0.7mm +/-0.35mm

Packaging Specifications

Packaging:	T&R, 180mm, Plastic Tape
Packaging Quantity:	1000

General Information

Series:	SMD Comm COG Flex
Style:	SMD Chip
Description:	SMD, MLCC, FT-CAP, Ultra-Stable
Features:	FT-CAP, Ultra-Stable
RoHS:	Yes
Termination:	Flexible Termination
Marking:	No
AEC-Q200:	No
Component Weight:	190 mg
Shelf Life:	78 Weeks
MSL:	1

Specifications

Capacitance:	0.33 uF
Measurement Condition:	1 kHz 1.0Vrms
Capacitance Tolerance:	5%
Voltage DC:	100 VDC
Dielectric Withstanding Voltage:	250 VDC
Temperature Range:	-55/+125°C
Temperature Coefficient:	COG
Capacitance Change with Reference to +25°C and 0 VDC Applied (TCC):	30 ppm/C, 1kHz 1.0Vrms
Dissipation Factor:	0.1% 1 kHz 1.0Vrms
Aging Rate:	0% Loss/Decade Hour
Insulation Resistance:	3.0303 GOhms

单击下面可查看定价，库存，交付和生命周期等信息

[>>KEMET\(基美\)](#)

[>>点击查看相关商品](#)