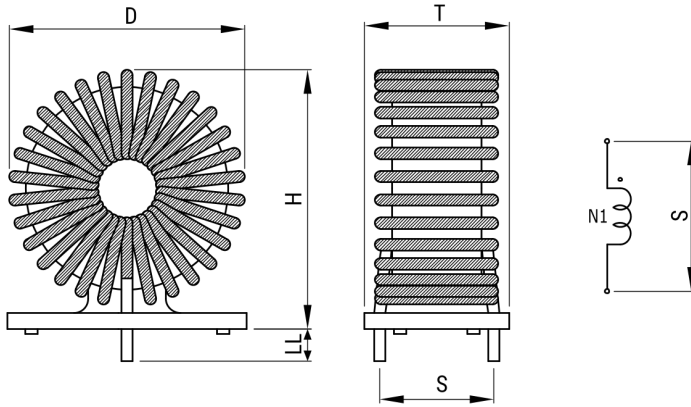


SN12-500J

Aliases (UALSN12500J000)

KEMET, SN-J, AC Line Filters, Normal Mode, 0.1 mH



Click [here](#) for the 3D model.

General Information

Series	SN-J
Style	Through-Hole
RoHS	Yes
Miscellaneous	38 (K) Temperature Rise Max.
Core	Fe

Specifications

Inductance	100 uH (0.1 MHz)
Current	5 A
Temperature Range	-25/+105°C
DC Resistance	45 mOhms

Dimensions

D	28mm MAX
W	22mm NOM
T	17mm MAX
H	29mm MAX
LL	7mm +/-2mm
S	10mm NOM
Wire Size	1mm

Packaging Specifications

Packaging	Tray
Packaging Quantity	300
Component Weight	20 g

Statements of suitability for certain applications are based on our knowledge of typical operating conditions for such applications, but are not intended to constitute - and we specifically disclaim - any warranty concerning suitability for a specific customer application or use. This information is intended for use only by customers who have the requisite experience and capability to determine the correct products for their application. Any technical advice inferred from this information or otherwise provided by us with reference to the use of our products is given gratis, and we assume no obligation or liability for the advice given or results obtained.

单击下面可查看定价，库存，交付和生命周期等信息

[>>KEMET\(基美\)](#)