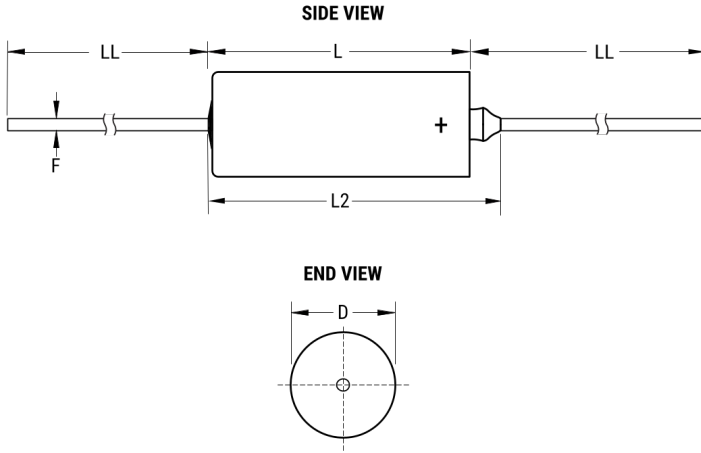


## T140D567M010AS7200

Aliases (T140D567M010AS7443, T140D567M010ASTR)

T140, Tantalum, MnO2 Tantalum, Commercial Grade, 560 uF, 20%, 10 VDC, 500 mOhms



Click [here](#) for the 3D model.

### Dimensions

|    |                   |
|----|-------------------|
| D  | 8.92mm +/-0.25mm  |
| L  | 19.96mm +/-0.79mm |
| L2 | 23.42mm           |
| LL | 38.1mm +/-6.35mm  |
| F  | 0.64mm +/-0.05mm  |

### Packaging Specifications

|                    |                                 |
|--------------------|---------------------------------|
| Packaging          | T&R, 305mm, Class III, B = 73mm |
| Packaging Quantity | 400                             |

### General Information

|              |  |
|--------------|--|
| Series       | T140   |
| Dielectric   | MnO2 Tantalum  |
| Style        | Axial Hermetic   |
| Description  | Axial, Solid Tantalum, Hermetically Sealed, Military (Non-ER), Polar   |
| Features     | Extended Capacitance, Polar  |
| RoHS         | No   |
| Prop 65      | <b>⚠ WARNING:</b> Cancer and reproductive harm - <a href="http://www.p65warnings.ca.gov">http://www.p65warnings.ca.gov</a> . |
| SCIP Number  | be146961-2c72-4b45-804a-c62bf7a8b23e   |
| Termination  | Lead (SnPb)  |
| Lead         | Wire Leads   |
| AEC-Q200     | No   |
| Construction | Hermetic   |
| Notes        | Dimensions Include Insulating Sleeve. When supplied on T&R or AMMO, lead length is determined by taping specification.       |

### Specifications

|                       |  |
|-----------------------|--|
| Capacitance           | 560 uF   |
| Capacitance Tolerance | 20%  |
| Voltage DC            | 10 VDC (85C), 9 VDC (125C Surge), 0.1 VDC (125C Reverse) |
| Temperature Range     | -55/+125°C   |
| Rated Temperature     | 85°C   |
| Dissipation Factor    | 10%  |
| Resistance            | 0.5 Ohms (100kHz)  |
| Leakage Current       | 20 uA (25°C)   |

单击下面可查看定价，库存，交付和生命周期等信息

[>>KEMET\(基美\)](#)