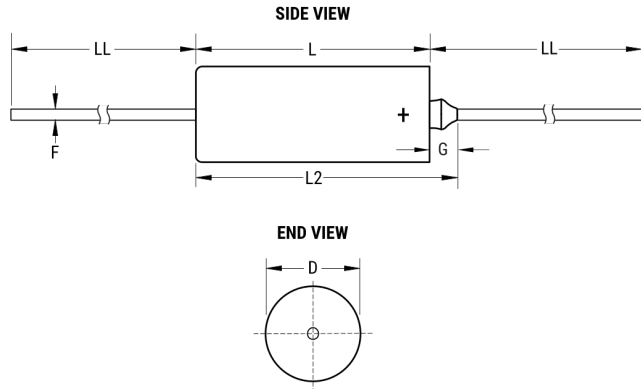


## T262D157K015RS7200

Aliases (M39003/09-0231TR{KEM}, CSR21D157KR7200)

T262 CSR21, Tantalum, MnO2 Tantalum, Military/High Reliability, 150 uF, 10%, 15 VDC, 65 mOhms



Click [here](#) for the 3D model.

Dimensions	
D	8.92mm +/-0.25mm
L	19.96mm +/-0.79mm
L2	23.42mm
LL	38.1mm +/-6.35mm
F	0.64mm +/-0.05mm
G	3.46mm +0.79mm

Packaging Specifications	
Packaging	T&R, 305mm, Class III, B = 73mm
Packaging Quantity	400

General Information	
Series	T262 CSR21
Dielectric	MnO2 Tantalum
Style	Axial Hermetic
Description	Axial, Solid Tantalum, Hermetically Sealed, Military, CSR21 Style
Features	Low ESR, High Current
RoHS	No
Prop 65	<b>⚠ WARNING:</b> Cancer and reproductive harm - <a href="http://www.p65warnings.ca.gov">http://www.p65warnings.ca.gov</a> .
SCIP Number	bee1eed4-5fec-4214-9f43-620c5b22071f
Termination	Lead (SnPb)
Lead	Wire Leads
Qualifications	MIL-PRF-39003, CSR21
AEC-Q200	No
Construction	Hermetic
Miscellaneous	Ripple Current Rating Shown Is At 40Khz And 25C; ESR Is Per MIL-PRF-39003/9.
Notes	Dimensions Include Insulating Sleeve. Lead Length Shown Is For Parts Supplied With Bulk Packaging, When Supplied On T&R Or Ammo, Lead Length Is Determined By Taping Specification.

Specifications	
Capacitance	150 uF
Capacitance Tolerance	10%
Voltage DC	15 VDC (85C), 12 VDC (125C Surge), 0.15 VDC (125C Reverse)
Temperature Range	-55/+125°C
Dissipation Factor	8% 1kHz 25C
Failure Rate	R (0.01%/1000 Hrs)
Resistance	0.065 Ohms (100kHz)
Ripple Current	3600 mAmps (100kHz)
Leakage Current	10 uA
Testing and Reliability	Standard Testing To MIL-PRF-39003

Statements of suitability for certain applications are based on our knowledge of typical operating conditions for such applications, but are not intended to constitute - and we specifically disclaim - any warranty concerning suitability for a specific customer application or use. This information is intended for use only by customers who have the requisite experience and capability to determine the correct products for their application. Any technical advice inferred from this information or otherwise provided by us with reference to the use of our products is given gratis, and we assume no obligation or liability for the advice given or results obtained.

单击下面可查看定价，库存，交付和生命周期等信息

[>>KEMET\(基美\)](#)