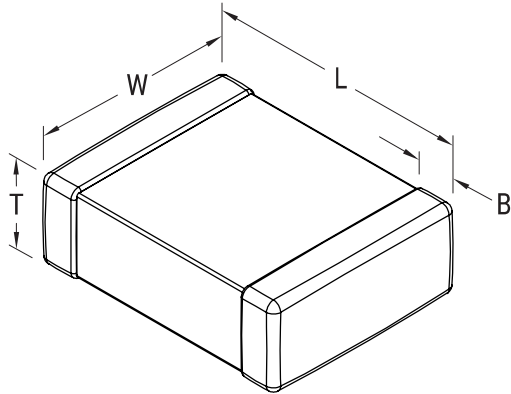


SMD Mil-Equiv X7R HV 49467, Ceramic, 2700 pF, 10%, 2000 VDC, X7R, Surface Mount Ceramic Capacitor, 1515



Dimensions	
Chip Size	1515
L	3.81mm +/-0.38mm
W	3.81mm +/-0.38mm
T	3.55mm NOM
B	0.508mm +/-0.762mm

Packaging Specifications	
Packaging Quantity:	50

General Information	
Series:	SMD Mil-Equiv X7R HV 49467
Style:	SMD Chip
Description:	Surface Mount Ceramic Capacitor
RoHS:	No
Prop 65:	WARNING: Cancer and reproductive harm - www.p65warnings.ca.gov .
SCIP Number:	f6abf01f-fbb0-4a02-bb15-583285915f66
Termination:	Palladium Silver
AEC-Q200:	No

Specifications	
Capacitance:	2700 pF
Capacitance Tolerance:	10%
Voltage DC:	2000 VDC
Dielectric Withstanding Voltage:	2400 VDC
Temperature Range:	-55/+125°C
Temperature Coefficient:	X7R
Capacitance Change with Reference to +25°C and 0 VDC Applied (TCC):	30 ppm/C
Dissipation Factor:	2.5%
Aging Rate:	2% Loss/Decade Hour
Insulation Resistance:	100 GOhms

Statements of suitability for certain applications are based on our knowledge of typical operating conditions for such applications, but are not intended to constitute - and we specifically disclaim - any warranty concerning suitability for a specific customer application or use. This Information is intended for use only by customers who have the requisite experience and capability to determine the correct products for their application. Any technical advice inferred from this Information or otherwise provided by us with reference to the use of our products is given gratis, and we assume no obligation or liability for the advice given or results obtained.

单击下面可查看定价，库存，交付和生命周期等信息

[>>KEMET\(基美\)](#)