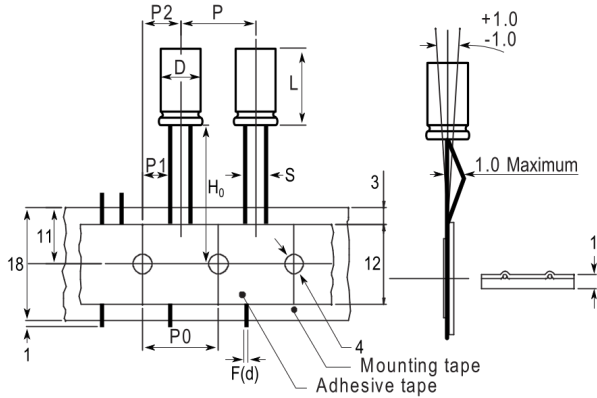


Straight Leads Diameter > 8  
Lead and packaging code EA and KA



Note: '( )' correspond to the letters used in the product bulletin

Click [here](#) for the 3D model.

### Dimensions

D	10mm +/-0.5mm
L	20mm +2.0mm
S	5mm +/-0.5mm
LL Negative	15mm MIN
LL Positive	20mm MIN
F	0.6mm NOM

### Packaging Specifications

Packaging	Ammo
Packaging Quantity	700

### General Information

Series	ESU
Dielectric	Aluminum Electrolytic
Description	Single Ended Aluminum Electrolytic
RoHS	Yes
Lead	Wire Leads
AEC-Q200	No

### Specifications

Capacitance	10 uF
Capacitance Tolerance	20%
Voltage DC	400 VDC, 450 VDC (Surge)
Temperature Range	-25/+105°C
Rated Temperature	105°C
Life	10000 Hrs
Dissipation Factor	20% 120Hz 20C
Ripple Current	180 mAmps (100kHz 105C)
Leakage Current	260 uA (2min 20°C)
Impedance Ratio at -25C	5

单击下面可查看定价，库存，交付和生命周期等信息

[>>KEMET\(基美\)](#)