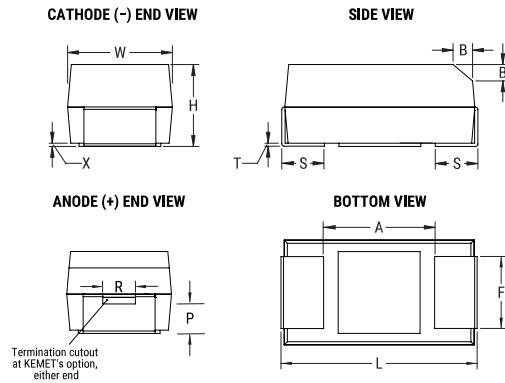


T530, Tantalum, Polymer Tantalum, Multi-Anode, 680 uF, 20%, 4 VDC, SMD, Polymer, Molded, Multiple Anodes, Low ESR, 10 mOhms, 7343, Height Max = 4.3mm



| General Information | |
|---------------------|--|
| Series: | T530 |
| Dielectric: | Polymer Tantalum |
| Style: | SMD Chip |
| Description: | SMD, Polymer, Molded, Multiple Anodes, Low ESR |
| Features: | Low ESR |
| RoHS: | Yes |
| Termination: | Tin |
| AEC-Q200: | No |
| Component Weight: | 410.89 mg |
| Shelf Life: | 52 Weeks |
| MSL: | 3 |

| Dimensions | |
|------------|-----------------|
| Footprint | 7343 |
| L | 7.3mm +/-0.3mm |
| W | 4.3mm +/-0.3mm |
| H | 4mm +/-0.3mm |
| T | 0.13mm REF |
| S | 1.3mm +/-0.3mm |
| F | 2.4mm +/-0.1mm |
| A | 3.6mm MIN |
| B | 0.5mm +/-0.15mm |
| P | 1.7mm REF |
| R | 1mm REF |
| X | 0.1mm +/-0.1mm |

| Specifications | |
|------------------------|--|
| Capacitance: | 680 uF |
| Capacitance Tolerance: | 20% |
| Voltage DC: | 4 VDC (105C), 2.68 VDC (125C) |
| Temperature Range: | -55/+125°C |
| Rated Temperature: | 105°C |
| Life: | 2000 Hrs (125C) |
| Humidity: | 60C, 90% RH, 1000 Hours, No Load |
| Dissipation Factor: | 8% 120Hz 25C |
| Failure Rate: | N/A |
| Resistance: | 10 mOhms (100kHz 25C) |
| Ripple Current: | 5200 mA (rms, 100kHz 45C), 3640 mA (rms, 85C), 1300 mA (rms, 125C) |
| Leakage Current: | 272 uA (5min 25°C) |

| Packaging Specifications | |
|--------------------------|------------|
| Packaging: | T&R, 330mm |
| Packaging Quantity: | 2000 |

Statements of suitability for certain applications are based on our knowledge of typical operating conditions for such applications, but are not intended to constitute - and we specifically disclaim - any warranty concerning suitability for a specific customer application or use. This Information is intended for use only by customers who have the requisite experience and capability to determine the correct products for their application. Any technical advice inferred from this Information or otherwise provided by us with reference to the use of our products is given gratis, and we assume no obligation or liability for the advice given or results obtained.

单击下面可查看定价，库存，交付和生命周期等信息

[>>KEMET\(基美\)](#)