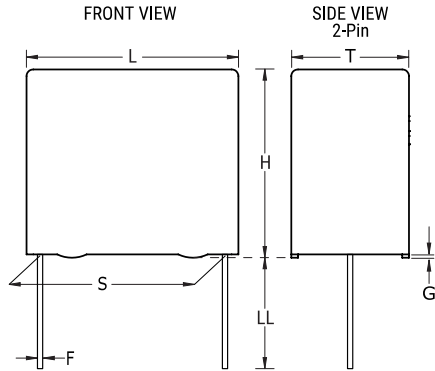


F611, Film, Metallized Polyester, General Purpose, 6.8 uF, 10%, 100 VDC, 85°C, Lead Spacing = 15mm



Dimensions	
L	18mm -0.5mm
H	19mm -0.5mm
T	11mm -0.5mm
S	15mm +/-0.4mm
LL	17mm -1mm
F	0.8mm +/-0.05mm
G	0.5mm NOM

Packaging Specifications	
Packaging:	Bulk
Packaging Quantity:	400

General Information	
Series:	F611
Dielectric:	Metallized Polyester
Style:	Radial
Features:	MKT (Wound), DC Multipurpose Applications
RoHS:	Yes
Lead:	Wire Leads
AEC-Q200:	No
Miscellaneous:	The Rated Voltage Decreases 1.25%/C Between +85C And +105C (For +125C, Please Consult Kemet). ClimCat: 55/105/56.

Specifications	
Capacitance:	6.8 uF
Capacitance Tolerance:	10%
Voltage AC:	63 VAC
Voltage DC:	100 VDC, 75 VDC (105C)
Temperature Range:	-55/+105°C
Rated Temperature:	85°C
Dissipation Factor:	1.2% 1kHz
Insulation Resistance:	735 MOhms
Max dV/dt:	8 V/us
Inductance:	6 nH

单击下面可查看定价，库存，交付和生命周期等信息

[>>KEMET\(基美\)](#)