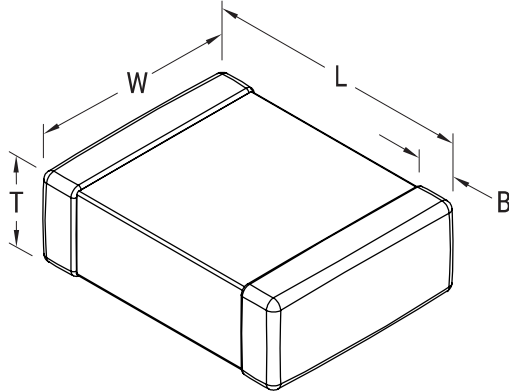


SMD Comm X8L HT150C, Ceramic, 1 uF, 10%, 50 VDC, X8L, SMD, MLCC, High Temperature, Temperature Stable, 1210



Dimensions

| Dimensions | |
|------------|-----------------|
| Chip Size | 1210 |
| L | 3.3mm +/-0.4mm |
| W | 2.6mm +/-0.3mm |
| T | 1.7mm +/-0.20mm |
| B | 0.6mm +/-0.25mm |

Packaging Specifications

| | |
|---------------------|-----------|
| Packaging: | Bulk, Bag |
| Packaging Quantity: | 1 |

General Information

| | |
|-------------------|---|
| Series: | SMD Comm X8L HT150C |
| Style: | SMD Chip |
| Description: | SMD, MLCC, High Temperature, Temperature Stable |
| Features: | High Temperature, Temperature Stable |
| RoHS: | Yes |
| Termination: | Flexible Termination |
| Marking: | No |
| AEC-Q200: | No |
| Component Weight: | 85 mg |
| Shelf Life: | 78 Weeks |
| MSL: | 1 |

Specifications

| | |
|---|---|
| Capacitance: | 1 uF |
| Measurement Condition: | 1 kHz 1.0Vrms |
| Capacitance Tolerance: | 10% |
| Voltage DC: | 50 VDC |
| Dielectric Withstanding Voltage: | 125 VDC |
| Temperature Range: | -55/+150°C |
| Temperature Coefficient: | X8L |
| Capacitance Change with Reference to +25°C and 0 VDC Applied (TCC): | +15%/-40%, 1kHz 1.0Vrms |
| Dissipation Factor: | 2.5% 1 kHz 1.0Vrms |
| Aging Rate: | 3% Loss/Decade Hour: Referee Time is 1000 Hours |
| Insulation Resistance: | 500 MOhms |

单击下面可查看定价，库存，交付和生命周期等信息

[>>KEMET\(基美\)](#)