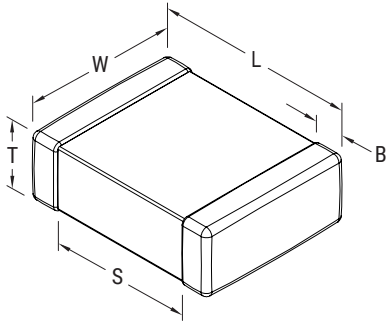


Sample Kit Contents

KEMET Part Number	Case Size	Capacitance	Cap Tolerance	Rated Voltage	T Thickness	Dielectric	Quantity
	EIA/Metric	pF	%	VDC	mm		
C0805C689JCGACTU	0805/2012	6.8	±5	500	1.25 ±0.15	COG	50
C0805C390JCGACTU	0805/2012	39	±5	500	1.25 ±0.15	COG	50
C0805C470JDGACTU	0805/2012	47	±5	1000	1.25 ±0.15	COG	50
C0805C101JCGACTU	0805/2012	100	±5	500	1.25 ±0.15	COG	50
C0805C121JDGACTU	0805/2012	120	±5	1000	1.25 ±0.15	COG	50
C0805C241JCGACTU	0805/2012	240	±5	500	1.25 ±0.15	COG	50
C1206C330JDGACTU	1206/3216	33	±5	1000	1.60 ±0.15	COG	50
C1206C181JGGACTU	1206/3216	180	±5	2000	1.60 ±0.15	COG	50
C1206C391JFGACTU	1206/3216	390	±5	1500	1.60 ±0.15	COG	50
C1206C681JDGACTU	1206/3216	680	±5	1000	1.60 ±0.15	COG	50
C1206C821JBGACTU	1206/3216	820	±5	630	1.20 ±0.15	COG	50
C1206C102JBGACTU	1206/3216	1000	±5	630	1.20 ±0.15	COG	50
C1210C471JGGACTU	1210/3225	470	±5	2000	2.50 ±0.30	COG	50
C1210C681JFGACTU	1210/3225	680	±5	1500	2.50 ±0.30	COG	50
C1210C272JCGACTU	1210/3225	2700	±5	500	2.50 ±0.30	COG	50
C1210C332JCGACTU	1210/3225	3300	±5	500	2.50 ±0.30	COG	50
C1808C121JHGACTU	1808/4520	120	±5	3000	1.60 ±0.15	COG	50
C1808C221JZGACTU	1808/4520	220	±5	2500	2.00 ±0.15	COG	50
C1812C471JGGACTU	1812/4532	470	±5	2000	1.60 ±0.20	COG	25
C1812C102JDGACTU	1812/4532	1000	±5	1000	1.40 ±0.15	COG	25
C1812C222JDGACTU	1812/4532	2200	±5	1000	1.60 ±0.20	COG	25
C2220C331JFGACTU	2220/5650	330	±5	1500	1.40 ±0.15	COG	25
C2220C102JCGACTU	2220/5650	1000	±5	500	1.40 ±0.15	COG	25
C2220C472JDGACTU	2220/5650	4700	±5	1000	1.60 ±0.20	COG	25

Dimensions – Millimeters (Inches)



Case Size (in.)	Case Size (mm)	L Length	W Width	T Thickness	B Bandwidth	S Separation Minimum	Mounting Technique
0805	2012	2.00 (0.079) ±0.20 (0.008)	1.25 (0.049) ±0.20 (0.008)	See Table Above	0.50 (0.02) ±0.25 (0.010)	0.75 (0.030)	Solder Wave or Solder Reflow
1206	3216	3.20 (0.126) ±0.20 (0.008)	1.60 (0.063) ±0.20 (0.008)		0.50 (0.02) ±0.25 (0.010)	N/A	
1210	3225	3.20 (0.126) ±0.20 (0.008)	2.50 (0.098) ±0.20 (0.008)		0.50 (0.02) ±0.25 (0.010)		Solder Reflow Only
1808	4520	4.70 (0.185) ±0.50 (0.020)	2.00 (0.079) ±0.20 (0.008)		0.60 (0.024) ±0.35 (0.014)		
1812	4532	4.50 (0.177) ±0.30 (0.012)	3.20 (0.126) ±0.30 (0.012)		0.60 (0.024) ±0.35 (0.014)		
2220	5650	5.70 (0.224) ±0.40 (0.016)	5.00 (0.197) ±0.40 (0.016)		0.60 (0.024) ±0.35 (0.014)		

单击下面可查看定价，库存，交付和生命周期等信息

[>>KEMET\(基美\)](#)