

ESD, X7R Dielectric, 16 – 250 VDC (Commercial & Automotive Grade)

Overview

The KEMET electrostatic discharge (ESD) rated commercial and automotive grade surface mount capacitors in X7R dielectric are suited for a variety of applications where electrostatic discharge (ESD) events during assembly or operation could damage the capacitor or the circuit. These ESD rated capacitors provide the ability to design within a given ESD criteria per the human body model (HBM) AEC Q200-002 criteria. The KEMET automotive grade capacitors also meet the other demanding Automotive Electronics Council's AEC-Q200 qualification requirements.

The X7R dielectric features a 125°C maximum operating temperature and is considered "temperature stable." The Electronics Industries Alliance (EIA) characterizes X7R dielectric as a Class II material. Components of this classification are fixed, ceramic dielectric capacitors, suited for bypass and decoupling applications and for frequency discriminating circuits, where Q and stability of capacitance characteristics are not critical. The X7R dielectric exhibits a predictable change in capacitance with respect to time and voltage, and boasts a minimal change in capacitance compared to its value at 25°C. Capacitance change is limited to $\pm 15\%$ from -55°C to $+125^{\circ}\text{C}$.

Benefits

- AEC-Q200 automotive qualified
- ESD qualified per HBM - AEC Q200-002
- Available in package size EIA 0402, 0603, 0805, 1206
- DC Voltage ratings of 16 V, 25 V, 50 V, 63 V, 100 V, 200 V and 250 V
- Capacitance range from 1 nF to 2.2 μF
- -55°C to $+125^{\circ}\text{C}$ operating temperature range
- Lead (Pb)-free, RoHS and REACH compliant
- Available capacitance tolerances of $\pm 5\%$, $\pm 10\%$ and $\pm 20\%$
- 100% pure matte tin-plated termination finish allowing for excellent solderability
- Non-polar devices, minimizing installation concerns
- Flexible termination option available



Applications

Typical applications include: electrostatic discharge (ESD), integrated circuit (IC) protection, radio frequency (RF) filtering function, input and output automotive applications such as controllers, navigation systems, airbags and keyless systems.

Ordering Information

| C | 0603 | C | 104 | J | 3 | R | E | C | AUTO |
|---------|------------------------------|---|--|---------------------------------|---|------------|----------------------|---------------------------------|---|
| Ceramic | Case Size (L" x W") | Specification/ Series | Capacitance Code (pF) | Capacitance Tolerance | Rated Voltage (VDC) | Dielectric | Failure Rate/ Design | Termination Finish ² | Packaging/ Grade (C-Spec) |
| | 0402 0603 0805 1206 | C = Standard X = Flexible Termination | Two significant digits and number of zeros | J = ±5% K = ±10% M = ±20% | 4 = 16 3 = 25 5 = 50 M = 63 1 = 100 2 = 200 A = 250 | R = X7R | E = ESD | C = 100% Matte Sn | See "Packaging C-Spec Ordering Options Table" |

¹ The flexible termination option is not available on EIA 0402 case size product. "C" must be used in the 6th character position when ordering this case size.

² Additional termination finish options may be available. Contact KEMET for details.Applications

Table 1A – Capacitance Range/Selection Waterfall

| Capacitance | Cap Code | Case Size/ Series | C0402C | | | C0603C | | | | | |
|-------------|----------|---------------------------------|------------------------|-------|------|--------|-------|-------|-------|-------|-------|
| | | Rated Voltage (VDC) | 16 | 25 | 50 | 16 | 25 | 50 | 63 | 100 | 200 |
| | | Voltage Code | 4 | 3 | 5 | 4 | 3 | 5 | M | 1 | 2 |
| | | Cap Tolerance | ESD Level per AEC-Q200 | | | | | | | | |
| 1.0 nF | 102 | J = ±5% K = ±10% M = ±20% | 2 kV | 2 kV | 2 kV | 25 kV | 25 kV | 25 kV | 25 kV | 25 kV | 25 kV |
| 1.5 nF | 152 | | 4 kV | 4 kV | 4 kV | 12 kV | 12 kV | 12 kV | 12 kV | 12 kV | 12 kV |
| 2.2 nF | 222 | | 6 kV | 6 kV | 6 kV | 25 kV | 25 kV | 25 kV | 25 kV | 25 kV | 25 kV |
| 3.3 nF | 332 | | 8 kV | 8 kV | 8 kV | 12 kV | 12 kV | 12 kV | 12 kV | 12 kV | 12 kV |
| 4.7 nF | 472 | | 8 kV | 8 kV | 8 kV | 16 kV | 16 kV | 16 kV | 16 kV | 16 kV | 16 kV |
| 6.8 nF | 682 | | 4 kV | 4 kV | 4 kV | 25 kV | 25 kV | 25 kV | 25 kV | 25 kV | 25 kV |
| 10 nF | 103 | | 6 kV | 6 kV | 6 kV | 25 kV | 25 kV | 25 kV | 25 kV | 25 kV | 25 kV |
| 15 nF | 153 | | 6 kV | 6 kV | 6 kV | 16 kV | 16 kV | 16 kV | 16 kV | 16 kV | 16 kV |
| 22 nF | 223 | | 8 kV | 8 kV | 8 kV | 16 kV | 16 kV | 16 kV | 16 kV | 16 kV | 16 kV |
| 33 nF | 333 | | 8 kV | 8 kV | | 25 kV | 25 kV | 25 kV | 25 kV | 25 kV | |
| 47 nF | 473 | | 12 kV | 12 kV | | 25 kV | 25 kV | 25 kV | 25 kV | 25 kV | |
| 68 nF | 683 | | 12 kV | | | 25 kV | 25 kV | 25 kV | | | |
| 100 nF | 104 | | 16 kV | | | 25 kV | 25 kV | 25 kV | | | |
| 150 nF | 154 | | | | | 25 kV | 25 kV | 25 kV | | | |
| 220 nF | 224 | | | | | 25 kV | 25 kV | | | | |

Table 1A – Capacitance Range/Selection Waterfall (cont.)

| Capacitance | Cap Code | Case Size/ Series | C0805C | | | | | | | C1206C | | | | | | |
|-------------|----------|---------------------------------|------------------------|-------|-------|-------|-------|-------|-------|--------|-------|-------|-------|-------|-------|-------|
| | | Rated Voltage (VDC) | 16 | 25 | 50 | 63 | 100 | 200 | 250 | 16 | 25 | 50 | 63 | 100 | 200 | 250 |
| | | Voltage Code | 4 | 3 | 5 | M | 1 | 2 | A | 4 | 3 | 5 | M | 1 | 2 | A |
| | | Cap Tolerance | ESD Level per AEC-Q200 | | | | | | | | | | | | | |
| 1.0 nF | 102 | J = ±5% K = ±10% M = ±20% | 12 kV | 12 kV | 12 kV | 12 kV | 12 kV | 12 kV | 12 kV | 4 kV | 4 kV | 4 kV | 4 kV | 4 kV | 4 kV | 4 kV |
| 1.5 nF | 152 | | 4 kV | 4 kV | 4 kV | 4 kV | 4 kV | 4 kV | 4 kV | 6 kV | 6 kV | 6 kV | 6 kV | 6 kV | 6 kV | 6 kV |
| 2.2 nF | 222 | | 4 kV | 4 kV | 4 kV | 4 kV | 4 kV | 4 kV | 4 kV | 8 kV | 8 kV | 8 kV | 8 kV | 8 kV | 8 kV | 8 kV |
| 3.3 nF | 332 | | 16 kV | 16 kV | 16 kV | 16 kV | 16 kV | 16 kV | 16 kV | 16 kV | 16 kV | 16 kV | 16 kV | 16 kV | 16 kV | 16 kV |
| 4.7 nF | 472 | | 25 kV | 25 kV | 25 kV | 25 kV | 25 kV | 25 kV | 25 kV | 25 kV | 25 kV | 25 kV | 25 kV | 25 kV | 25 kV | 25 kV |
| 6.8 nF | 682 | | 25 kV | 25 kV | 25 kV | 25 kV | 25 kV | 25 kV | 25 kV | 25 kV | 25 kV | 25 kV | 25 kV | 25 kV | 25 kV | 25 kV |
| 10 nF | 103 | | 25 kV | 25 kV | 25 kV | 25 kV | 25 kV | 25 kV | 25 kV | 25 kV | 25 kV | 25 kV | 25 kV | 25 kV | 25 kV | 25 kV |
| 15 nF | 153 | | 25 kV | 25 kV | 25 kV | 25 kV | 25 kV | 25 kV | 25 kV | 25 kV | 25 kV | 25 kV | 25 kV | 25 kV | 25 kV | 25 kV |
| 22 nF | 223 | | 25 kV | 25 kV | 25 kV | 25 kV | 25 kV | 25 kV | 25 kV | 25 kV | 25 kV | 25 kV | 25 kV | 25 kV | 25 kV | 25 kV |
| 33 nF | 333 | | 25 kV | 25 kV | 25 kV | 25 kV | 25 kV | 25 kV | 25 kV | 25 kV | 25 kV | 25 kV | 25 kV | 25 kV | 25 kV | 25 kV |
| 47 nF | 473 | | 25 kV | 25 kV | 25 kV | 25 kV | 25 kV | 25 kV | 25 kV | 25 kV | 25 kV | 25 kV | 25 kV | 25 kV | 25 kV | 25 kV |
| 68 nF | 683 | | 25 kV | 25 kV | 25 kV | 25 kV | 25 kV | 25 kV | 25 kV | 25 kV | 25 kV | 25 kV | 25 kV | 25 kV | 25 kV | 25 kV |
| 100 nF | 104 | | 25 kV | 25 kV | 25 kV | 25 kV | 25 kV | 25 kV | 25 kV | 25 kV | 25 kV | 25 kV | 25 kV | 25 kV | 25 kV | 25 kV |
| 150 nF | 154 | | 25 kV | 25 kV | 25 kV | 25 kV | 25 kV | 25 kV | 25 kV | 25 kV | 25 kV | 25 kV | 25 kV | 25 kV | 25 kV | 25 kV |
| 220 nF | 224 | | 25 kV | 25 kV | 25 kV | 25 kV | 25 kV | 25 kV | 25 kV | 25 kV | 25 kV | 25 kV | 25 kV | 25 kV | 25 kV | 25 kV |
| 330 nF | 334 | | 25 kV | 25 kV | 25 kV | 25 kV | 25 kV | 25 kV | 25 kV | 25 kV | 25 kV | 25 kV | 25 kV | 25 kV | 25 kV | 25 kV |
| 470 nF | 474 | | 25 kV | 25 kV | 25 kV | 25 kV | 25 kV | 25 kV | 25 kV | 25 kV | 25 kV | 25 kV | 25 kV | 25 kV | 25 kV | 25 kV |
| 680 nF | 684 | | 25 kV | 25 kV | 25 kV | 25 kV | 25 kV | 25 kV | 25 kV | 25 kV | 25 kV | 25 kV | 25 kV | 25 kV | 25 kV | 25 kV |
| 1.0 µF | 105 | | 25 kV | 25 kV | 25 kV | 25 kV | 25 kV | 25 kV | 25 kV | 25 kV | 25 kV | 25 kV | 25 kV | 25 kV | 25 kV | 25 kV |
| 1.5 µF | 155 | | 25 kV | 25 kV | 25 kV | 25 kV | 25 kV | 25 kV | 25 kV | 25 kV | 25 kV | 25 kV | 25 kV | 25 kV | 25 kV | 25 kV |
| 2.2 µF | 225 | 25 kV | 25 kV | 25 kV | 25 kV | 25 kV | 25 kV | 25 kV | 25 kV | 25 kV | 25 kV | 25 kV | 25 kV | 25 kV | 25 kV | |

Packaging C-Spec Ordering Options Table

| Packaging Type | Packaging/Grade Ordering Code (C-Spec) |
|---|---|
| Commercial Grade¹ | |
| Bulk Bag | Not required (blank) |
| 7" Reel/Unmarked | TU |
| 13" Reel/Unmarked | 7411 (EIA 0603 and smaller case sizes) 7210 (EIA 0805 and larger case sizes) |
| 7" Reel/Unmarked/2 mm pitch ² | 7081 |
| 13" Reel/Unmarked/2 mm pitch ² | 7082 |
| Automotive Grade³ | |
| 7" Reel | AUTO |
| 13" Reel/Unmarked | AUTO7411 (EIA 0603 and smaller case sizes) AUTO7210 (EIA 0805 and larger case sizes) |
| 7" Reel/Unmarked/2 mm pitch ² | 3190 |
| 13" Reel/Unmarked/2 mm pitch ² | 3191 |

¹ Default packaging is "Bulk Bag." An ordering code C-Spec is not required for "Bulk Bag" packaging.
² The 2 mm pitch option allows for double the packaging quantity of capacitors on a given reel size. This option is limited to EIA 0603 (1608 metric) case size devices. For more information regarding 2 mm pitch option see "Tape & Reel Packaging Information."
³ Reeling tape options (Paper or Plastic) are dependent on capacitor case size (L" x W") and thickness dimension. See "Chip Thickness/Tape & Reel Packaging Quantities" and "Tape & Reel Packaging Information."
³ For additional information regarding "AUTO" C-Spec options, see "Automotive C-Spec Information."
³ All automotive packaging C-Specs listed exclude the option to laser mark components. The option to laser mark is not available on these devices. For more information see "Capacitor Marking."

Automotive C-Spec Information

KEMET automotive grade products meet or exceed the requirements outlined by the Automotive Electronics Council. Details regarding test methods and conditions are referenced in document AEC-Q200, Stress Test Qualification for Passive Components. These products are supported by a Product Change Notification (PCN) and Production Part Approval Process warrant (PPAP).

Automotive products offered through our distribution channel have been assigned an inclusive ordering code C-Spec, "AUTO." This C-Spec was developed in order to better serve small and medium-sized companies that prefer an automotive grade component without the requirement to submit a customer Source Controlled Drawing (SCD) or specification for review by a KEMET engineering specialist. This C-Spec is therefore not intended for use by KEMET OEM automotive customers and are not granted the same "privileges" as other automotive C-Specs. Customer PCN approval and PPAP request levels are limited (see details below.)

Product Change Notification (PCN)

The KEMET product change notification system is used to communicate primarily the following types of changes:

- Product/process changes that affect product form, fit, function, and/or reliability
- Changes in manufacturing site
- Product obsolescence

| KEMET Automotive C-Spec | Customer Notification Due To: | | Days Prior To Implementation |
|-----------------------------|----------------------------------|---------------|------------------------------|
| | Process/Product change | Obsolescence* | |
| KEMET assigned ¹ | Yes (with approval and sign off) | Yes | 180 days minimum |
| AUTO | Yes (without approval) | Yes | 90 days minimum |

¹ KEMET assigned C-Specs require the submittal of a customer SCD or customer specification for review. For additional information contact KEMET.

Production Part Approval Process (PPAP)

The purpose of the Production Part Approval Process is:

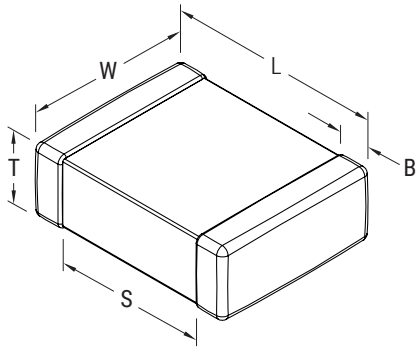
- To ensure that supplier can meet the manufacturability and quality requirements for the purchased parts.
- To provide the evidence that all customer engineering design records and specification requirements are properly understood and fulfilled by the manufacturing organization.
- To demonstrate that the established manufacturing process has the potential to produce the part.

| KEMET Automotive C-Spec | PPAP (Product Part Approval Process) Level | | | | |
|-----------------------------|--|---|---|---|---|
| | 1 | 2 | 3 | 4 | 5 |
| KEMET assigned ¹ | ● | ● | ● | ● | ● |
| AUTO | | | ○ | | |

¹ KEMET assigned C-Specs require the submittal of a customer SCD or customer specification for review. For additional information contact KEMET.

- Part number specific PPAP available
- Product family PPAP only

Dimensions – Millimeters (Inches)



| EIA Size Code | Metric Size Code | L Length | W Width | T Thickness | B Bandwidth | S Separation Minimum | Mounting Technique |
|-------------------------------------|------------------|-------------------------------|-------------------------------|------------------------------|-------------------------------|----------------------|------------------------------------|
| Without Flexible Termination | | | | | | | |
| 0402 | 1005 | 1.00 (0.040) ±0.05 (0.002) | 0.50 (0.020) ±0.05 (0.002) | See Table 2 for Thickness | 0.30 (0.012) ±0.10 (0.004) | 0.30 (0.012) | Solder reflow only |
| 0603 | 1608 | 1.60 (0.063) ±0.15 (0.006) | 0.80 (0.032) ±0.15 (0.006) | | 0.35 (0.014) ±0.15 (0.006) | 0.70 (0.028) | Solder wave or Solder reflow |
| 0805 | 2012 | 2.00 (0.079) ±0.20 (0.008) | 1.25 (0.049) ±0.20 (0.008) | | 0.50 (0.02) ±0.25 (0.010) | 0.75 (0.030) | |
| 1206 | 3216 | 3.20 (0.126) ±0.20 (0.008) | 1.60 (0.063) ±0.20 (0.008) | | 0.50 (0.02) ±0.25 (0.010) | N/A | |
| With Flexible Termination | | | | | | | |
| 0603 | 1608 | 1.60 (0.063) ±0.17 (0.007) | 0.80 (0.032) ±0.15 (0.006) | See Table 2 for Thickness | 0.45 (0.018) ±0.15 (0.006) | 0.58 (0.023) | Solder wave or Solder reflow |
| 0805 | 2012 | 2.00 (0.079) ±0.30 (0.012) | 1.25 (0.049) ±0.30 (0.012) | | 0.50 (0.02) ±0.25 (0.010) | 0.75 (0.030) | |
| 1206 | 3216 | 3.30 (0.130) ±0.40 (0.016) | 1.60 (0.063) ±0.35 (0.013) | | 0.60 (0.024) ±0.25 (0.010) | N/A | |

Qualification/Certification

Commercial grade products are subject to internal qualification. Details regarding test methods and conditions are referenced in Table 4, Performance & Reliability.

Automotive grade products meet or exceed the requirements outlined by the Automotive Electronics Council. Details regarding test methods and conditions are referenced in document AEC-Q200, Stress Test Qualification for Passive Components. For additional information regarding the Automotive Electronics Council and AEC-Q200, please visit their website at www.aecouncil.com.

Environmental Compliance

Lead (Pb)-free, RoHS, and REACH compliant without exemptions.

Electrical Parameters/Characteristics

| Item | Parameters/Characteristics |
|--|---|
| Operating Temperature Range | -55°C to +125°C |
| Capacitance Change with Reference to +25°C and 0 VDC Applied (TCC) | ±15% |
| ¹ Aging Rate (Maximum % Capacitance Loss/Decade Hour) | 3.0% |
| ² Dielectric Withstanding Voltage (DWV) | 250% of rated voltage (5 ±1 seconds and charge/discharge not exceeding 50 mA) |
| ³ Dissipation Factor (DF) Maximum Limit at 25°C | See Dissipation Factor Limit table |
| ⁴ Insulation Resistance (IR) Minimum Limit at 25°C | See Insulation Resistance Limit table (Rated voltage applied for 120 ±5 seconds at 25°C) |

¹ Regarding Aging Rate: Capacitance measurements (including tolerance) are indexed to a referee time of 48 or 1,000 hours. Please refer to a part number specific datasheet for referee time details

² DWV is the voltage a capacitor can withstand (survive) for a short period of time. It exceeds the nominal and continuous working voltage of the capacitor.

³ Capacitance and dissipation factor (DF) measured under the following conditions:

1 kHz ± 50 Hz and $1.0 \pm 0.2 V_{rms}$ if capacitance ≤ 10 μF

120 Hz ± 10 Hz and $0.5 \pm 0.1 V_{rms}$ if capacitance > 10 μF

⁴ To obtain IR limit, divide $M\Omega - \mu F$ value by the capacitance and compare to GΩ limit. Select the lower of the two limits.

Note: When measuring capacitance it is important to ensure the set voltage level is held constant. The HP4284 and Agilent E4980 have a feature known as Automatic Level Control (ALC). The ALC feature should be switched to "ON."

Post Environmental Limits

| Post Environmental Limits | | | | | |
|---------------------------|------------------|-------------|--------------------------------|-------------------|-----------------------|
| EIA Case Size | Rated DC Voltage | Capacitance | Dissipation Factor (Maximum %) | Capacitance Shift | Insulation Resistance |
| All | < 16 | All | 7.5 | ±20% | 10% of Initial limit |
| | 16/25 | | 5.0 | | |
| | > 25 | | 3.0 | | |

Dissipation Factor Limit Table

| EIA Case Size | Rated DC Voltage | Capacitance | Dissipation Factor (Maximum %) |
|---------------|------------------|-------------|--------------------------------|
| All | 16/25 | All | 3.5 |
| | > 25 | | 2.5 |

Insulation Resistance (IR) Limits Table

| EIA Case Size | 1,000 megohm microfarads or 100 GΩ | 500 megohm microfarads or 10 GΩ |
|---------------|------------------------------------|---------------------------------|
| 0402 | < .012 μF | ≥ .012 μF |
| 0603 | < .047 μF | ≥ .047 μF |
| 0805 | < 0.15 μF | ≥ 0.15 μF |
| 1206 | < 0.47 μF | ≥ 0.47 μF |

Table 1B – Product Availability and Chip Thickness Waterfall – Standard Termination

| Capacitance | Cap Code | Case Size/ Series | C0402C | | | C0603C | | | | | |
|-------------|----------|---------------------------------|---|----|----|--------|----|----|----|-----|-----|
| | | Rated Voltage (VDC) | 16 | 25 | 50 | 16 | 25 | 50 | 63 | 100 | 200 |
| | | Voltage Code | 4 | 3 | 5 | 4 | 3 | 5 | M | 1 | 2 |
| | | Cap Tolerance | Product Availability and Chip Thickness Codes – See Packaging Specs for Chip Thickness Dimensions | | | | | | | | |
| 1.0 nF | 102 | J = ±5% K = ±10% M = ±20% | BB | BB | BB | CF | CF | CF | CF | CF | CF |
| 1.5 nF | 152 | | BB | BB | BB | CF | CF | CF | CF | CF | CF |
| 2.2 nF | 222 | | BB | BB | BB | CF | CF | CF | CF | CF | CF |
| 3.3 nF | 332 | | BB | BB | BB | CF | CF | CF | CF | CF | CF |
| 4.7 nF | 472 | | BB | BB | BB | CF | CF | CF | CF | CF | CF |
| 6.8 nF | 682 | | BB | BB | BB | CF | CF | CF | CF | CF | CF |
| 10 nF | 103 | | BB | BB | BB | CF | CF | CF | CF | CF | CF |
| 15 nF | 153 | | BB | BB | BB | CF | CF | CF | CF | CF | CF |
| 22 nF | 223 | | BB | BB | BB | CF | CF | CF | CF | CF | CF |
| 33 nF | 333 | | BB | BB | BB | CF | CF | CF | CF | CF | CF |
| 47 nF | 473 | | BB | BB | | CF | CF | CF | CF | CF | |
| 68 nF | 683 | | BB | | | CF | CF | CF | | | |
| 100 nF | 104 | | BB | | | CF | CF | CF | | | |
| 150 nF | 154 | | | | | CF | CF | CF | | | |
| 220 nF | 224 | | | | | CF | CF | CF | | | |

| Capacitance | Cap Code | Case Size/ Series | C0805C | | | | | | | C1206C | | | | | | |
|-------------|----------|---------------------------------|---|----|----|----|-----|-----|-----|--------|----|----|----|-----|-----|-----|
| | | Rated Voltage (VDC) | 16 | 25 | 50 | 63 | 100 | 200 | 250 | 16 | 25 | 50 | 63 | 100 | 200 | 250 |
| | | Voltage Code | 4 | 3 | 5 | M | 1 | 2 | A | 4 | 3 | 5 | M | 1 | 2 | A |
| | | Cap Tolerance | Product Availability and Chip Thickness Codes – See Packaging Specs for Chip Thickness Dimensions | | | | | | | | | | | | | |
| 1.0 nF | 102 | J = ±5% K = ±10% M = ±20% | DN | DN | DN | DN | DN | DN | DN | EB | EB | EB | EB | EB | EB | EB |
| 1.5 nF | 152 | | DN | DN | DN | DN | DN | DN | DN | EB | EB | EB | EB | EB | EB | EB |
| 2.2 nF | 222 | | DN | DN | DN | DN | DN | DN | DN | EB | EB | EB | EB | EB | EB | EB |
| 3.3 nF | 332 | | DN | DN | DN | DN | DN | DN | DN | EB | EB | EB | EB | EB | EB | EB |
| 4.7 nF | 472 | | DN | DN | DN | DN | DN | DN | DN | EB | EB | EB | EB | EB | EB | EB |
| 6.8 nF | 682 | | DN | DN | DN | DN | DN | DN | DN | EB | EB | EB | EB | EB | EB | EB |
| 10 nF | 103 | | DN | DN | DN | DN | DN | DN | DN | EB | EB | EB | EB | EB | EB | EB |
| 15 nF | 153 | | DN | DN | DN | DN | DN | DN | DN | EB | EB | EB | EB | EB | EB | EB |
| 22 nF | 223 | | DN | DN | DN | DN | DN | DN | DN | EB | EB | EB | EB | EB | EB | EB |
| 33 nF | 333 | | DE | DE | DE | DE | DE | DE | | EB | EB | EB | EB | EB | EB | EB |
| 47 nF | 473 | | DG | DG | DG | DG | DG | DG | | ED | ED | ED | ED | ED | ED | ED |
| 68 nF | 683 | | DE | DE | DE | DE | DE | | | ED | ED | ED | ED | ED | ED | ED |
| 100 nF | 104 | | DE | DE | DE | DE | DE | | | EM | EM | EM | EM | EM | EM | EM |
| 150 nF | 154 | | DG | DG | DG | DG | DG | | | EG | EG | EG | EG | EG | EG | EG |
| 220 nF | 224 | | DG | DG | DG | DG | DG | | | EC | EC | EC | EC | EC | | |
| 330 nF | 334 | | DP | DP | | | | | | EM | EM | EM | EM | EM | | |
| 470 nF | 474 | | DE | DE | DE | | | | | EH | EH | EH | EH | | | |
| 680 nF | 684 | | DG | DG | DG | | | | | ED | ED | ED | | | | |
| 1.0 µF | 105 | | DG | DG | | | | | | ED | ED | ED | | | | |
| 1.5 µF | 155 | | DG | | | | | | | EH | EH | EH | | | | |
| 2.2 µF | 225 | DG | | | | | | | EH | EH | EH | | | | | |

Table 1C – Product Availability and Chip Thickness Waterfall – Flexible Termination

| Capacitance | Cap Code | Case Size/ Series | C0603C | | | | | |
|-------------|----------|---------------------------------|---|----|----|----|-----|-----|
| | | Rated Voltage (VDC) | 16 | 25 | 50 | 63 | 100 | 200 |
| | | Voltage Code | 4 | 3 | 5 | M | 1 | 2 |
| | | Cap Tolerance | Product Availability and Chip Thickness Codes – See Packaging Specs for Chip Thickness Dimensions | | | | | |
| 1.0 nF | 102 | J = ±5% K = ±10% M = ±20% | CJ | CJ | CJ | CJ | CJ | CJ |
| 1.5 nF | 152 | | CJ | CJ | CJ | CJ | CJ | CJ |
| 2.2 nF | 222 | | CJ | CJ | CJ | CJ | CJ | CJ |
| 3.3 nF | 332 | | CJ | CJ | CJ | CJ | CJ | CJ |
| 4.7 nF | 472 | | CJ | CJ | CJ | CJ | CJ | CJ |
| 6.8 nF | 682 | | CJ | CJ | CJ | CJ | CJ | CJ |
| 10 nF | 103 | | CJ | CJ | CJ | CJ | CJ | CJ |
| 15 nF | 153 | | CJ | CJ | CJ | CJ | CJ | CJ |
| 22 nF | 223 | | CJ | CJ | CJ | CJ | CJ | CJ |
| 33 nF | 333 | | CJ | CJ | CJ | CJ | CJ | CJ |
| 47 nF | 473 | | CJ | CJ | CJ | CJ | CJ | CJ |
| 68 nF | 683 | | CJ | CJ | CJ | CJ | CJ | CJ |
| 100 nF | 104 | | CJ | CJ | CJ | CJ | CJ | CJ |
| 150 nF | 154 | | CJ | CJ | CJ | CJ | CJ | CJ |
| 220 nF | 224 | | CJ | CJ | CJ | CJ | CJ | CJ |

| Capacitance | Cap Code | Case Size/ Series | C0805C | | | | | | | C1206C | | | | | | |
|-------------|----------|---------------------------------|---|----|----|----|-----|-----|-----|--------|----|----|----|-----|-----|-----|
| | | Rated Voltage (VDC) | 16 | 25 | 50 | 63 | 100 | 200 | 250 | 16 | 25 | 50 | 63 | 100 | 200 | 250 |
| | | Voltage Code | 4 | 3 | 5 | M | 1 | 2 | A | 4 | 3 | 5 | M | 1 | 2 | A |
| | | Cap Tolerance | Product Availability and Chip Thickness Codes – See Packaging Specs for Chip Thickness Dimensions | | | | | | | | | | | | | |
| 1.0 nF | 102 | J = ±5% K = ±10% M = ±20% | DR | DR | DR | DR | DR | DR | DR | DC | EQ | EQ | EQ | EQ | EQ | EQ |
| 1.5 nF | 152 | | DR | DR | DR | DR | DR | DR | DR | DR | EQ | EQ | EQ | EQ | EQ | EQ |
| 2.2 nF | 222 | | DR | DR | DR | DR | DR | DR | DR | DR | EQ | EQ | EQ | EQ | EQ | EQ |
| 3.3 nF | 332 | | DR | DR | DR | DR | DR | DR | DR | DR | EQ | EQ | EQ | EQ | EQ | EQ |
| 4.7 nF | 472 | | DR | DR | DR | DR | DR | DR | DR | DR | EQ | EQ | EQ | EQ | EQ | EQ |
| 6.8 nF | 682 | | DR | DR | DR | DR | DR | DR | DR | DR | EQ | EQ | EQ | EQ | EQ | EQ |
| 10 nF | 103 | | DR | DR | DR | DR | DR | DR | DR | DR | EQ | EQ | EQ | EQ | EQ | EQ |
| 15 nF | 153 | | DR | DR | DR | DR | DR | DR | DR | DR | EQ | EQ | EQ | EQ | EQ | EQ |
| 22 nF | 223 | | DR | DR | DR | DR | DR | DR | DR | DR | EQ | EQ | EQ | EQ | EQ | EQ |
| 33 nF | 333 | | DS | DS | DS | DS | DS | DS | DS | DS | EQ | EQ | EQ | EQ | EQ | EQ |
| 47 nF | 473 | | DH | DH | DH | DH | DH | DH | DH | DH | ES | ES | ES | ES | ES | ES |
| 68 nF | 683 | | DS | DS | DS | DS | DS | DS | DS | DS | ES | ES | ES | ES | ES | ES |
| 100 nF | 104 | | DE | DE | DE | DE | DE | DE | DE | DE | EM | EM | EM | EM | EM | EM |
| 150 nF | 154 | | DG | DG | DG | DG | DG | DG | DG | DG | EU | EU | EU | EU | EU | EU |
| 220 nF | 224 | | DG | DG | DG | DG | DG | DG | DG | DG | ER | ER | ER | ER | ER | ER |
| 330 nF | 334 | | DD | DD | DD | | | | | | EM | EM | EM | EM | EM | EM |
| 470 nF | 474 | DS | DS | DS | | | | | | EU | EU | EU | EU | EU | EU | |
| 680 nF | 684 | DG | DG | DG | | | | | | ES | ES | ES | | | | |
| 1.0 µF | 105 | DG | DG | | | | | | | ES | ES | ES | | | | |
| 1.5 µF | 155 | DG | | | | | | | | EU | EU | EU | | | | |
| 2.2 µF | 225 | DG | | | | | | | | EU | EU | EU | | | | |

Table 2 – Chip Thickness/Tape & Reel Packaging Quantities

| Thickness Code | Case Size ¹ | Thickness ± Range (mm) | Paper Quantity ¹ | | Plastic Quantity | |
|----------------|------------------------|------------------------|-----------------------------|----------|------------------|----------|
| | | | 7" Reel | 13" Reel | 7" Reel | 13" Reel |
| BB | 0402 | 0.50 ± 0.05 | 10,000 | 50,000 | 0 | 0 |
| CF | 0603 | 0.80 ± 0.07 | 4,000 | 15,000 | 0 | 0 |
| DN | 0805 | 0.78 ± 0.10 | 4,000 | 15,000 | 0 | 0 |
| DP | 0805 | 0.90 ± 0.10 | 4,000 | 15,000 | 0 | 0 |
| DE | 0805 | 1.00 ± 0.10 | 0 | 0 | 2,500 | 10,000 |
| DG | 0805 | 1.25 ± 0.15 | 0 | 0 | 2,500 | 10,000 |
| EB | 1206 | 0.78 ± 0.10 | 0 | 0 | 4,000 | 10,000 |
| EC | 1206 | 0.90 ± 0.10 | 0 | 0 | 4,000 | 10,000 |
| ED | 1206 | 1.00 ± 0.10 | 0 | 0 | 2,500 | 10,000 |
| EM | 1206 | 1.25 ± 0.15 | 0 | 0 | 2,500 | 10,000 |
| EG | 1206 | 1.60 ± 0.15 | 0 | 0 | 2,000 | 8,000 |
| EH | 1206 | 1.60 ± 0.20 | 0 | 0 | 2,000 | 8,000 |

Table 3 – Bulk Packaging Quantities

| Packaging Type | | Loose Packaging | |
|-------------------------------|-------------|--|---------|
| | | Bulk Bag (default) | |
| Packaging C-Spec ¹ | | N/A ² | |
| Case Size | | Packaging Quantities (pieces/unit packaging) | |
| EIA (in) | Metric (mm) | Minimum | Maximum |
| 0402 | 1005 | 1 | 50,000 |
| 0603 | 1608 | | |
| 0805 | 2012 | | |
| 1206 | 3216 | | |
| 1210 | 3225 | | |
| 1808 | 4520 | | 20,000 |
| 1812 | 4532 | | |
| 1825 | 4564 | | |
| 2220 | 5650 | | |
| 2225 | 5664 | | |

¹ The "Packaging C-Spec" is a 4 to 8 digit code which identifies the packaging type and/or product grade. When ordering, the proper code must be included in the 15th through 22nd character positions of the ordering code. See "Ordering Information" section of this document for further details. Commercial grade product ordered without a packaging C-Spec will default to our standard "Bulk Bag" packaging. Contact KEMET if you require a bulk bag packaging option for automotive grade products.

² A packaging C-Spec (see note 1 above) is not required for "Bulk Bag" packaging (excluding Anti-Static Bulk Bag and automotive grade products). The 15th through 22nd character positions of the ordering code should be left blank. All products ordered without a packaging C-Spec will default to our standard "Bulk Bag" packaging.

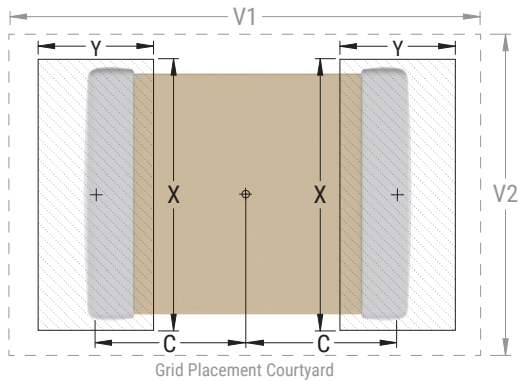
Table 4 – Land Pattern Design Recommendations per IPC-7351

| EIA Size Code | Metric Size Code | Density Level A: Maximum (Most) Land Protrusion (mm) | | | | | Density Level B: Median (Nominal) Land Protrusion (mm) | | | | | Density Level C: Minimum (Least) Land Protrusion (mm) | | | | |
|-------------------------------------|------------------|--|------|------|------|------|--|------|------|------|------|---|------|------|------|------|
| | | C | Y | X | V1 | V2 | C | Y | X | V1 | V2 | C | Y | X | V1 | V2 |
| Without Flexible Termination | | | | | | | | | | | | | | | | |
| 0402 | 1005 | 0.50 | 0.72 | 0.72 | 2.20 | 1.20 | 0.45 | 0.62 | 0.62 | 1.90 | 1.00 | 0.40 | 0.52 | 0.52 | 1.60 | 0.80 |
| 0603 | 1608 | 0.90 | 1.15 | 1.10 | 4.00 | 2.10 | 0.80 | 0.95 | 1.00 | 3.10 | 1.50 | 0.60 | 0.75 | 0.90 | 2.40 | 1.20 |
| 0805 | 2012 | 1.00 | 1.35 | 1.55 | 4.40 | 2.60 | 0.90 | 1.15 | 1.45 | 3.50 | 2.00 | 0.75 | 0.95 | 1.35 | 2.80 | 1.70 |
| 1206 | 3216 | 1.60 | 1.35 | 1.90 | 5.60 | 2.90 | 1.50 | 1.15 | 1.80 | 4.70 | 2.30 | 1.40 | 0.95 | 1.70 | 4.00 | 2.00 |
| With Flexible Termination | | | | | | | | | | | | | | | | |
| 0603 | 1608 | 0.85 | 1.25 | 1.10 | 4.00 | 2.10 | 0.75 | 1.05 | 1.00 | 3.10 | 1.50 | 0.65 | 0.85 | 0.90 | 2.40 | 1.20 |
| 0805 | 2012 | 0.99 | 1.44 | 1.66 | 4.47 | 2.71 | 0.89 | 1.24 | 1.56 | 3.57 | 2.11 | 0.79 | 1.04 | 1.46 | 2.42 | 1.81 |
| 1206 | 3216 | 1.59 | 1.62 | 2.06 | 5.85 | 3.06 | 1.49 | 1.42 | 1.96 | 4.95 | 2.46 | 1.39 | 1.22 | 1.86 | 4.25 | 2.16 |

Density Level A: For low-density product applications. Recommended for wave solder applications and provides a wider process window for reflow solder processes. KEMET only recommends wave soldering of EIA 0603, 0805 and 1206 case sizes.

Density Level B: For products with a moderate level of component density. Provides a robust solder attachment condition for reflow solder processes.

Density Level C: For high component density product applications. Before adapting the minimum land pattern variations the user should perform qualification testing based on the conditions outlined in IPC Standard 7351 (IPC-7351).



Soldering Process

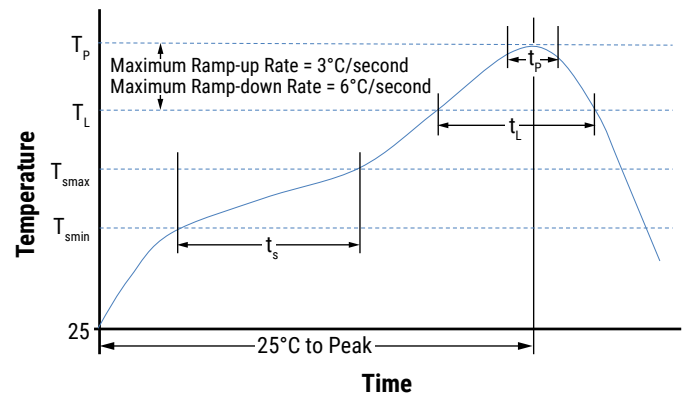
Recommended Soldering Technique

- Solder wave or solder reflow for EIA case sizes 0603, 0805 and 1206
- All other EIA case sizes are limited to solder reflow only

Recommended Reflow Soldering Profile

The KEMET families of surface mount multilayer ceramic capacitors (SMD MLCCs) are compatible with wave (single or dual), convection, IR or vapor phase reflow techniques. Preheating of these components is recommended to avoid extreme thermal stress. KEMET's recommended profile conditions for convection and IR reflow reflect the profile conditions of the IPC/J-STD-020 standard for moisture sensitivity testing. These devices can safely withstand a maximum of three reflow passes at these conditions.

| Profile Feature | Termination Finish |
|---|--------------------|
| | 100% Matte (Sn) |
| Preheat/Soak | |
| Temperature minimum (T_{smin}) | 150°C |
| Temperature maximum (T_{smax}) | 200°C |
| Time (t_s) from T_{smin} to T_{smax} | 60 – 120 seconds |
| Ramp-up rate (T_L to T_p) | 3°C/second maximum |
| Liquidous temperature (T_L) | 217°C |
| Time above liquidous (t_L) | 60 – 150 seconds |
| Peak temperature (T_p) | 260°C |
| Time within 5°C of maximum peak temperature (t_p) | 30 seconds maximum |
| Ramp-down rate (T_p to T_L) | 6°C/second maximum |
| Time 25°C to peak temperature | 8 minutes maximum |



Note: All temperatures refer to the center of the package, measured on the capacitor body surface that is facing up during assembly reflow.

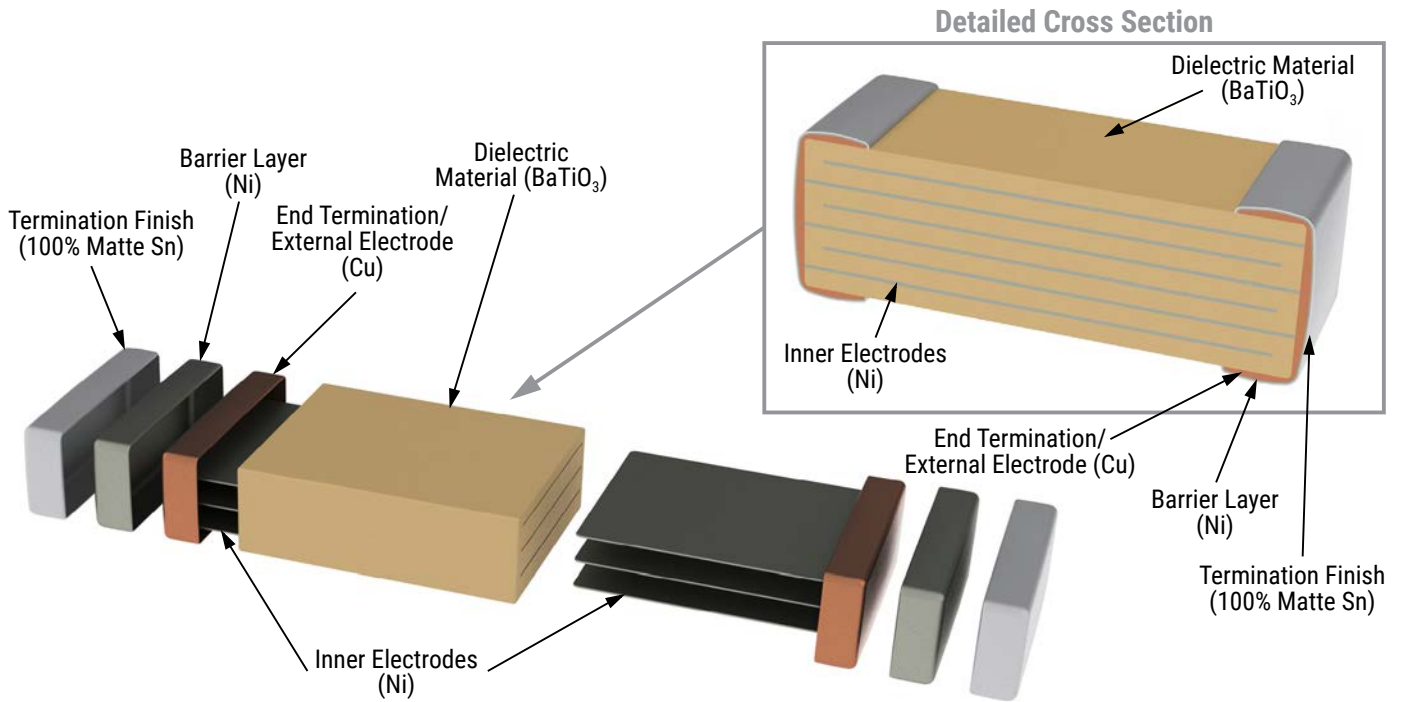
Table 5 – Performance & Reliability: Test Methods and Conditions

| Stress | Reference | Test or Inspection Method | | | | | | | | |
|------------------------|--------------------------------|---|-------------|-----------------|-----------------|---------------|----------|-------|---------------|---------|
| Terminal Strength | JIS-C-6429 | Appendix 1, Note: Force of 1.8 kg for 60 seconds. | | | | | | | | |
| Board Flex | JIS-C-6429 | Appendix 2, Note: Standard termination system – 2.0 mm (minimum) for all except 3 mm for COG. Flexible termination system – 3.0 mm (minimum). | | | | | | | | |
| Solderability | J-STD-002 | Magnification 50 X. Conditions: | | | | | | | | |
| | | a) Method B, 4 hours at 155°C, dry heat at 235°C | | | | | | | | |
| | | b) Method B at 215°C, category 3 | | | | | | | | |
| | | c) Method D, at 260°C, category 3 | | | | | | | | |
| Temperature Cycling | JESD22 Method JA-104 | 1,000 Cycles (-55°C to +125°C). Measurement at 24 hours ±4 hours after test conclusion. | | | | | | | | |
| Biased Humidity | MIL-STD-202 Method 103 | Load humidity: 1,000 hours 85°C/85% RH and rated voltage. Add 100 K ohm resistor. Measurement at 24 hours ±4 hours after test conclusion. | | | | | | | | |
| | | Low volt humidity: 1,000 hours 85°C/85% RH and 1.5 V. Add 100 K ohm resistor. Measurement at 24 hours ±4 hours after test conclusion. | | | | | | | | |
| Moisture Resistance | MIL-STD-202 Method 106 | t = 24 hours/cycle. Steps 7a and 7b not required. Measurement at 24 hours ±4 hours after test conclusion. | | | | | | | | |
| Thermal Shock | MIL-STD-202 Method 107 | -55°C/+125°C. Note: Number of cycles required – 300. Maximum transfer time – 20 seconds. Dwell time – 15 minutes. Air – Air. | | | | | | | | |
| High Temperature Life | MIL-STD-202 Method 108/EIA-198 | 1,000 hours at 125°C with 2 X rated voltage applied excluding the following: | | | | | | | | |
| | | <table border="1"> <thead> <tr> <th>Case Size</th> <th>Capacitance</th> <th>Applied Voltage</th> </tr> </thead> <tbody> <tr> <td>0603 and 0805</td> <td>≥ 1.0 µF</td> <td rowspan="2">1.5 X</td> </tr> <tr> <td>1206 and 1210</td> <td>≥ 10 µF</td> </tr> </tbody> </table> | Case Size | Capacitance | Applied Voltage | 0603 and 0805 | ≥ 1.0 µF | 1.5 X | 1206 and 1210 | ≥ 10 µF |
| | | Case Size | Capacitance | Applied Voltage | | | | | | |
| 0603 and 0805 | ≥ 1.0 µF | 1.5 X | | | | | | | | |
| 1206 and 1210 | ≥ 10 µF | | | | | | | | | |
| | | | | | | | | | | |
| Storage Life | MIL-STD-202 Method 108 | 150°C, 0 VDC for 1,000 hours. | | | | | | | | |
| Vibration | MIL-STD-202 Method 204 | 5 g's for 20 minutes, 12 cycles each of 3 orientations. Note: use 8" X 5" PCB 0.031" thick 7 secure points on one long side and 2 secure points at corners of opposite sides. Parts mounted within 2" from any secure point. Test from 10 – 2,000 Hz | | | | | | | | |
| Mechanical Shock | MIL-STD-202 Method 213 | Figure 1 of Method 213, Condition F. | | | | | | | | |
| Resistance to Solvents | MIL-STD-202 Method 215 | Add aqueous wash chemical, OKEM Clean or equivalent. | | | | | | | | |

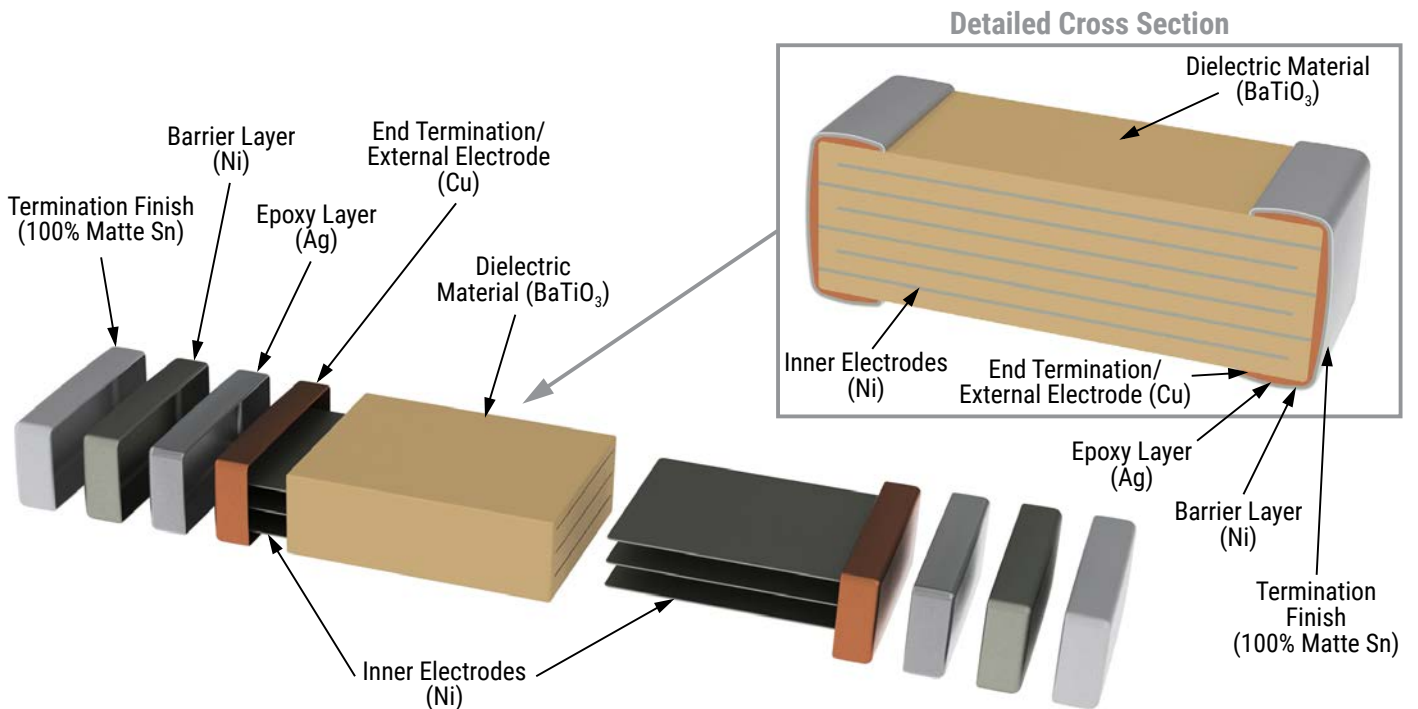
Storage and Handling

Ceramic chip capacitors should be stored in normal working environments. While the chips themselves are quite robust in other environments, solderability will be degraded by exposure to high temperatures, high humidity, corrosive atmospheres, and long term storage. In addition, packaging materials will be degraded by high temperature – reels may soften or warp and tape peel force may increase. KEMET recommends that maximum storage temperature not exceed 40°C and maximum storage humidity not exceed 70% relative humidity. Temperature fluctuations should be minimized to avoid condensation on the parts and atmospheres should be free of chlorine and sulfur bearing compounds. For optimized solderability chip stock should be used promptly, preferably within 1.5 years of receipt.

Construction – Standard Termination



Construction – Flexible Termination



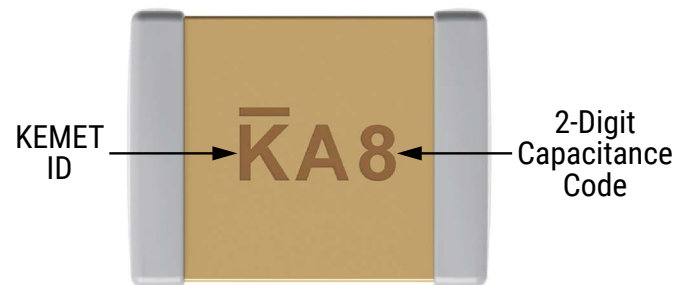
Capacitor Marking (Optional)

These surface mount multilayer ceramic capacitors are normally supplied unmarked. If required, they can be marked as an extra cost option. Marking is available on most KEMET devices, but must be requested using the correct ordering code identifier(s). If this option is requested, two sides of the ceramic body will be laser marked with a “K” to identify KEMET, followed by two characters (per EIA-198 - see table below) to identify the capacitance value. EIA 0603 case size devices are limited to the “K” character only.

Laser marking option is not available on:

- C0G, ultra stable X8R and Y5V dielectric devices.
- EIA 0402 case size devices.
- EIA 0603 case size devices with flexible termination option.
- KPS commercial and automotive grade stacked devices.
- X7R dielectric products in capacitance values outlined below.

Marking appears in legible contrast. Illustrated below is an example of an MLCC with laser marking of “KA8”, which designates a KEMET device with rated capacitance of 100 μ F. Orientation of marking is vendor optional.



| EIA Case Size | Metric Size Code | Capacitance |
|---------------|------------------|----------------------|
| 0603 | 1608 | ≤ 170 pF |
| 0805 | 2012 | ≤ 150 pF |
| 1206 | 3216 | ≤ 910 pF |
| 1210 | 3225 | $\leq 2,000$ pF |
| 1808 | 4520 | $\leq 3,900$ pF |
| 1812 | 4532 | $\leq 6,700$ pF |
| 1825 | 4564 | ≤ 0.018 μ F |
| 2220 | 5650 | ≤ 0.027 μ F |
| 2225 | 5664 | ≤ 0.033 μ F |

Capacitor Marking (Optional) cont.

| Capacitance (pF) For Various Alpha/Numeral Identifiers | | | | | | | | | | |
|--|---------|-----|----|-----|-------|--------|---------|-----------|------------|-------------|
| Alpha Character | Numeral | | | | | | | | | |
| | 9 | 0 | 1 | 2 | 3 | 4 | 5 | 6 | 7 | 8 |
| Capacitance (pF) | | | | | | | | | | |
| A | 0.10 | 1.0 | 10 | 100 | 1,000 | 10,000 | 100,000 | 1,000,000 | 10,000,000 | 100,000,000 |
| B | 0.11 | 1.1 | 11 | 110 | 1,100 | 11,000 | 110,000 | 1,100,000 | 11,000,000 | 110,000,000 |
| C | 0.12 | 1.2 | 12 | 120 | 1,200 | 12,000 | 120,000 | 1,200,000 | 12,000,000 | 120,000,000 |
| D | 0.13 | 1.3 | 13 | 130 | 1,300 | 13,000 | 130,000 | 1,300,000 | 13,000,000 | 130,000,000 |
| E | 0.15 | 1.5 | 15 | 150 | 1,500 | 15,000 | 150,000 | 1,500,000 | 15,000,000 | 150,000,000 |
| F | 0.16 | 1.6 | 16 | 160 | 1,600 | 16,000 | 160,000 | 1,600,000 | 16,000,000 | 160,000,000 |
| G | 0.18 | 1.8 | 18 | 180 | 1,800 | 18,000 | 180,000 | 1,800,000 | 18,000,000 | 180,000,000 |
| H | 0.20 | 2.0 | 20 | 200 | 2,000 | 20,000 | 200,000 | 2,000,000 | 20,000,000 | 200,000,000 |
| J | 0.22 | 2.2 | 22 | 220 | 2,200 | 22,000 | 220,000 | 2,200,000 | 22,000,000 | 220,000,000 |
| K | 0.24 | 2.4 | 24 | 240 | 2,400 | 24,000 | 240,000 | 2,400,000 | 24,000,000 | 240,000,000 |
| L | 0.27 | 2.7 | 27 | 270 | 2,700 | 27,000 | 270,000 | 2,700,000 | 27,000,000 | 270,000,000 |
| M | 0.30 | 3.0 | 30 | 300 | 3,000 | 30,000 | 300,000 | 3,000,000 | 30,000,000 | 300,000,000 |
| N | 0.33 | 3.3 | 33 | 330 | 3,300 | 33,000 | 330,000 | 3,300,000 | 33,000,000 | 330,000,000 |
| P | 0.36 | 3.6 | 36 | 360 | 3,600 | 36,000 | 360,000 | 3,600,000 | 36,000,000 | 360,000,000 |
| Q | 0.39 | 3.9 | 39 | 390 | 3,900 | 39,000 | 390,000 | 3,900,000 | 39,000,000 | 390,000,000 |
| R | 0.43 | 4.3 | 43 | 430 | 4,300 | 43,000 | 430,000 | 4,300,000 | 43,000,000 | 430,000,000 |
| S | 0.47 | 4.7 | 47 | 470 | 4,700 | 47,000 | 470,000 | 4,700,000 | 47,000,000 | 470,000,000 |
| T | 0.51 | 5.1 | 51 | 510 | 5,100 | 51,000 | 510,000 | 5,100,000 | 51,000,000 | 510,000,000 |
| U | 0.56 | 5.6 | 56 | 560 | 5,600 | 56,000 | 560,000 | 5,600,000 | 56,000,000 | 560,000,000 |
| V | 0.62 | 6.2 | 62 | 620 | 6,200 | 62,000 | 620,000 | 6,200,000 | 62,000,000 | 620,000,000 |
| W | 0.68 | 6.8 | 68 | 680 | 6,800 | 68,000 | 680,000 | 6,800,000 | 68,000,000 | 680,000,000 |
| X | 0.75 | 7.5 | 75 | 750 | 7,500 | 75,000 | 750,000 | 7,500,000 | 75,000,000 | 750,000,000 |
| Y | 0.82 | 8.2 | 82 | 820 | 8,200 | 82,000 | 820,000 | 8,200,000 | 82,000,000 | 820,000,000 |
| Z | 0.91 | 9.1 | 91 | 910 | 9,100 | 91,000 | 910,000 | 9,100,000 | 91,000,000 | 910,000,000 |
| a | 0.25 | 2.5 | 25 | 250 | 2,500 | 25,000 | 250,000 | 2,500,000 | 25,000,000 | 250,000,000 |
| b | 0.35 | 3.5 | 35 | 350 | 3,500 | 35,000 | 350,000 | 3,500,000 | 35,000,000 | 350,000,000 |
| d | 0.40 | 4.0 | 40 | 400 | 4,000 | 40,000 | 400,000 | 4,000,000 | 40,000,000 | 400,000,000 |
| e | 0.45 | 4.5 | 45 | 450 | 4,500 | 45,000 | 450,000 | 4,500,000 | 45,000,000 | 450,000,000 |
| f | 0.50 | 5.0 | 50 | 500 | 5,000 | 50,000 | 500,000 | 5,000,000 | 50,000,000 | 500,000,000 |
| m | 0.60 | 6.0 | 60 | 600 | 6,000 | 60,000 | 600,000 | 6,000,000 | 60,000,000 | 600,000,000 |
| n | 0.70 | 7.0 | 70 | 700 | 7,000 | 70,000 | 700,000 | 7,000,000 | 70,000,000 | 700,000,000 |
| t | 0.80 | 8.0 | 80 | 800 | 8,000 | 80,000 | 800,000 | 8,000,000 | 80,000,000 | 800,000,000 |
| y | 0.90 | 9.0 | 90 | 900 | 9,000 | 90,000 | 900,000 | 9,000,000 | 90,000,000 | 900,000,000 |

Tape & Reel Packaging Information

KEMET offers multilayer ceramic chip capacitors packaged in 8, 12 and 16 mm tape on 7" and 13" reels in accordance with EIA Standard 481. This packaging system is compatible with all tape-fed automatic pick and place systems. See Table 2 for details on reeling quantities for commercial chips.

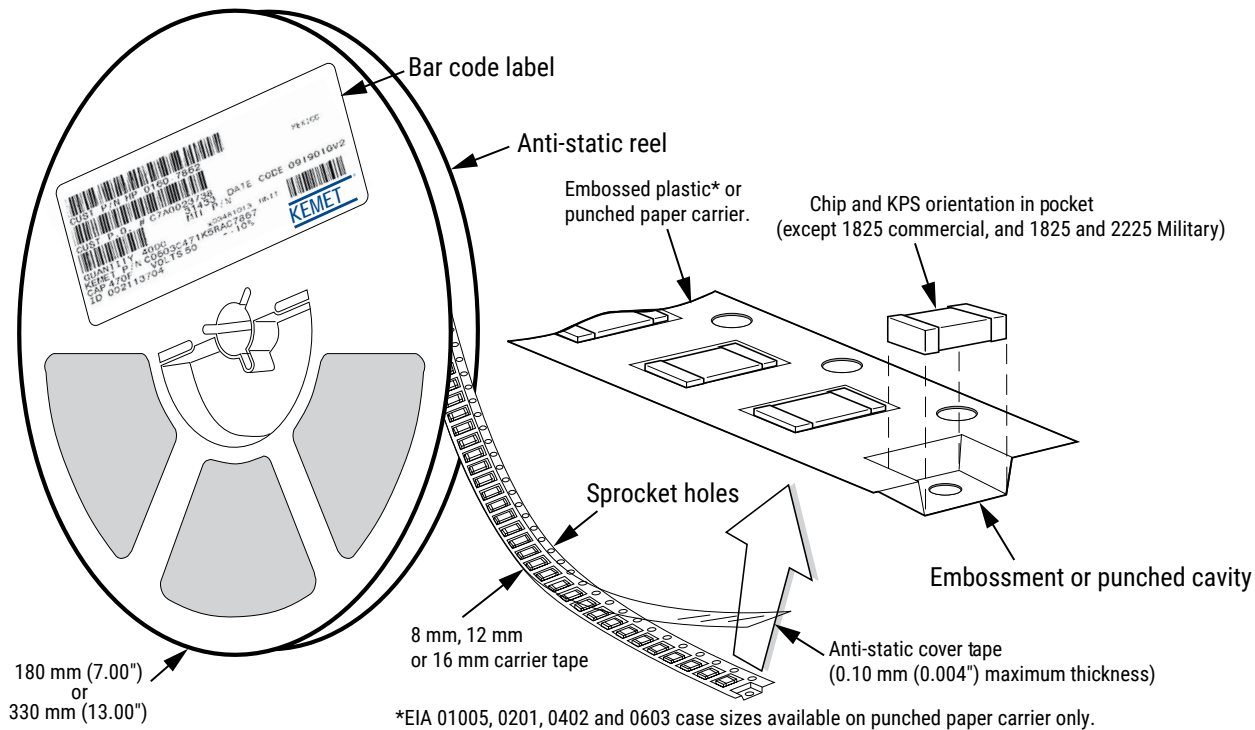


Table 6 – Carrier Tape Configuration, Embossed Plastic & Punched Paper (mm)

| EIA Case Size | Tape Size (W)* | Embossed Plastic | | Punched Paper | |
|-------------------|----------------|--------------------------|----------|--------------------------|----------|
| | | 7" Reel | 13" Reel | 7" Reel | 13" Reel |
| | | Pitch (P ₁)* | | Pitch (P ₁)* | |
| 01005 – 0402 | 8 | | | 2 | 2 |
| 0603 | 8 | | | 2/4 | 2/4 |
| 0805 | 8 | 4 | 4 | 4 | 4 |
| 1206 – 1210 | 8 | 4 | 4 | 4 | 4 |
| 1805 – 1808 | 12 | 4 | 4 | | |
| ≥ 1812 | 12 | 8 | 8 | | |
| KPS 1210 | 12 | 8 | 8 | | |
| KPS 1812 and 2220 | 16 | 12 | 12 | | |
| Array 0612 | 8 | 4 | 4 | | |

New 2 mm Pitch Reel Options*

| Packaging Ordering Code (C-Spec) | Packaging Type/Options |
|----------------------------------|------------------------------------|
| C-3190 | Automotive grade 7" reel unmarked |
| C-3191 | Automotive grade 13" reel unmarked |
| C-7081 | Commercial grade 7" reel unmarked |
| C-7082 | Commercial grade 13" reel unmarked |

* 2 mm pitch reel only available for 0603 EIA case size.
2 mm pitch reel for 0805 EIA case size under development.

Benefits of Changing from 4 mm to 2 mm Pitching Spacing

- Lower placement costs.
- Double the parts on each reel results in fewer reel changes and increased efficiency.
- Fewer reels result in lower packaging, shipping and storage costs, reducing waste.

*Refer to Figures 1 and 2 for W and P₁ carrier tape reference locations.

*Refer to Tables 6 and 7 for tolerance specifications.

Figure 1 – Embossed (Plastic) Carrier Tape Dimensions



Table 7 – Embossed (Plastic) Carrier Tape Dimensions
Metric will govern

| Constant Dimensions – Millimeters (Inches) | | | | | | | | | | |
|--|---------------------------------------|----------------------------------|------------------------------|-----------------------------|------------------------------|---------------------------|----------------------------------|--|---------------------------|---------------|
| Tape Size | D ₀ | D ₁ Minimum Note 1 | E ₁ | P ₀ | P ₂ | R Reference Note 2 | S ₁ Minimum Note 3 | T Maximum | T ₁ Maximum | |
| 8 mm | 1.5 +0.10/-0.0 (0.059 +0.004/-0.0) | 1.0 (0.039) | 1.75 ±0.10 (0.069 ±0.004) | 4.0 ±0.10 (0.157 ±0.004) | 2.0 ±0.05 (0.079 ±0.002) | 25.0 (0.984) | 0.600 (0.024) | 0.600 (0.024) | 0.100 (0.004) | |
| 12 mm | | 1.5 (0.059) | | | | | | | | 30 (1.181) |
| 16 mm | | | | | | | | | | |
| Variable Dimensions – Millimeters (Inches) | | | | | | | | | | |
| Tape Size | Pitch | B ₁ Maximum Note 4 | E ₂ Minimum | F | P ₁ | T ₂ Maximum | W Maximum | A ₀ , B ₀ & K ₀ | | |
| 8 mm | Single (4 mm) | 4.35 (0.171) | 6.25 (0.246) | 3.5 ±0.05 (0.138 ±0.002) | 4.0 ±0.10 (0.157 ±0.004) | 2.5 (0.098) | 8.3 (0.327) | Note 5 | | |
| 12 mm | Single (4 mm) and Double (8 mm) | 8.2 (0.323) | 10.25 (0.404) | 5.5 ±0.05 (0.217 ±0.002) | 8.0 ±0.10 (0.315 ±0.004) | 4.6 (0.181) | 12.3 (0.484) | | | |
| 16 mm | Triple (12 mm) | 12.1 (0.476) | 14.25 (0.561) | 7.5 ±0.05 (0.138 ±0.002) | 12.0 ±0.10 (0.157 ±0.004) | 4.6 (0.181) | 16.3 (0.642) | | | |

1. The embossment hole location shall be measured from the sprocket hole controlling the location of the embossment. Dimensions of embossment location and hole location shall be applied independent of each other.
2. The tape with or without components shall pass around R without damage (see Figure 6.)
3. If S₁ < 1.0 mm, there may not be enough area for cover tape to be properly applied (see EIA Standard 481, paragraph 4.3, section b.)
4. B₁ dimension is a reference dimension for tape feeder clearance only.
5. The cavity defined by A₀, B₀ and K₀ shall surround the component with sufficient clearance that:
 - (a) the component does not protrude above the top surface of the carrier tape.
 - (b) the component can be removed from the cavity in a vertical direction without mechanical restriction, after the top cover tape has been removed.
 - (c) rotation of the component is limited to 20° maximum for 8 and 12 mm tapes, and 10° maximum for 16 mm tapes (see Figure 3.)
 - (d) lateral movement of the component is restricted to 0.5 mm maximum for 8 and 12 mm wide tape, and to 1.0 mm maximum for 16 mm tape (see Figure 4.)
 - (e) for KPS product, A₀ and B₀ are measured on a plane 0.3 mm above the bottom of the pocket.
 - (f) see addendum in EIA Standard 481 for standards relating to more precise taping requirements.

Figure 2 – Punched (Paper) Carrier Tape Dimensions

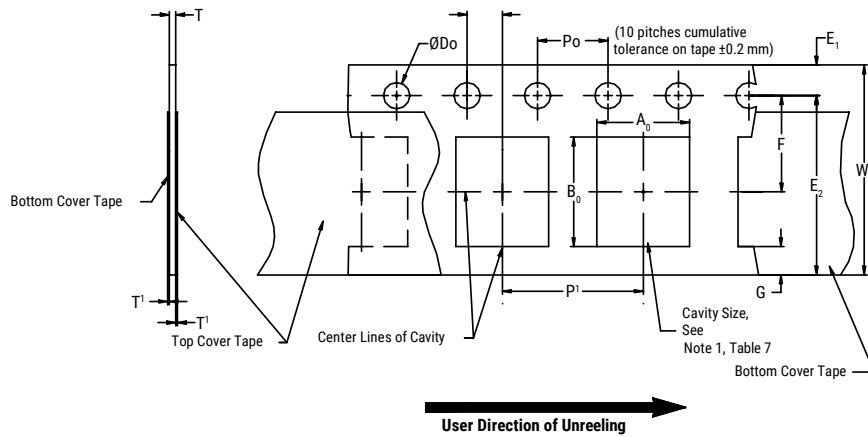


Table 8 – Punched (Paper) Carrier Tape Dimensions

Metric will govern

| Constant Dimensions – Millimeters (Inches) | | | | | | | |
|--|---|-----------------------------------|----------------------------------|----------------------------------|----------------------------|-----------------|--------------------|
| Tape Size | D_0 | E_1 | P_0 | P_2 | T_1 Maximum | G Minimum | R Reference Note 2 |
| 8 mm | $1.5 +0.10 -0.0$ (0.059 +0.004 -0.0) | 1.75 ± 0.10 (0.069 ±0.004) | 4.0 ± 0.10 (0.157 ±0.004) | 2.0 ± 0.05 (0.079 ±0.002) | 0.10 (0.004) maximum | 0.75 (0.030) | 25 (0.984) |
| Variable Dimensions – Millimeters (Inches) | | | | | | | |
| Tape Size | Pitch | E2 Minimum | F | P_1 | T Maximum | W Maximum | $A_0 B_0$ |
| 8 mm | Half (2 mm) | 6.25 (0.246) | 3.5 ± 0.05 (0.138 ±0.002) | 2.0 ± 0.05 (0.079 ±0.002) | 1.1 (0.098) | 8.3 (0.327) | Note 1 |
| 8 mm | Single (4 mm) | | | 4.0 ± 0.10 (0.157 ±0.004) | | | |

- The cavity defined by A_0 , B_0 and T shall surround the component with sufficient clearance that:
 - the component does not protrude beyond either surface of the carrier tape.
 - the component can be removed from the cavity in a vertical direction without mechanical restriction, after the top cover tape has been removed.
 - rotation of the component is limited to 20° maximum (see Figure 3.)
 - lateral movement of the component is restricted to 0.5 mm maximum (see Figure 4.)
 - see addendum in EIA Standard 481 for standards relating to more precise taping requirements.
- The tape with or without components shall pass around R without damage (see Figure 6.)

Packaging Information Performance Notes

- Cover Tape Break Force:** 1.0 kg minimum.
- Cover Tape Peel Strength:** The total peel strength of the cover tape from the carrier tape shall be:

| Tape Width | Peel Strength |
|--------------|----------------------------------|
| 8 mm | 0.1 to 1.0 newton (10 to 100 gf) |
| 12 and 16 mm | 0.1 to 1.3 newton (10 to 130 gf) |

The direction of the pull shall be opposite the direction of the carrier tape travel. The pull angle of the carrier tape shall be 165° to 180° from the plane of the carrier tape. During peeling, the carrier and/or cover tape shall be pulled at a velocity of 300 ±10 mm/minute.

- Labeling:** Bar code labeling (standard or custom) shall be on the side of the reel opposite the sprocket holes. Refer to EIA Standards 556 and 624.

Figure 3 – Maximum Component Rotation

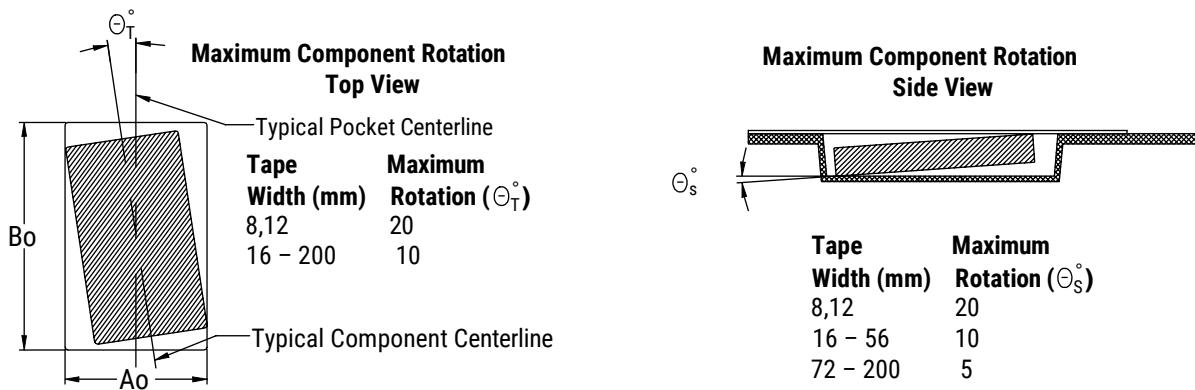


Figure 4 – Maximum Lateral Movement

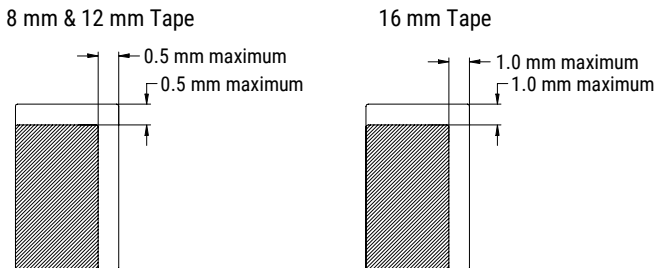


Figure 5 – Bending Radius

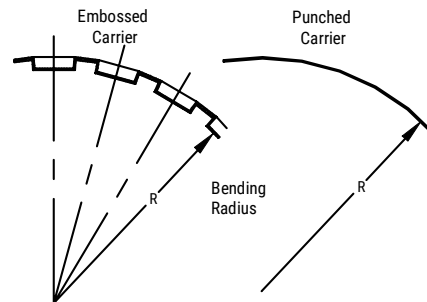
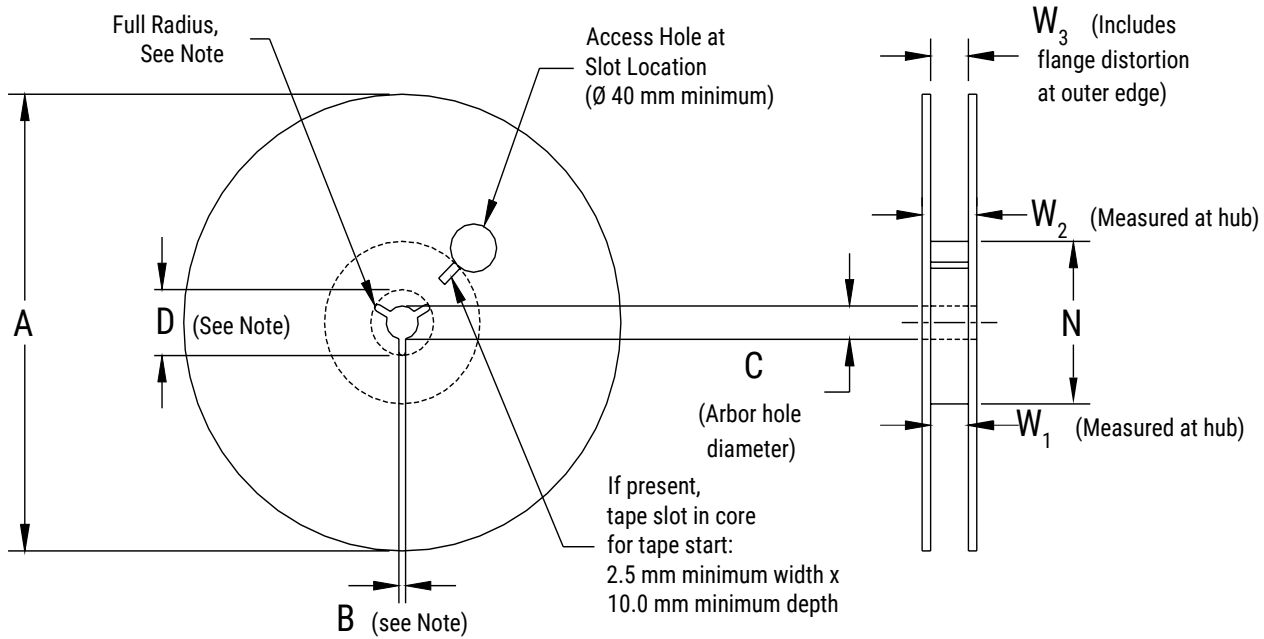


Figure 6 – Reel Dimensions



Note: Drive spokes optional; if used, dimensions B and D shall apply.

Table 9 – Reel Dimensions

Metric will govern

| Constant Dimensions – Millimeters (Inches) | | | | |
|--|---|---------------------------------------|--|---|
| Tape Size | A | B Minimum | C | D Minimum |
| 8 mm | 178 ±0.20 (7.008 ±0.008) or 330 ±0.20 (13.000 ±0.008) | 1.5 (0.059) | 13.0 +0.5/-0.2 (0.521 +0.02/-0.008) | 20.2 (0.795) |
| 12 mm | | | | |
| 16 mm | | | | |
| Variable Dimensions – Millimeters (Inches) | | | | |
| Tape Size | N Minimum | W ₁ | W ₂ Maximum | W ₃ |
| 8 mm | 50 (1.969) | 8.4 +1.5/-0.0 (0.331 +0.059/-0.0) | 14.4 (0.567) | Shall accommodate tape width without interference |
| 12 mm | | 12.4 +2.0/-0.0 (0.488 +0.078/-0.0) | 18.4 (0.724) | |
| 16 mm | | 16.4 +2.0/-0.0 (0.646 +0.078/-0.0) | 22.4 (0.882) | |

Figure 7 – Tape Leader & Trailer Dimensions

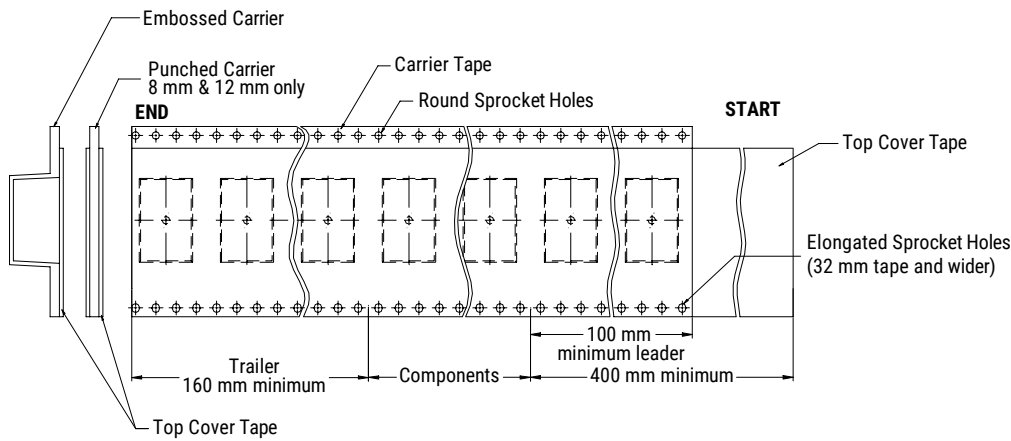


Figure 8 – Maximum Camber



KEMET Electronics Corporation Sales Offices

For a complete list of our global sales offices, please visit www.kemet.com/sales.

Disclaimer

All product specifications, statements, information and data (collectively, the "Information") in this datasheet are subject to change. The customer is responsible for checking and verifying the extent to which the Information contained in this publication is applicable to an order at the time the order is placed. All Information given herein is believed to be accurate and reliable, but it is presented without guarantee, warranty, or responsibility of any kind, expressed or implied.

Statements of suitability for certain applications are based on KEMET Electronics Corporation's ("KEMET") knowledge of typical operating conditions for such applications, but are not intended to constitute – and KEMET specifically disclaims – any warranty concerning suitability for a specific customer application or use. The Information is intended for use only by customers who have the requisite experience and capability to determine the correct products for their application. Any technical advice inferred from this Information or otherwise provided by KEMET with reference to the use of KEMET's products is given gratis, and KEMET assumes no obligation or liability for the advice given or results obtained.

Although KEMET designs and manufactures its products to the most stringent quality and safety standards, given the current state of the art, isolated component failures may still occur. Accordingly, customer applications which require a high degree of reliability or safety should employ suitable designs or other safeguards (such as installation of protective circuitry or redundancies) in order to ensure that the failure of an electrical component does not result in a risk of personal injury or property damage.

Although all product-related warnings, cautions and notes must be observed, the customer should not assume that all safety measures are indicated or that other measures may not be required.

KEMET is a registered trademark of KEMET Electronics Corporation.

单击下面可查看定价，库存，交付和生命周期等信息

[>>KEMET\(基美\)](#)