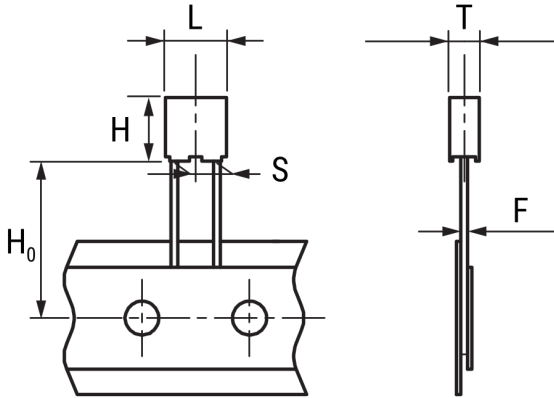


PHE426MJ5150JR17T0

Aliases (F426JT153J630L, PHE426MJ5150JJ05R17T0)

PHE426/F426, Film, Metallized Polypropylene, General Purpose, 0.015 uF, 5%, 630 VDC, 85°C, Lead Spacing = 5mm



Click [here](#) for the 3D model.

Dimensions

L	7.2mm MAX
H	11mm MAX
T	6mm MAX
S	5mm +0.6/-0.1mm
H0	17mm NOM
F	0.5mm NOM

Packaging Specifications

Packaging	T&R
Packaging Quantity	1000

General Information

Series	PHE426/F426
Dielectric	Metallized Polypropylene
Style	Radial
Features	Pulse
RoHS	Yes
Lead	Wire Leads
AEC-Q200	No
Notes	Not For New Design, Please Check Possible Alternative Parts (AltPart).

Specifications

Capacitance	0.015 uF
Capacitance Tolerance	5%
Voltage AC	250 VAC
Voltage DC	630 VDC, 466 VDC (105C)
Temperature Range	-55/+105°C
Rated Temperature	85°C
Dissipation Factor	0.05% 1kHz, 0.25% 100kHz
Insulation Resistance	100 GOhms
Max dV/dt	30 V/us
Inductance	6 nH

单击下面可查看定价，库存，交付和生命周期等信息

[>>KEMET\(基美\)](#)