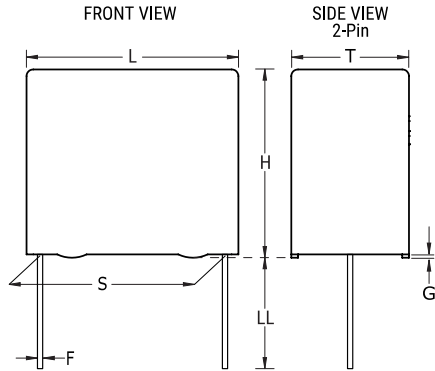


F611, Film, Metallized Polyester, General Purpose, 0.01 uF, 10%, 630 VDC, 85°C, Lead Spacing = 5mm



Dimensions	
L	7.2mm -0.5mm
H	7.5mm -0.5mm
T	3.5mm -0.5mm
S	5mm +/-0.4mm
LL	4mm +2mm
F	0.5mm +/-0.05mm
G	0.5mm NOM

Packaging Specifications	
Packaging:	Bulk
Packaging Quantity:	2000

General Information	
Series:	F611
Dielectric:	Metallized Polyester
Style:	Radial
Features:	MKT (Wound), DC Multipurpose Applications
RoHS:	Yes
Lead:	Wire Leads
AEC-Q200:	No
Miscellaneous:	The Rated Voltage Decreases 1.25%/C Between +85C And +105C (For +125C, Please Consult Kemet). ClimCat: 55/105/56.

Specifications	
Capacitance:	0.01 uF
Capacitance Tolerance:	10%
Voltage AC:	220 VAC
Voltage DC:	630 VDC, 472.5 VDC (105C)
Temperature Range:	-55/+105°C
Rated Temperature:	85°C
Dissipation Factor:	0.8% 1kHz, 1.2% 10kHz, 2.5% 100kHz
Insulation Resistance:	30 GOhms
Max dV/dt:	80 V/us
Inductance:	6 nH

Statements of suitability for certain applications are based on our knowledge of typical operating conditions for such applications, but are not intended to constitute - and we specifically disclaim - any warranty concerning suitability for a specific customer application or use. This Information is intended for use only by customers who have the requisite experience and capability to determine the correct products for their application. Any technical advice inferred from this Information or otherwise provided by us with reference to the use of our products is given gratis, and we assume no obligation or liability for the advice given or results obtained.

单击下面可查看定价，库存，交付和生命周期等信息

[>>KEMET\(基美\)](#)