

Overview

FAM – AV is a range of compact, PCB mountable EMI filters with metal enclosure and are sealed with self-extinguishing resin. Current ratings 3.3 A and 16 A, with high performance to size ratio.

Applications

Typical applications include industrial equipment, consumer electronics, low power SMPS, and other office equipment.

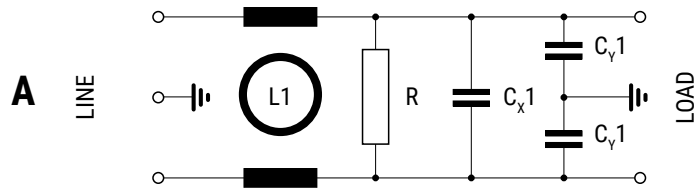


Technical Specifications

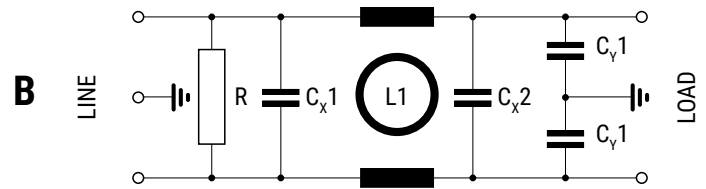
Item	Parameters/ Characteristics
Rated Voltage	250 VAC
Rated Frequency	50 – 60 Hz
Rated Current	3.3 – 16 A
Rated Temperature	40°C
Temperature range	-25 °C to 85 °C
Climate Category	25/085/21
Voltage Test	P → P 1,700 VDC P → E 3,000 VDC

Technical Specifications cont.

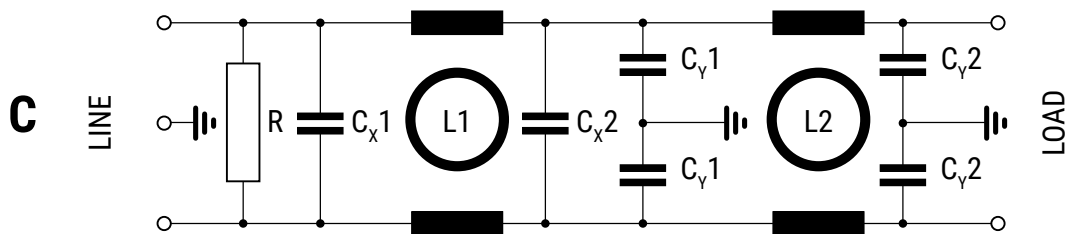
Typical Electrical Schematic: A



Typical Electrical Schematic: B



Typical Electrical Schematic: C



Part Number	Rated Current at 40°C (A)	C _{x1} (μF)	L1 (mH)	C _{y1} (nF)	C _{x2} (μF)	L2 (mH)	C _{y2} (nF)	R (MΩ)	Leakage Current (mA)	Circuit Diagram
FAMAV3600ZC010	16	0.6	2x1	2x2.5	-	-	-	1	0.20	A
FAMAV3600ZI010	16	0.6	2x1	2x6.8	-	-	-	1	0.53	A
FAMAV3940ZA	3.3	0.47	2x13	2x6.8	0.47	-	-	0.33	0.53	B
FAMAV3940ZB001	3.3	0.47	2x13	2x6.8	0.47	2x1	2x1	0.68	0.61	C

Approvals

Standard	Certification Body	File Number
IEC/EN 60939-2	VDE	40031548

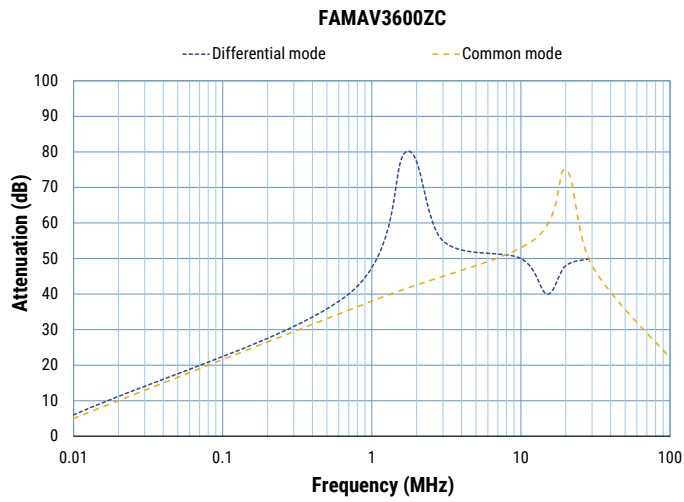
Environmental Compliance

KEMET EMI filters are RoHS Compliant.

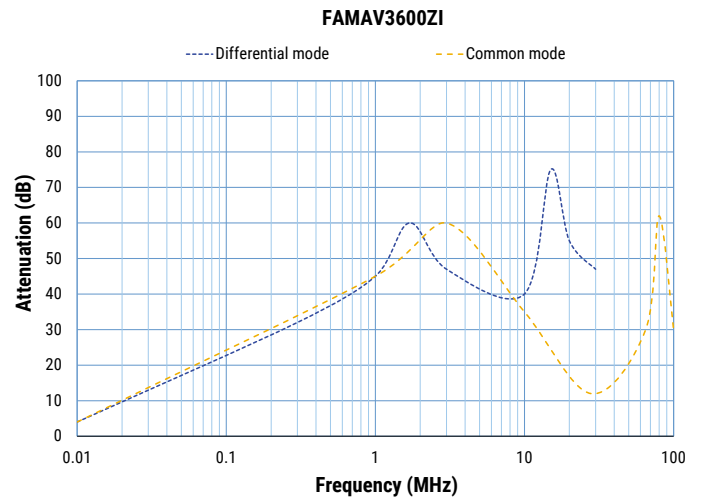


Typical Insertion Graphs

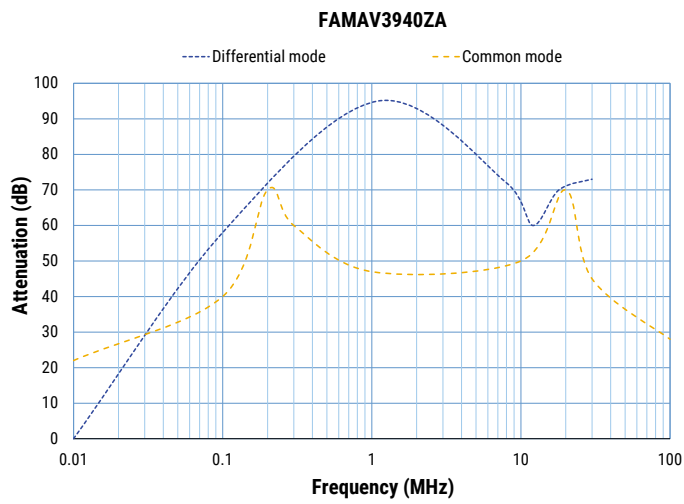
FAMAV3600ZC010



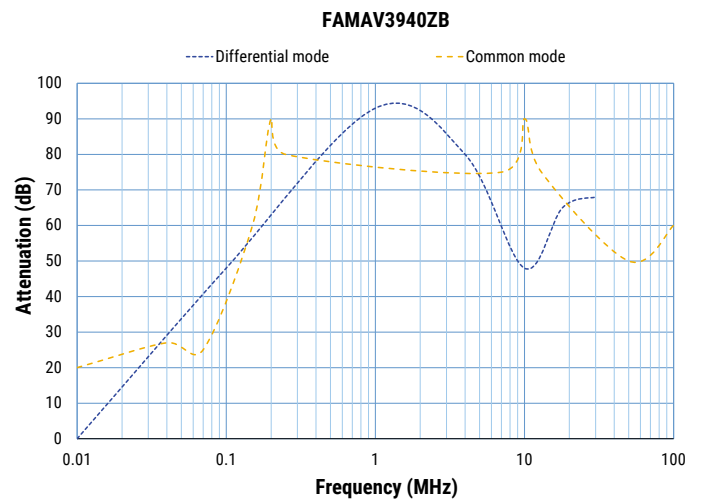
FAMAV3600ZI010



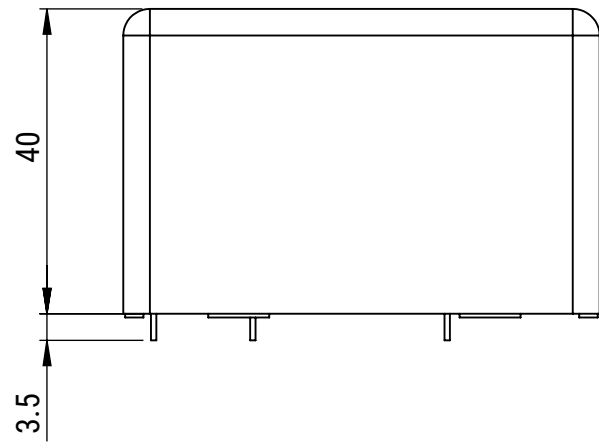
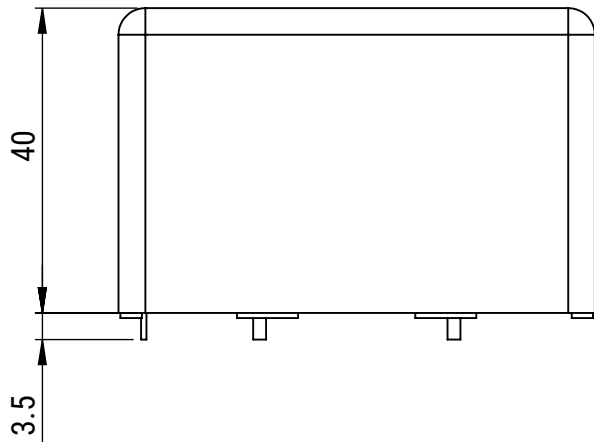
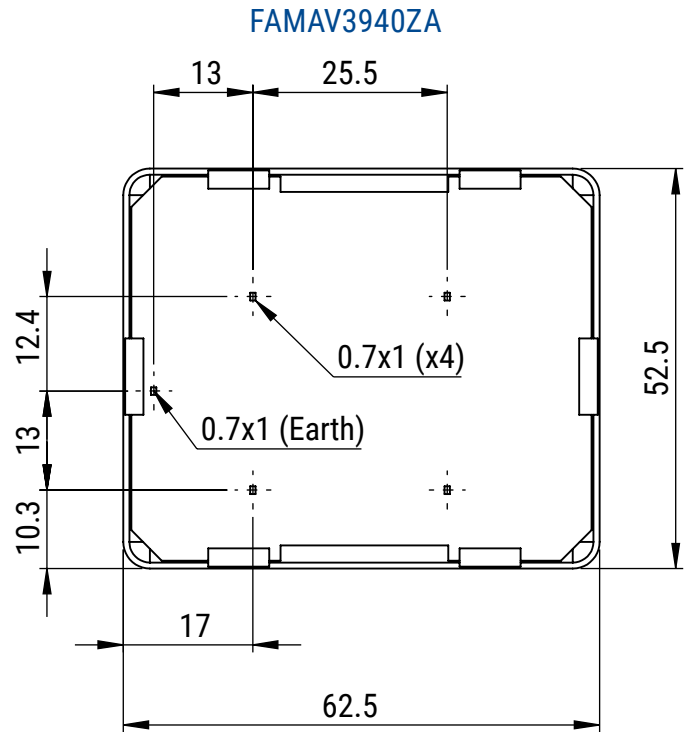
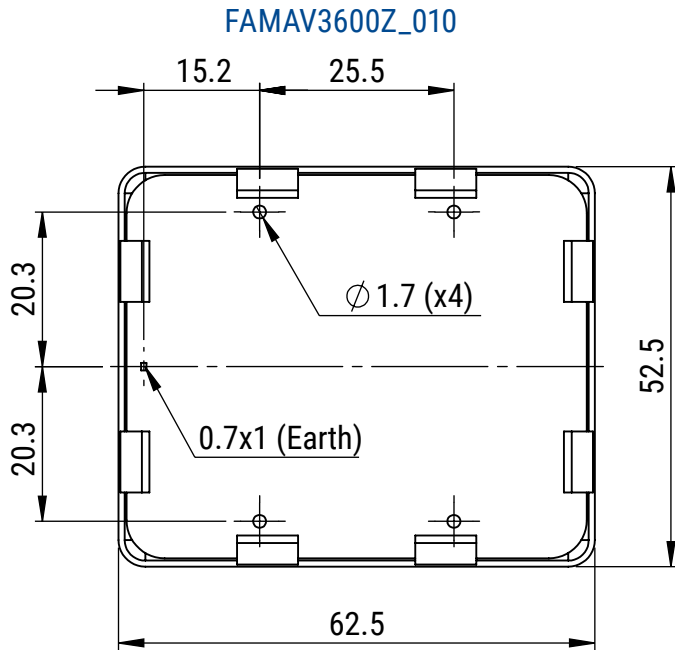
FAMAV3940ZA



FAMAV3940ZB001

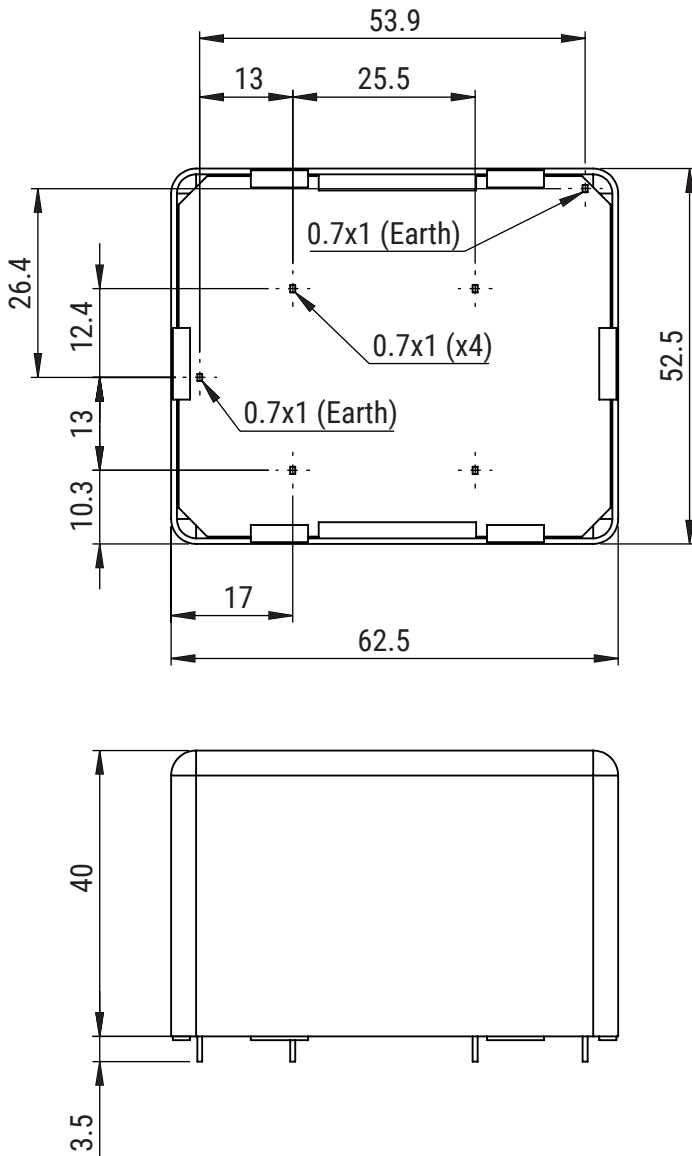


Mechanical Dimensions - Millimeters



Mechanical Dimensions – Millimeters cont.

FAMAV3940ZB001



KEMET Electronics Corporation Sales Offices

For a complete list of our global sales offices, please visit www.kemet.com/sales.

Disclaimer

All product specifications, statements, information and data (collectively, the "Information") in this datasheet are subject to change. The customer is responsible for checking and verifying the extent to which the Information contained in this publication is applicable to an order at the time the order is placed. All Information given herein is believed to be accurate and reliable, but it is presented without guarantee, warranty, or responsibility of any kind, expressed or implied.

Statements of suitability for certain applications are based on KEMET Electronics Corporation's ("KEMET") knowledge of typical operating conditions for such applications, but are not intended to constitute – and KEMET specifically disclaims – any warranty concerning suitability for a specific customer application or use. The Information is intended for use only by customers who have the requisite experience and capability to determine the correct products for their application. Any technical advice inferred from this Information or otherwise provided by KEMET with reference to the use of KEMET's products is given gratis, and KEMET assumes no obligation or liability for the advice given or results obtained.

Although KEMET designs and manufactures its products to the most stringent quality and safety standards, given the current state of the art, isolated component failures may still occur. Accordingly, customer applications which require a high degree of reliability or safety should employ suitable designs or other safeguards (such as installation of protective circuitry or redundancies) in order to ensure that the failure of an electrical component does not result in a risk of personal injury or property damage.

Although all product-related warnings, cautions and notes must be observed, the customer should not assume that all safety measures are indicated or that other measures may not be required.

KEMET is a registered trademark of KEMET Electronics Corporation.

单击下面可查看定价，库存，交付和生命周期等信息

[>>KEMET\(基美\)](#)