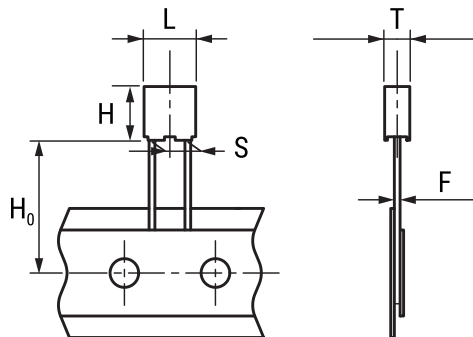


**KEMET Part Number: MMK5123M50J01L16.5TR18**  
(F601JF123M050L, MMK5123M50J01L16,5TR18)

**KEMET**

a YAGEO company

MMK/F601, Film, Metallized Polyester, General Purpose, 0.012 uF, 20%, 50 VDC, 85°C, Lead Spacing = 5mm



**General Information**

<b>Series:</b>	MMK/F601
<b>Dielectric:</b>	Metallized Polyester
<b>Style:</b>	Radial
<b>Features:</b>	DC Multipurpose Applications
<b>RoHS:</b>	Yes
<b>Lead:</b>	Wire Leads
<b>AEC-Q200:</b>	No
<b>Notes:</b>	Not For New Design, Please Check Possible Alternative Parts (AltPart).

**Dimensions**

<b>L</b>	7.2mm MAX
<b>H</b>	6.5mm MAX
<b>T</b>	2.5mm MAX
<b>S</b>	5mm +0.6/-0.1mm
<b>H0</b>	16mm NOM
<b>F</b>	0.5mm NOM

**Specifications**

<b>Capacitance:</b>	0.012 uF
<b>Capacitance Tolerance:</b>	20%
<b>Voltage AC:</b>	30 VAC
<b>Voltage DC:</b>	50 VDC, 38.8 VDC (100C)
<b>Temperature Range:</b>	-55/+100°C
<b>Rated Temperature:</b>	85°C
<b>Dissipation Factor:</b>	0.8% 1kHz, 1.2% 10kHz, 2.5% 100kHz
<b>Insulation Resistance:</b>	15 GOhms
<b>Max dV/dt:</b>	12 V/us
<b>Inductance:</b>	6 nH

**Packaging Specifications**

<b>Packaging:</b>	T&R
<b>Packaging Quantity:</b>	2500

Statements of suitability for certain applications are based on our knowledge of typical operating conditions for such applications, but are not intended to constitute - and we specifically disclaim - any warranty concerning suitability for a specific customer application or use. This Information is intended for use only by customers who have the requisite experience and capability to determine the correct products for their application. Any technical advice inferred from this Information or otherwise provided by us with reference to the use of our products is given gratis, and we assume no obligation or liability for the advice given or results obtained.

**KEMET**

a YAGEO company

单击下面可查看定价，库存，交付和生命周期等信息

[>>KEMET\(基美\)](#)