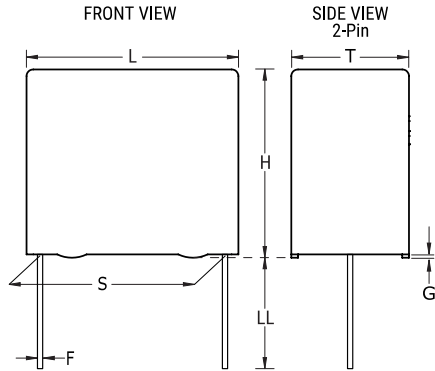


**KEMET Part Number: F5BHC3470AAA7M**  
(5BHC3470AAA7M)

F5B, Film, Metallized Polyester, Diode/Capacitor, 0.47 uF, 20%, 25 VDC, 100°C, Lead Spacing = 5mm



Dimensions	
L	7.5mm MAX
H	11.1mm MAX
T	6.1mm MAX
S	5mm +/-0.4mm
LL	4mm +2mm
F	0.6mm +/-0.05mm
G	0.5mm NOM

Packaging Specifications	
Packaging:	Bulk, Bag
Packaging Quantity:	2000

General Information	
Series:	F5B
Dielectric:	Metallized Polyester
Style:	Radial
Features:	EMI-RFI suppressors for DC motors
RoHS:	With Exemptions
REACH:	SVHC (Pb – CAS 7439-92-1)
Lead:	Wire Leads
AEC-Q200:	No
Miscellaneous:	The Rated Voltage Decreases 2%/C Between +100C And +125C. Varistor= 30 VDC.

Specifications	
Capacitance:	0.47 uF
Capacitance Tolerance:	20%
Voltage DC:	25 VDC, 13 VDC (125C)
Temperature Range:	-55/+125°C
Rated Temperature:	100°C
Dissipation Factor:	1% 1kHz

Statements of suitability for certain applications are based on our knowledge of typical operating conditions for such applications, but are not intended to constitute - and we specifically disclaim - any warranty concerning suitability for a specific customer application or use. This Information is intended for use only by customers who have the requisite experience and capability to determine the correct products for their application. Any technical advice inferred from this Information or otherwise provided by us with reference to the use of our products is given gratis, and we assume no obligation or liability for the advice given or results obtained.

单击下面可查看定价，库存，交付和生命周期等信息

[>>KEMET\(基美\)](#)