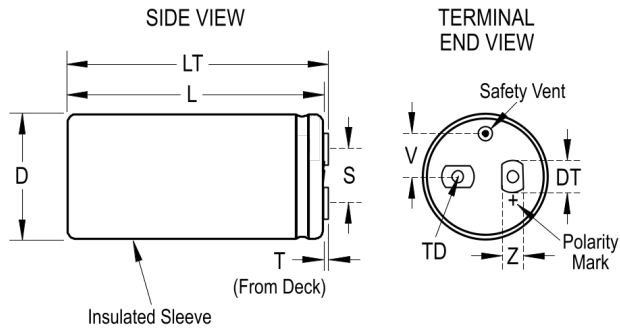


## ALS70A182LM630

Aliases (A390NQ182M630A)

ALS70, Aluminum Electrolytic, 1,800  $\mu$ F, 20%, 630 VDC, -40/+85°C



Click [here](#) for the 3D model.

### Dimensions

D	63.5mm +/-1mm
L	131mm +/-2mm
T	5.5mm +/-0.5mm
S	28.5mm +/-0.5mm
DT	13mm +/-0.5mm
LT	135mm +/-1mm
TD	10mm MIN
V	15.8mm NOM
Z	10mm NOM

### Packaging Specifications

Sleeving	Yes
Packaging	Tray

### General Information

Series	ALS70
Dielectric	Aluminum Electrolytic
Description	Screw Terminal, Aluminum Electrolytic
RoHS	Yes
AEC-Q200	No
Halogen Free	Yes
Component Weight	600 g
Notes	Dimensions D And L Include Sleeving. MS (MxH) = M12x16. Mounting Clamp (Sold Separately): V8
Shelf Life	156 Weeks

### Specifications

Capacitance	1,800 $\mu$ F
Capacitance Tolerance	20%
Voltage DC	630 VDC, 690 VDC (Surge)
Temperature Range	-40/+85°C
Rated Temperature	85°C
Life	19000 Hrs (Rated Voltage And Ripple Current At 85C), 38000 Hrs (Rated Voltage At 85C)
Resistance	84.45 mOhms (100Hz 20C), 57 mOhms (10kHz 20C)
Ripple Current	11.02 Amps (100Hz 85C), 20.5 Amps (10kHz 85C)
Leakage Current	6000 $\mu$ A

Statements of suitability for certain applications are based on our knowledge of typical operating conditions for such applications, but are not intended to constitute - and we specifically disclaim - any warranty concerning suitability for a specific customer application or use. This information is intended for use only by customers who have the requisite experience and capability to determine the correct products for their application. Any technical advice inferred from this information or otherwise provided by us with reference to the use of our products is given gratis, and we assume no obligation or liability for the advice given or results obtained.

单击下面可查看定价，库存，交付和生命周期等信息

[>>KEMET\(基美\)](#)