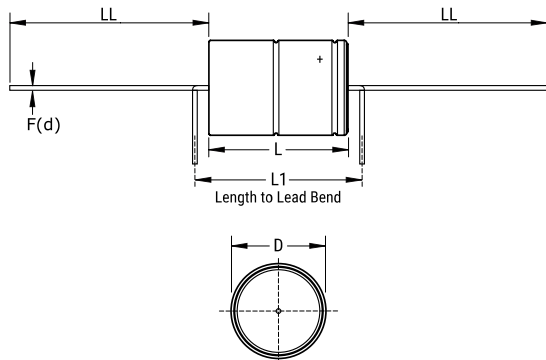


PHA225, Hybrid Polymer, 380 uF, -10/+30%, 63 VDC, -40/+125°C



Note: '()' correspond to the letters used in the product bulletin

General Information	
Series:	PHA225
Dielectric:	Hybrid Polymer
Style:	Axial
Description:	Hybrid Axial Capacitors
RoHS:	Yes
Lead:	Wire Leads
Qualifications:	AEC-Q200
AEC-Q200:	Yes
Halogen Free:	Yes

Dimensions	
D	18.2mm +/-0.5mm
L	26.7mm +/-1mm
L1	33mm MIN
LL	40mm +/-2mm
F	1mm +/-0.03mm

Packaging Specifications	
Weight:	13 g
Packaging:	Bulk, Box

Specifications	
Capacitance:	380 uF
Capacitance Tolerance:	-10/+30%
Voltage DC:	63 VDC
Temperature Range:	-40/+125°C
Rated Temperature:	125°C
Resistance:	147 mOhms (100Hz 20C), 7.1 mOhms (100kHz 125C)
Ripple Current:	36.8 Amps (100kHz 70C), 31 Amps (100kHz 90C), 25.3 Amps (100kHz 105C), 15.3 Amps (100kHz 125C)
Leakage Current:	119.7 uA (5min 20°C)

Statements of suitability for certain applications are based on our knowledge of typical operating conditions for such applications, but are not intended to constitute - and we specifically disclaim - any warranty concerning suitability for a specific customer application or use. This Information is intended for use only by customers who have the requisite experience and capability to determine the correct products for their application. Any technical advice inferred from this Information or otherwise provided by us with reference to the use of our products is given gratis, and we assume no obligation or liability for the advice given or results obtained.

单击下面可查看定价，库存，交付和生命周期等信息

[>>KEMET\(基美\)](#)