

## Overview

KEMET's PEH506 is a long-life electrolytic capacitor designed to offer high ripple current capability and low mounting cost. Low ESR is the result of a very low resistive paper/electrolyte system. Low ESR, together with the TDC thermal concept, gives the PEH506 a high ripple current capability.

## Applications

Typical applications for KEMET's PEH506 capacitor include switch mode power supplies (SMPS), drives, welding equipment, uninterruptible power supplies (UPS), and other power electronic applications where high current ratings and compact size are important.

## Benefits

- Snap-In
- Long life, 3,000 hours at +85°C ( $V_R$ ,  $I_R$  applied)
- PCB mounting
- Low ESR and ESL
- High ripple current



## Part Number System

PEH506	J	AC	433	0	M	2
Series	Rated Voltage (VDC)	Size Code	Capacitance Code (µF)	Version	Capacitance Tolerance	Termination
Snap-In type Aluminum Electrolytic	J = 35 M = 63 P = 100 R = 200 S = 250 U = 350 V = 400 Y = 450	See Dimension Table	The last two digits represent significant figures. The first digit indicates the total number digits.	0 = Standard	M = ±20%	See Termination Table

## Performance Characteristics

Item	Performance Characteristics		
Capacitance Range	68 – 27,000 $\mu$ F		
Rated Voltage	35 – 450 VDC		
Operating Temperature	-40 to +85°C		
Capacitance Tolerance	$\pm$ 20% at 100 Hz/+20°C		
Operational Lifetime	D (mm)	Rated Voltage and Ripple Current at +85°C (hours)	Rated Voltage at +85°C (hours)
	22–35	3,000	6,000
Shelf Life	4 years at +40°C 0 VDC		
Leakage Current	I = 0.003 CV ( $\mu$ A)		
	C = rated capacitance ( $\mu$ F), V = rated voltage (VDC). Voltage applied for 5 minutes at +20°C.		
Vibration Test Specifications	Procedure	Requirements	
	0.75 mm displacement amplitude or 10 g maximum acceleration. Vibration applied for three 2-hour sessions at 10 – 500 Hz (Capacitor clamped by body).	No leakage of electrolyte or other visible damage. Deviations in capacitance from initial measurements must not exceed: $\Delta$ C/C < 5%	
Standards	IEC 60384-4 long life grade 40/85/56, in accordance with CECC 30 301–809		

## Test Method & Performance

Endurance Life Test		
Conditions	Performance	
Temperature	+85°C	
Test Duration	2,000 hours	
Ripple Current	Maximum ripple current specified in table	
Voltage	The sum of DC voltage and the peak AC voltage must not exceed the rated voltage of the capacitor	
<b>Performance</b>	<b>The following specifications will be satisfied when the capacitor is tested at +20°C:</b>	
Capacitance Change	$\leq$ 160 V	Within 15% of the initial value
	$>$ 160 V	Within 10% of the initial value
Equivalent Series Resistance	Does not exceed 200% of the initial value	
Leakage Current	Does not exceed leakage current limit	

## Dimensions – Millimeters

D X L	Size Code	Dimensions in mm		Approximate Weight Grams
		D1	L1	
		±0.5	±1.0	
22 x 25	AB	22.5	26	13
22 x 30	AC	22.5	31	14
22 x 35	AD	22.5	36	15
22 x 40	AE	22.5	41	17
22 x 45	AF	22.5	46	19
22 x 50	AG	22.5	51	21
25 x 25	BB	25.5	26	19
25 x 30	BC	25.5	31	21
25 x 35	BD	25.5	36	24
25 x 40	BE	25.5	41	27
25 x 45	BF	25.5	46	30
25 x 50	BG	25.5	51	33
30 x 25	CB	30.5	26	24
30 x 30	CC	30.5	31	29
30 x 35	CD	30.5	36	34
30 x 40	CE	30.5	41	39
30 x 45	CF	30.5	46	45
30 x 50	CG	30.5	51	51
35 x 25	DB	35.5	26	32
35 x 30	DC	35.5	31	40
35 x 35	DD	35.5	36	48
35 x 40	DE	35.5	41	56
35 x 45	DF	35.5	46	64
35 x 50	DG	35.5	51	72
35 x 55	DH	35.5	56	85

Note: Add 0.5 mm to D and 1 mm to L for Slewing

## Termination Tables

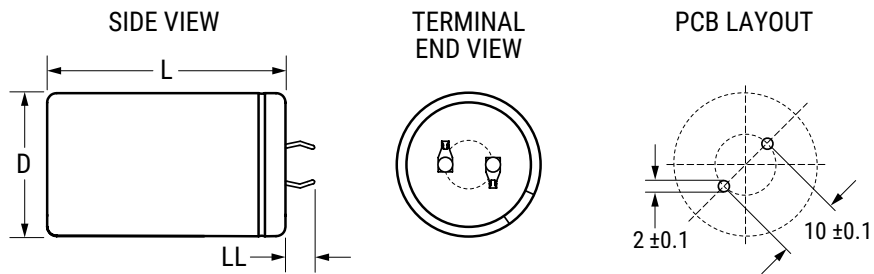
Termination Code	2	2S	3	4	4S
Diameter (mm)					
22	•	•	•		
25	•	•	•		
30	•	•	•		
35	•	•	•	•	•

Mounting: These capacitors are designed to be mounted by their terminations alone and may be used in any position. Dummy pins on 4-pin decks must be isolated.

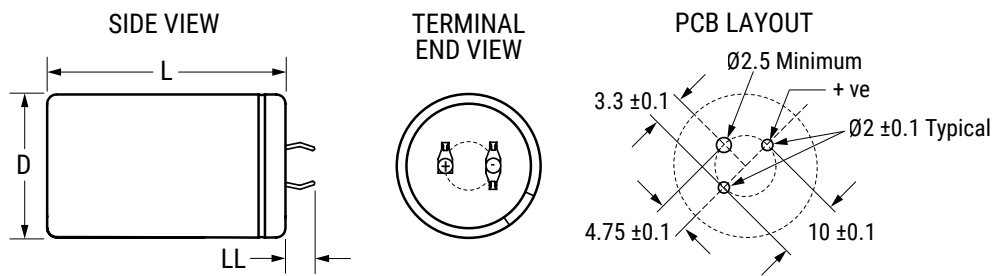
Termination Code	Termination Style	LL
		±1
Standard Termination Option		
2	2 Pin	6.3
Other Termination Options		
2S	2 Pin	4
3	3 Pin	4
4	4 Pin	6.3
4S	4 Pin	4
<b>Dimensions in mm</b>		

**Termination Tables cont.**

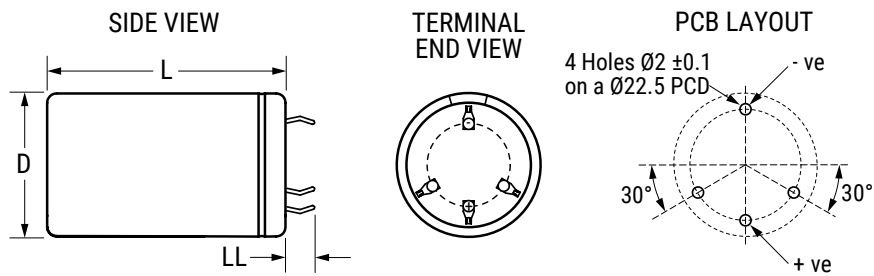
**Style 2/2S**



**Style 3**



**Style 4/4S**



## Shelf Life

The capacitance, ESR and impedance of a capacitor will not change significantly after extended storage periods, however the leakage current will very slowly increase. KEMET products are particularly stable and allow a shelf life in excess of three years at 40°C. See sectional specification under each product series for specific data.

## Re-age (Reforming) Procedure

Apply the rated voltage to the capacitor at room temperature for a period of one hour, or until the leakage current has fallen to a steady value below the specified limit. During re-aging a maximum charging current of twice the specified leakage current or 5 mA (whichever is greater) is suggested.

## Reliability

The reliability of a component can be defined as the probability that it will perform satisfactorily under a given set of conditions for a given length of time.

In practice, it is impossible to predict with absolute certainty how any individual component will perform; thus, we must utilize probability theory. It is also necessary to clearly define the level of stress involved (e.g. operating voltage, ripple current, temperature and time). Finally, the meaning of satisfactory performance must be defined by specifying a set of conditions which determine the end of life of the component.

Reliability as a function of time,  $R(t)$ , is normally expressed as:  $R(t) = e^{-\lambda t}$

where  $R(t)$  is the probability that the component will perform satisfactorily for time  $t$ , and  $\lambda$  is the failure rate.

## Failure Rate

The failure rate is the number of components failing per unit time. The failure rate of most electronic components follows the characteristic pattern:

- Early failures are removed during the manufacturing process.
- The operational life is characterized by a constant failure rate.
- The wear out period is characterized by a rapidly increasing failure rate.

The failures in time (FIT) are given with a 60% confidence level for the various type codes. By convention, FIT is expressed as  $1 \times 10^{-9}$  failures per hour. Failure rate is also expressed as a percentage of failures per 1,000 hours.

e.g., 100 FIT =  $1 \times 10^{-7}$  failures per hour = 0.01%/1,000 hours

## End of Life Definition

Catastrophic Failure: short circuit, open circuit or safety vent operation

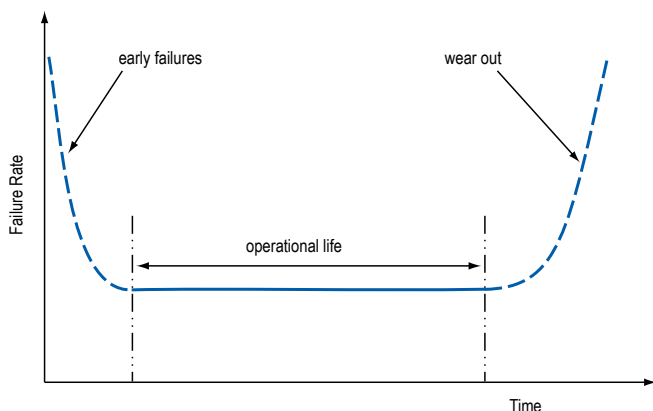
Parametric Failure:

- Change in capacitance  $> \pm 10\%$
- Leakage current  $>$  specified limit
- ESR  $> 2 \times$  initial ESR value

## MTBF

The mean time between failures (MTBF) is simply the inverse of the failure rate.

$$\text{MTBF} = 1/\lambda$$



The failure rate is derived from our periodic test results. The failure rate ( $\lambda_R$ ) is, therefore, only given at test temperature for life tests. An estimation is also given at 40°C. The expected failure rate for this capacitor range is based on our periodic test results for capacitors with structural similarity. Failure rate is frequently quoted in FIT (Failures In Time) where 1 FIT =  $1 \times 10^{-9}$  failures per hour. Failure rate per hour includes both catastrophic and parametric failures.

## Environmental Compliance



All Part Numbers in this datasheet are Reach and RoHS compliant.

As an environmentally conscious company, KEMET is working continuously with improvements concerning the environmental effects of both our capacitors and their production.

In Europe (RoHS Directive) and in some other geographical areas such as China, legislation has been put in place to prevent the use of some hazardous materials, such as lead (Pb), in electronic equipment. All products in this catalog are produced to help our customers' obligations to guarantee their products and fulfill these legislative requirements. The only material of concern in our products has been lead (Pb), which has been removed from all designs to fulfill the requirement of containing less than 0.1% of lead in any homogeneous material. KEMET will closely follow any changes in legislation worldwide and make any necessary changes in its products, whenever needed.

Some customer segments such as medical, military and automotive electronics may still require the use of lead in electrode coatings. To clarify the situation and distinguish products from each other, a special symbol is used on the packaging labels for RoHS compatible capacitors.

Due to customer requirements, there may appear additional markings such as lead-free (LF), or lead-free wires (LFW) on the label.

**Table 1 – Ratings & Part Number Reference**

VDC	Rated Capacitance	Size Code	Case Size	Ripple Current Maximum		ESR Maximum		Part Number
	100 Hz 20°C (µF)		D x L (mm)	100 Hz 85°C (A)	20 kHz 40°C (A)	100 Hz 20°C (mΩ)	100 kHz 20°C (mΩ)	
35	3300	AC	22 x 30	2.9	6.4	110	92	PEH506JAC4330M(1)
35	3900	AC	22 x 30	3.1	6.6	96	82	PEH506JAC4390M(1)
35	4700	AD	22 x 35	3.5	7.7	79	67	PEH506JAD4470M(1)
35	4700	BC	25 x 30	3.3	7.0	85	72	PEH506JBC4470M(1)
35	5600	AE	22 x 40	4.0	8.6	67	56	PEH506JAE4560M(1)
35	5600	BC	25 x 30	3.4	7.0	76	66	PEH506JBC4560M(1)
35	6800	AE	22 x 40	4.2	8.9	58	50	PEH506JAE4680M(1)
35	6800	BD	25 x 35	4.0	8.2	62	53	PEH506JBD4680M(1)
35	6800	CC	30 x 30	3.6	7.2	70	62	PEH506JCC4680M(1)
35	8200	AG	22 x 50	5.0	10.6	47	40	PEH506JAG4820M(1)
35	8200	BE	25 x 40	4.5	9.4	52	45	PEH506JBE4820M(1)
35	8200	CC	30 x 30	3.6	6.9	66	59	PEH506JCC4820M(1)
35	10000	BF	25 x 45	5.0	10.4	43	38	PEH506JBF5100M(1)
35	10000	CD	30 x 35	4.2	8.3	53	47	PEH506JCD5100M(1)
35	10000	DC	35 x 30	3.7	7.0	66	61	PEH506JDC5100M(1)
35	12000	BG	25 x 50	5.5	11.3	37	32	PEH506JBG5120M(1)
35	12000	CE	30 x 40	4.8	9.4	44	39	PEH506JCE5120M(1)
35	12000	DC	35 x 30	3.5	6.5	69	65	PEH506JDC5120M(1)
35	15000	CF	30 x 45	5.3	10.4	37	33	PEH506JCF5150M(1)
35	15000	DD	35 x 35	4.1	7.8	55	51	PEH506JDD5150M(1)
35	18000	DE	35 x 40	4.7	8.9	45	42	PEH506JDE5180M(1)
35	22000	DF	35 x 45	5.2	9.8	39	37	PEH506JDF5220M(1)
35	27000	DG	35 x 50	5.7	10.6	35	33	PEH506JDG5270M(1)
63	1200	AB	22 x 25	2.1	5.3	160	110	PEH506MAB4120M(1)
63	1500	AC	22 x 30	2.5	6.4	120	89	PEH506MAC4150M(1)
63	1800	AC	22 x 30	2.6	6.6	110	78	PEH506MAC4180M(1)
63	2200	AD	22 x 35	3.1	7.7	87	63	PEH506MAD4220M(1)
63	2200	BC	25 x 30	2.9	7.0	93	69	PEH506MBC4220M(1)
63	2700	AE	22 x 40	3.5	8.8	72	52	PEH506MAE4270M(1)
63	2700	BD	25 x 35	3.4	8.3	75	56	PEH506MBD4270M(1)
63	3300	AG	22 x 50	4.1	10.4	58	42	PEH506MAG4330M(1)
63	3300	BE	25 x 40	3.9	9.4	62	46	PEH506MBE4330M(1)
63	3300	CC	30 x 30	3.3	7.0	76	60	PEH506MCC4330M(1)
63	3900	BF	25 x 45	4.4	10.4	53	40	PEH506MBF4390M(1)
63	3900	CD	30 x 35	3.8	8.4	62	48	PEH506MCD4390M(1)
63	4700	BG	25 x 50	4.8	11.3	45	34	PEH506MBG4470M(1)
63	4700	CE	30 x 40	4.4	9.6	51	40	PEH506MCE4470M(1)
63	4700	DC	35 x 30	3.4	6.7	74	63	PEH506MDC4470M(1)
63	5600	CE	30 x 40	4.4	9.2	48	39	PEH506MCE4560M(1)
63	5600	DD	35 x 35	4.0	8.1	58	49	PEH506MDD4560M(1)
63	6800	CF	30 x 45	4.9	10.2	41	33	PEH506MCF4680M(1)
63	6800	DE	35 x 40	4.6	9.3	48	40	PEH506MDE4680M(1)
63	8200	DF	35 x 45	5.1	10.3	41	35	PEH506MDF4820M(1)
63	10000	DG	35 x 50	5.5	11.0	37	31	PEH506MDG5100M(1)
100	560	AB	22 x 25	1.5	3.6	370	290	PEH506PAB3560M(1)
100	680	AC	22 x 30	1.7	4.3	300	230	PEH506PAC3680M(1)
100	680	BB	25 x 25	1.7	4.1	310	240	PEH506PBB3680M(1)
100	820	AD	22 x 35	2.0	5.0	250	190	PEH506PAD3820M(1)
100	820	BC	25 x 30	2.0	4.8	260	200	PEH506PBC3820M(1)
100	1000	AE	22 x 40	2.3	5.7	210	160	PEH506PAE4100M(1)
100	1000	BC	25 x 30	2.1	5.1	210	170	PEH506PBC4100M(1)
100	1200	AE	22 x 40	2.5	6.1	170	140	PEH506PAE4120M(1)
100	1200	BD	25 x 35	2.5	6.0	180	140	PEH506PBD4120M(1)
100	1500	AF	22 x 45	2.8	6.9	140	110	PEH506PAF4150M(1)
100	1500	BE	25 x 40	2.9	6.8	140	110	PEH506PBE4150M(1)
100	1800	BF	25 x 45	3.2	7.6	120	95	PEH506PBF4180M(1)
100	1800	CD	30 x 35	3.1	7.0	130	100	PEH506PCD4180M(1)
100	2200	BG	25 x 50	3.6	8.5	100	78	PEH506PBG4220M(1)
100	2200	CE	30 x 40	3.5	8.0	110	84	PEH506PCE4220M(1)
100	2200	DC	35 x 30	2.9	6.2	120	100	PEH506PDC4220M(1)
VDC	Rated Capacitance	Size Code	Case Size	Ripple Current		ESR		Part Number

(1) Termination code: See Termination Tables for available options.



**Table 1 – Ratings & Part Number Reference cont.**

VDC	Rated Capacitance	Size Code	Case Size	Ripple Current Maximum		ESR Maximum		Part Number
	100 Hz 20°C (µF)		D x L (mm)	100 Hz 85°C (A)	20 kHz 40°C (A)	100 Hz 20°C (mΩ)	100 kHz 20°C (mΩ)	
100	2700	CF	30 x 45	4.0	8.9	88	70	PEH506PCF4270M(1)
100	2700	DD	35 x 35	3.5	7.3	100	82	PEH506PDD4270M(1)
100	3300	CG	30 x 50	4.4	9.8	73	59	PEH506PCG4330M(1)
100	3300	DE	35 x 40	3.9	8.4	82	68	PEH506PDE4330M(1)
100	3900	DF	35 x 45	4.4	9.3	70	58	PEH506PDF4390M(1)
100	4700	DG	35 x 50	4.9	10.1	60	50	PEH506PDG4470M(1)
200	270	AC	22 x 30	1.2	5.4	510	270	PEH506RAC3270M(1)
200	270	BB	25 x 25	1.2	4.8	520	290	PEH506RBB3270M(1)
200	330	AD	22 x 35	1.4	6.2	420	220	PEH506RAD3330M(1)
200	330	BC	25 x 30	1.4	5.9	420	230	PEH506RBC3330M(1)
200	390	AD	22 x 35	1.5	6.5	360	190	PEH506RAD3390M(1)
200	390	BC	25 x 30	1.5	6.0	360	200	PEH506RBC3390M(1)
200	470	AE	22 x 40	1.7	7.4	300	160	PEH506RAE3470M(1)
200	470	BD	25 x 35	1.7	7.0	300	160	PEH506RBD3470M(1)
200	470	CC	30 x 30	1.7	6.4	310	170	PEH506RCC3470M(1)
200	560	AF	22 x 45	1.9	8.2	250	140	PEH506RAF3560M(1)
200	560	BE	25 x 40	1.9	8.0	250	140	PEH506RBE3560M(1)
200	680	AG	22 x 50	2.1	9.1	210	110	PEH506RAG3680M(1)
200	680	BF	25 x 45	2.2	8.9	210	110	PEH506RBF3680M(1)
200	680	CD	30 x 35	2.1	7.4	220	130	PEH506RCD3680M(1)
200	820	BG	25 x 50	2.5	9.7	170	96	PEH506RBG3820M(1)
200	820	CD	30 x 35	2.3	7.1	190	110	PEH506RCD3820M(1)
200	1000	CE	30 x 40	2.6	8.1	160	92	PEH506RCE4100M(1)
200	1000	DD	35 x 35	2.5	7.2	170	100	PEH506RDD4100M(1)
200	1200	CF	30 x 45	2.9	9.0	130	78	PEH506RCF4120M(1)
200	1200	DE	35 x 40	2.9	8.2	140	85	PEH506RDE4120M(1)
200	1500	DF	35 x 45	3.3	9.0	110	71	PEH506RDF4150M(1)
200	1800	DG	35 x 50	3.6	9.8	97	61	PEH506RDG4180M(1)
200	2200	DH	35 x 55	4.0	10.4	82	53	PEH506RDH4220M(1)
250	220	AC	22 x 30	1.1	5.5	520	260	PEH506SAC3220M(1)
250	220	BB	25 x 25	1.1	4.8	530	270	PEH506SBB3220M(1)
250	270	AD	22 x 35	1.3	6.4	420	210	PEH506SAD3270M(1)
250	270	BC	25 x 30	1.3	5.9	430	210	PEH506SBC3270M(1)
250	330	AE	22 x 40	1.5	7.2	350	170	PEH506SAE3330M(1)
250	330	BC	25 x 30	1.4	6.0	360	180	PEH506SBC3330M(1)
250	330	CB	30 x 25	1.4	4.9	380	200	PEH506SCB3330M(1)
250	390	AF	22 x 45	1.7	8.1	290	140	PEH506SAF3390M(1)
250	390	BD	25 x 35	1.6	7.1	300	150	PEH506SBD3390M(1)
250	470	AG	22 x 50	1.9	8.9	250	120	PEH506SAG3470M(1)
250	470	BE	25 x 40	1.9	8.0	250	130	PEH506SBE3470M(1)
250	470	CC	30 x 30	1.8	6.1	270	140	PEH506SCC3470M(1)
250	560	AG	22 x 50	2.1	9.2	210	110	PEH506SAG3560M(1)
250	560	BF	25 x 45	2.1	8.9	210	110	PEH506SBF3560M(1)
250	680	BG	25 x 50	2.4	9.8	180	90	PEH506SBG3680M(1)
250	680	CE	30 x 40	2.3	8.3	180	98	PEH506SCE3680M(1)
250	680	DC	35 x 30	2.1	5.8	210	120	PEH506SDC3680M(1)
250	820	CF	30 x 45	2.6	9.2	150	83	PEH506SCF3820M(1)
250	820	DD	35 x 35	2.4	7.0	170	99	PEH506SDD3820M(1)
250	1000	CG	30 x 50	3.0	10.0	130	70	PEH506SCG4100M(1)
250	1000	DE	35 x 40	2.8	8.0	140	82	PEH506SDE4100M(1)
250	1200	DF	35 x 45	3.1	8.9	120	70	PEH506SDF4120M(1)
250	1500	DG	35 x 50	3.5	9.5	98	59	PEH506SDG4150M(1)
350	82	AB	22 x 25	0.7	3.0	1600	970	PEH506UAB2820M(1)
350	100	AC	22 x 30	0.8	3.5	1300	800	PEH506UAC3100M(1)
350	150	AD	22 x 35	1.1	4.4	860	540	PEH506UAD3150M(1)
350	150	BC	25 x 30	1.1	4.3	870	550	PEH506UBC3150M(1)
350	180	AE	22 x 40	1.2	4.9	720	450	PEH506UAE3180M(1)
350	220	AF	22 x 45	1.4	5.6	590	370	PEH506UAF3220M(1)
350	220	BD	25 x 35	1.3	5.3	600	380	PEH506UBD3220M(1)
350	220	CC	30 x 30	1.4	5.1	610	390	PEH506UCC3220M(1)
VDC	Rated Capacitance	Size Code	Case Size	Ripple Current		ESR		Part Number

(1) Termination code: See Termination Tables for available options.

**Table 1 – Ratings & Part Number Reference cont.**

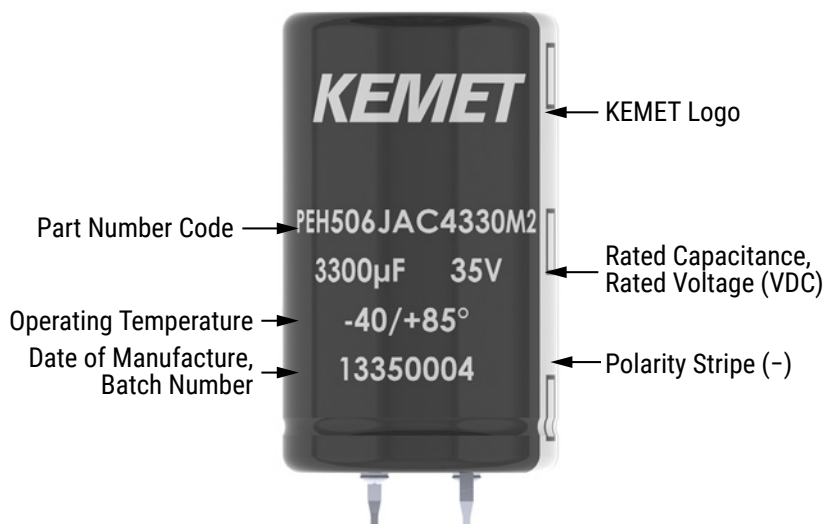
VDC	Rated Capacitance	Size Code	Case Size	Ripple Current Maximum		ESR Maximum		Part Number
	100 Hz 20°C (µF)		D x L (mm)	100 Hz 85°C (A)	20 kHz 40°C (A)	100 Hz 20°C (mΩ)	100 kHz 20°C (mΩ)	
350	270	AG	22 x 50	1.5	6.3	480	310	PEH506UAG3270M(1)
350	270	BE	25 x 40	1.5	6.0	490	310	PEH506UBE3270M(1)
350	330	BG	25 x 50	1.8	7.1	400	250	PEH506UBG3330M(1)
350	330	CE	30 x 40	1.8	6.8	400	260	PEH506UCE3330M(1)
350	330	DC	35 x 30	1.7	5.6	420	280	PEH506UDC3330M(1)
350	390	BG	25 x 50	2.0	7.5	340	220	PEH506UBG3390M(1)
350	390	CE	30 x 40	2.0	7.0	350	220	PEH506UCE3390M(1)
350	470	CF	30 x 45	2.2	7.9	290	190	PEH506UCF3470M(1)
350	470	DD	35 x 35	2.1	6.6	300	200	PEH506UDD3470M(1)
350	560	CG	30 x 50	2.5	8.7	240	160	PEH506UCG3560M(1)
350	560	DE	35 x 40	2.4	7.5	250	170	PEH506UDE3560M(1)
350	680	DF	35 x 45	2.7	8.4	210	140	PEH506UDF3680M(1)
400	82	AC	22 x 30	0.8	3.4	1300	810	PEH506VAC2820M(1)
400	100	AC	22 x 30	0.9	3.7	1100	670	PEH506VAC3100M(1)
400	100	BB	25 x 25	0.9	3.6	1100	680	PEH506VBB3100M(1)
400	120	AD	22 x 35	1.0	4.3	920	560	PEH506VAD3120M(1)
400	120	BC	25 x 30	1.0	4.2	930	570	PEH506VBC3120M(1)
400	120	CB	30 x 25	1.0	4.0	940	580	PEH506VCB3120M(1)
400	150	AE	22 x 40	1.2	4.9	740	450	PEH506VAE3150M(1)
400	150	BD	25 x 35	1.2	4.9	740	450	PEH506VBD3150M(1)
400	150	CB	30 x 25	1.1	4.2	770	480	PEH506VCB3150M(1)
400	180	AF	22 x 45	1.3	5.5	620	380	PEH506VAF3180M(1)
400	180	CC	30 x 30	1.3	5.1	630	390	PEH506VCC3180M(1)
400	220	AG	22 x 50	1.5	6.2	510	310	PEH506VAG3220M(1)
400	220	BE	25 x 40	1.5	6.0	510	320	PEH506VBE3220M(1)
400	220	CD	30 x 35	1.5	5.9	520	320	PEH506VCD3220M(1)
400	220	DB	35 x 25	1.4	4.5	550	350	PEH506VDB3220M(1)
400	270	BF	25 x 45	1.7	6.7	420	260	PEH506VBF3270M(1)
400	270	CD	30 x 35	1.7	6.2	430	270	PEH506VCD3270M(1)
400	330	CE	30 x 40	1.9	7.0	350	220	PEH506VCE3330M(1)
400	330	DD	35 x 35	1.9	6.7	360	230	PEH506VDD3330M(1)
400	390	CG	30 x 50	2.2	8.4	290	180	PEH506VCG3390M(1)
400	390	DE	35 x 40	2.2	7.6	300	190	PEH506VDE3390M(1)
400	470	DF	35 x 45	2.5	8.5	250	160	PEH506VDF3470M(1)
400	560	DG	35 x 50	2.8	9.3	210	140	PEH506VDG3560M(1)
450	68	AC	22 x 30	0.8	3.5	1300	780	PEH506YAC2680M(1)
450	68	BB	25 x 25	0.8	3.4	1300	790	PEH506YBB2680M(1)
450	82	AC	22 x 30	0.9	3.7	1100	670	PEH506YAC2820M(1)
450	82	BB	25 x 25	0.9	3.6	1100	680	PEH506YBB2820M(1)
450	100	AD	22 x 35	1.0	4.4	910	540	PEH506YAD3100M(1)
450	100	BC	25 x 30	1.0	4.3	920	540	PEH506YBC3100M(1)
450	120	AE	22 x 40	1.1	5.0	760	450	PEH506YAE3120M(1)
450	120	BC	25 x 30	1.1	4.5	780	470	PEH506YBC3120M(1)
450	120	CB	30 x 25	1.1	4.2	800	480	PEH506YCB3120M(1)
450	150	AF	22 x 45	1.3	5.6	620	370	PEH506YAF3150M(1)
450	150	BD	25 x 35	1.3	5.3	620	370	PEH506YBD3150M(1)
450	150	CC	30 x 30	1.3	5.1	630	380	PEH506YCC3150M(1)
450	180	AG	22 x 50	1.4	6.2	520	310	PEH506YAG3180M(1)
450	180	BE	25 x 40	1.4	6.0	520	310	PEH506YBE3180M(1)
450	180	CC	30 x 30	1.4	5.3	540	330	PEH506YCC3180M(1)
450	220	BF	25 x 45	1.6	6.8	430	260	PEH506YBF3220M(1)
450	220	CD	30 x 35	1.6	6.2	440	270	PEH506YCD3220M(1)
450	220	DC	35 x 30	1.6	5.6	450	280	PEH506YDC3220M(1)
450	270	CE	30 x 40	1.9	7.1	360	220	PEH506YCE3270M(1)
450	270	DD	35 x 35	1.9	6.7	360	230	PEH506YDD3270M(1)
450	330	CG	30 x 50	2.2	8.5	290	170	PEH506YCG3330M(1)
450	330	DE	35 x 40	2.2	7.6	300	180	PEH506YDE3330M(1)
450	390	DE	35 x 40	2.3	7.4	260	160	PEH506YDE3390M(1)
450	470	DG	35 x 50	2.7	9.3	210	130	PEH506YDG3470M(1)
VDC	Rated Capacitance	Size Code	Case Size	Ripple Current		ESR		Part Number

(1) Termination code: See Termination Tables for available options.

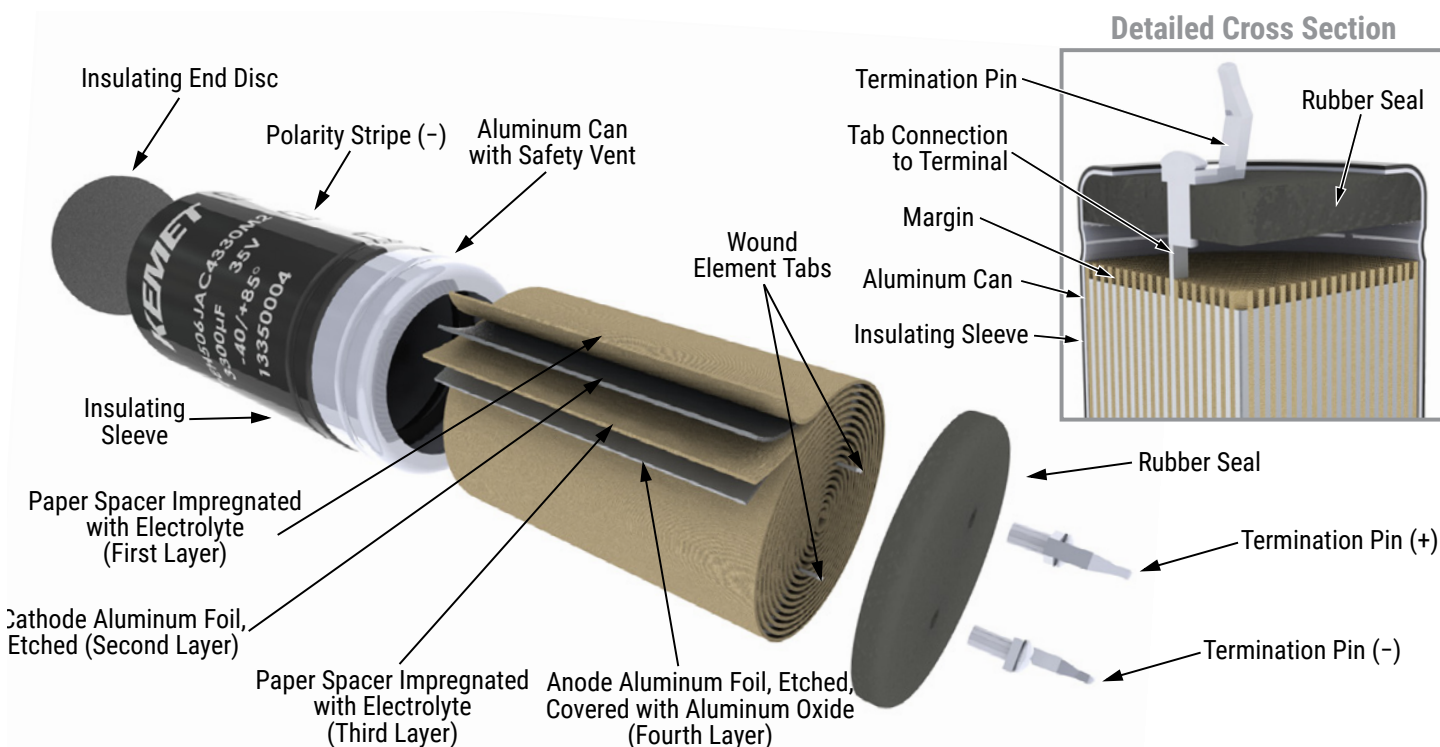
## Mechanical Data

The capacitor may be mounted in any position. PEH506 is supplied with an insulation sleeve. Voltage proof of the insulation sleeve = 2.5 kVDC (1 minute). The minus pole is marked on the case surface. UL recognized sleeving is available for custom parts in this range, upon request. (UL No. E358957)

## Marking



## Construction



## Construction Data

The manufacturing process begins with the anode foil being electrochemically etched to increase the surface area and then “formed” to produce the aluminum oxide layer. Both the anode and cathode foils are then interleaved with absorbent paper and wound into a cylinder. During the winding process, aluminum tabs are attached to each foil to provide the electrical contact.

The deck, complete with terminals, is attached to the tabs and then folded down to rest on top of the winding. The complete winding is impregnated with electrolyte before being housed in a suitable container, usually an aluminum can, and sealed. Throughout the process, all materials inside the housing must be maintained at the highest purity and be compatible with the electrolyte.

Each capacitor is aged and tested before being sleeved and packed. The purpose of aging is to repair any damage in the oxide layer and thus reduce the leakage current to a very low level. Aging is normally carried out at the rated temperature of the capacitor and is accomplished by applying voltage to the device while carefully controlling the supply current. The process may take several hours to complete.

Damage to the oxide layer can occur due to variety of reasons:

- Slitting of the anode foil after forming
- Attaching the tabs to the anode foil
- Minor mechanical damage caused during winding

A sample from each batch is taken by the quality department after completion of the production process.

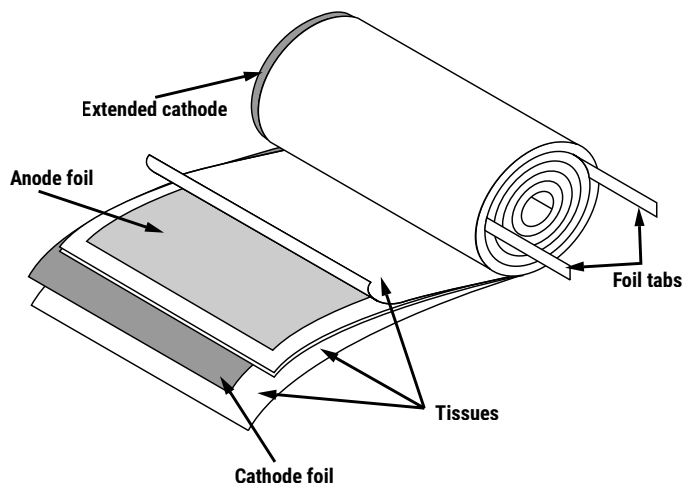
The following tests are applied and may be varied at the request of the customer. In this case the batch, or special procedure, will determine the course of action.

### Electrical:

- Leakage current
- Capacitance
- ESR
- Impedance
- Tan Delta

### Mechanical/Visual:

- Overall dimensions
- Torque test of mounting stud
- Print detail
- Box labels
- Packaging, including packed quantity



## KEMET Electronics Corporation Sales Offices

For a complete list of our global sales offices, please visit [www.kemet.com/sales](http://www.kemet.com/sales).

---

### Disclaimer

All product specifications, statements, information and data (collectively, the "Information") in this datasheet are subject to change. The customer is responsible for checking and verifying the extent to which the Information contained in this publication is applicable to an order at the time the order is placed. All Information given herein is believed to be accurate and reliable, but it is presented without guarantee, warranty, or responsibility of any kind, expressed or implied.

Statements of suitability for certain applications are based on KEMET Electronics Corporation's ("KEMET") knowledge of typical operating conditions for such applications, but are not intended to constitute – and KEMET specifically disclaims – any warranty concerning suitability for a specific customer application or use. The Information is intended for use only by customers who have the requisite experience and capability to determine the correct products for their application. Any technical advice inferred from this Information or otherwise provided by KEMET with reference to the use of KEMET's products is given gratis, and KEMET assumes no obligation or liability for the advice given or results obtained.

Although KEMET designs and manufactures its products to the most stringent quality and safety standards, given the current state of the art, isolated component failures may still occur. Accordingly, customer applications which require a high degree of reliability or safety should employ suitable designs or other safeguards (such as installation of protective circuitry or redundancies) in order to ensure that the failure of an electrical component does not result in a risk of personal injury or property damage.

Although all product-related warnings, cautions and notes must be observed, the customer should not assume that all safety measures are indicated or that other measures may not be required.

*KEMET is a registered trademark of KEMET Electronics Corporation.*

单击下面可查看定价，库存，交付和生命周期等信息

[>>KEMET\(基美\)](#)