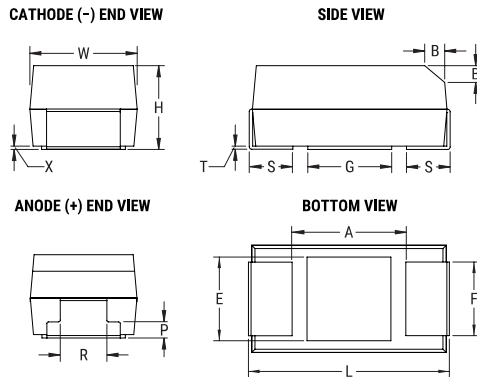


T496 Space, Tantalum, MnO2 Tantalum, Space Fused, 1 uF, 10%, 25 VDC, SMD, MnO2, Molded, Aerospace, Fused, 3.5 Ohms, 3528, Height Max = 2.1mm



| Dimensions |                 |
|------------|-----------------|
| Footprint  | 3528            |
| L          | 3.5mm +/-0.2mm  |
| W          | 2.8mm +/-0.2mm  |
| H          | 1.9mm +/-0.2mm  |
| T          | 0.13mm REF      |
| S          | 0.8mm +/-0.3mm  |
| F          | 2.2mm +/-0.1mm  |
| A          | 2.1mm MIN       |
| B          | 0.4mm +/-0.15mm |
| E          | 2.2mm REF       |
| G          | 1.8mm REF       |
| P          | 0.4mm REF       |
| R          | 1.5mm REF       |
| X          | 0.1mm +/-0.1mm  |

| Packaging Specifications |            |
|--------------------------|------------|
| Packaging:               | T&R, 178mm |
| Packaging Quantity:      | 2000       |

| General Information |                                                                                                                   |
|---------------------|-------------------------------------------------------------------------------------------------------------------|
| Series:             | T496 Space                                                                                                        |
| Dielectric:         | MnO2 Tantalum                                                                                                     |
| Style:              | SMD Chip                                                                                                          |
| Description:        | SMD, MnO2, Molded, Aerospace, Fused                                                                               |
| Features:           | Internal Fuse, Aerospace                                                                                          |
| RoHS:               | No                                                                                                                |
| Prop 65:            | <b>WARNING:</b> Cancer and reproductive harm - <a href="http://www.p65warnings.ca.gov">www.p65warnings.ca.gov</a> |
| Termination:        | Solder Coated                                                                                                     |
| AEC-Q200:           | No                                                                                                                |
| Component Weight:   | 107.45 mg                                                                                                         |

| Specifications         |                                |
|------------------------|--------------------------------|
| Capacitance:           | 1 uF                           |
| Capacitance Tolerance: | 10%                            |
| Voltage DC:            | 25 VDC (85C), 16.75 VDC (125C) |
| Temperature Range:     | -55/+125°C                     |
| Rated Temperature:     | 85°C                           |
| Dissipation Factor:    | 4% 120Hz 20C                   |
| Failure Rate:          | C (0.01%/1000 Hrs)             |
| Resistance:            | 3.5 Ohms (100kHz 20C)          |
| Leakage Current:       | 0.5 uA (5min 20°C)             |

Statements of suitability for certain applications are based on our knowledge of typical operating conditions for such applications, but are not intended to constitute - and we specifically disclaim - any warranty concerning suitability for a specific customer application or use. This Information is intended for use only by customers who have the requisite experience and capability to determine the correct products for their application. Any technical advice inferred from this Information or otherwise provided by us with reference to the use of our products is given gratis, and we assume no obligation or liability for the advice given or results obtained.

单击下面可查看定价，库存，交付和生命周期等信息

[>>KEMET\(基美\)](#)