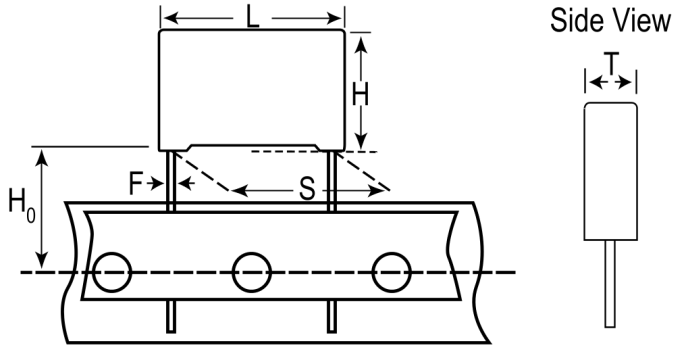


R76PF1330DQ00J

Aliases (76PF1330DQ00J)

R76, Film, Double Metallized Polypropylene, Automotive Grade, 3300 pF, 5%, 630 VDC, 85°C, Lead Spacing = 10mm



Click [here](#) for the 3D model.

Dimensions

L	13mm +0.2/-0.5mm
H	9mm +0.1/-0.5mm
T	4mm +0.2/-0.5mm
S	10mm +/-0.4mm
H0	18.5mm +/-0.5mm
F	0.6mm +/-0.05mm

Packaging Specifications

Packaging Quantity	1000
--------------------	------

General Information

Series	R76
Dielectric	Double Metallized Polypropylene
Style	Radial
Features	Automotive Grade, Pulse
RoHS	Yes
Lead	Wire Leads
Qualifications	AEC-Q200
AEC-Q200	Yes
Miscellaneous	Voltage Derating: 1.25%/C Above 85C (DC).

Specifications

Capacitance	3300 pF
Capacitance Tolerance	5%
Voltage AC	400 VAC
Voltage DC	630 VDC
Temperature Range	-55/+110°C
Rated Temperature	85°C
Dissipation Factor	0.03% 1kHz, 0.04% 10kHz, 0.1% 100kHz
Insulation Resistance	100 GOhms
Max dV/dt	4000 V/us
Resistance	192.9 mOhms (100kHz)
Ripple Current	0.829 Amps (100kHz 85C), 13 Amps (Peak)
Inductance	9 nH

单击下面可查看定价，库存，交付和生命周期等信息

[>>KEMET\(基美\)](#)