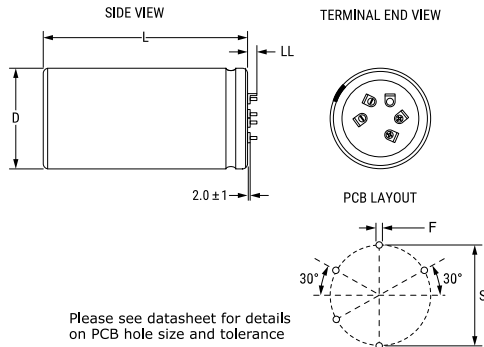


KEMET Part Number: ALF80G112EH350
(A557HK112M350G)

ALF80, Aluminum Electrolytic, 1,100 uF, 20%, 350 VDC, -40/+105°C



| General Information | |
|---------------------|-------------------------------------|
| Series: | ALF80 |
| Dielectric: | Aluminum Electrolytic |
| Style: | Press-Fit |
| Description: | Press-Fit, Aluminum Electrolytic |
| RoHS: | Yes |
| Lead: | 5 Pin Press-Fit |
| AEC-Q200: | No |
| Component Weight: | 125 g |
| Notes: | Dimensions D And L Include Slewing. |
| Shelf Life: | 156 Weeks |

| Dimensions | |
|------------|--------------------|
| D | 40mm +1mm |
| L | 60mm +/-2mm |
| S | 25mm +/-0.1mm |
| LL | 5.5mm +/-1mm |
| F | 1.486mm +/-0.076mm |

| Packaging Specifications | |
|--------------------------|------|
| Slewing: | Yes |
| Packaging: | Bulk |

| Specifications | |
|------------------------|--|
| Capacitance: | 1,100 uF |
| Capacitance Tolerance: | 20% |
| Voltage DC: | 350 VDC, 385 VDC (Surge) |
| Temperature Range: | -40/+105°C |
| Rated Temperature: | 105°C |
| Life: | 9000 Hrs (Rated Voltage And Ripple Current At 105C), 14000 Hrs (Rated Voltage at 105C) |
| Resistance: | 131.8 mOhms (100Hz 20C), 71.35 mOhms (10kHz 20C) |
| Ripple Current: | 4.262 Amps (100Hz 105C), 9.519 Amps (10kHz 105C) |
| Leakage Current: | 1155 uA (5min 20°C) |

Statements of suitability for certain applications are based on our knowledge of typical operating conditions for such applications, but are not intended to constitute - and we specifically disclaim - any warranty concerning suitability for a specific customer application or use. This Information is intended for use only by customers who have the requisite experience and capability to determine the correct products for their application. Any technical advice inferred from this Information or otherwise provided by us with reference to the use of our products is given gratis, and we assume no obligation or liability for the advice given or results obtained.

单击下面可查看定价，库存，交付和生命周期等信息

[>>KEMET\(基美\)](#)