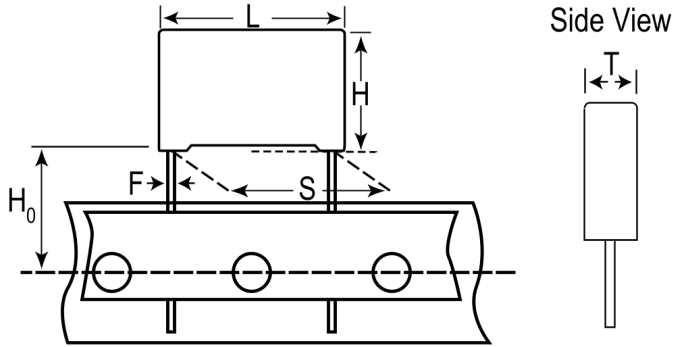


PHE426RB4820JR17T0

Aliases (F426BE822J1K6L, PHE426RB4820JB05R17T0)

PHE426/F426, Film, Metallized Polypropylene, General Purpose, 8200 pF, 5%, 1600 VDC, 85°C, Lead Spacing = 15mm



Click [here](#) for the 3D model.

Dimensions

L	18mm MAX
H	12.5mm MAX
T	5.5mm MAX
S	15mm +0.6/-0.1mm
H0	17mm NOM
F	0.8mm NOM

Packaging Specifications

Packaging	T&R
Packaging Quantity	600

General Information

Series	PHE426/F426
Dielectric	Metallized Polypropylene
Style	Radial
Features	Pulse
RoHS	Yes
Lead	Wire Leads
AEC-Q200	No
Notes	Not For New Design, Please Check Possible Alternative Parts (AltPart).

Specifications

Capacitance	8200 pF
Capacitance Tolerance	5%
Voltage AC	650 VAC
Voltage DC	1600 VDC, 1184 VDC (105C)
Temperature Range	-55/+105°C
Rated Temperature	85°C
Dissipation Factor	0.05% 1kHz, 0.25% 100kHz
Insulation Resistance	100 GOhms
Max dV/dt	1500 V/us
Inductance	6 nH

单击下面可查看定价，库存，交付和生命周期等信息

[>>KEMET\(基美\)](#)