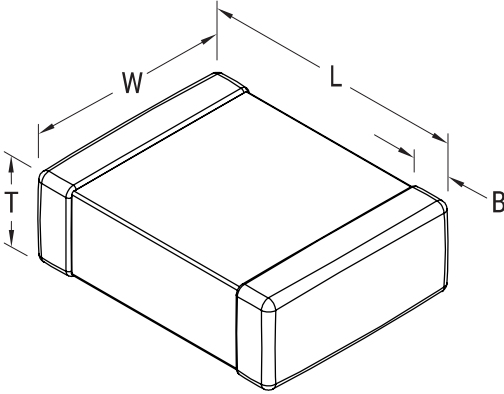


SMD Comm X7R Flex, Ceramic, 10 uF, 5%, 25 VDC, X7R, SMD, MLCC, FT-CAP, Temperature Stable, 1210



Dimensions

Chip Size		1210
L		3.3mm +/-0.4mm
W		2.6mm +/-0.3mm
T		2.5mm +/-0.30mm
B		0.6mm +/-0.25mm

Packaging Specifications

Packaging:	Bulk, Bag
Packaging Quantity:	1

General Information

Series:	SMD Comm X7R Flex
Style:	SMD Chip
Description:	SMD, MLCC, FT-CAP, Temperature Stable
Features:	FT-CAP, Temperature Stable
RoHS:	Yes
Termination:	Flexible Termination
Marking:	No
AEC-Q200:	No
Component Weight:	135 mg
Shelf Life:	78 Weeks
MSL:	1

Specifications

Capacitance:	10 uF
Measurement Condition:	1 kHz 1.0Vrms
Capacitance Tolerance:	5%
Voltage DC:	25 VDC
Dielectric Withstanding Voltage:	62.5 VDC
Temperature Range:	-55/+125°C
Temperature Coefficient:	X7R
Capacitance Change with Reference to +25°C and 0 VDC Applied (TCC):	15%, 1kHz 1.0Vrms
Dissipation Factor:	10% 1 kHz 1.0Vrms
Aging Rate:	3% Loss/Decade Hour: Referee Time is 1000 Hours
Insulation Resistance:	10 MOhms

单击下面可查看定价，库存，交付和生命周期等信息

[>>KEMET\(基美\)](#)