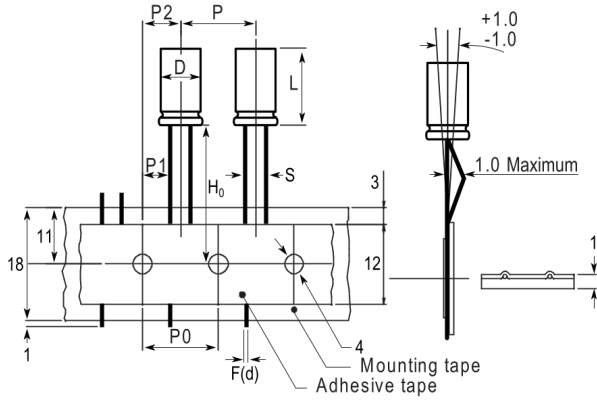


Straight Leads Diameter > 8  
Lead and packaging code EA and KA



Note: '( )' correspond to the letters used in the product bulletin

Click [here](#) for the 3D model.

Dimensions	
D	10mm +/-0.5mm
L	12mm +1.5mm
S	5mm +/-0.5mm
LL Negative	15mm MIN
LL Positive	20mm MIN
F	0.6mm NOM

Packaging Specifications	
Packaging	T&R
Packaging Quantity	600

General Information	
Series	ESC
Dielectric	Aluminum Electrolytic
Description	LowESR Single Ended Aluminum Electrolytic
Features	Low ESR
RoHS	Yes
Lead	Wire Leads
AEC-Q200	No

Specifications	
Capacitance	220 uF
Capacitance Tolerance	20%
Voltage DC	35 VDC, 44 VDC (Surge)
Temperature Range	-40/+105°C
Rated Temperature	105°C
Life	2000 Hrs
Dissipation Factor	10%
Resistance	0.069 Ohms (100kHz)
Ripple Current	800 mAmps (100kHz 105C)
Leakage Current	77 uA (2min 20°C)
Impedance Ratio at -25C	3
Impedance Ratio at -40C	4

单击下面可查看定价，库存，交付和生命周期等信息

[>>KEMET\(基美\)](#)