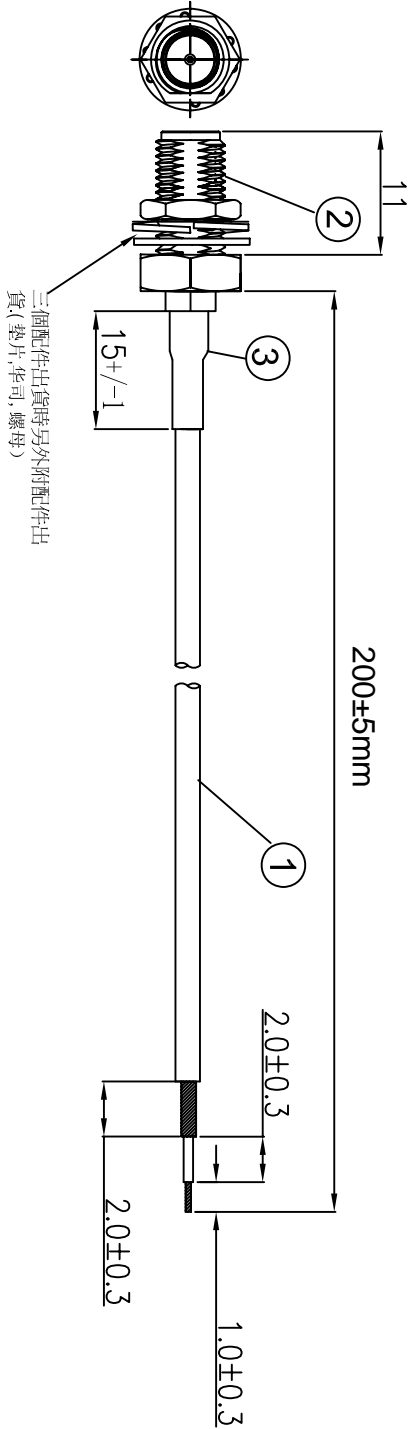


REVISIONS					
REV	NUMBER	DESCRIPTION	DWN	CHK	DATE
A		DESIGN			



NOTES:

- ELECTRICAL:
  - VOLTAGE RATING:DCV 300V 10MS
  - CONDUCTANCE RESISTANCE: 3.0 OHM/MAX.
  - INSULATION RESISTANCE: 5.0M OHM/MIN.
  - THE CABLE SHOULD BE 100% ELECTRICAL TEST
  - IT SHOULD BE NO ANY OPENS/SHORT, MISWIRING AND INTERMITTENT FAILURES.
- MATERIAL:
  - SEE TABLE
- ALL COMPONENTS ARE ROHS COMPLIANT.

ITEM NO.	PART NUMBER	DESCRIPTION	QTY.
①	同轴线	RF 178棕色线, OD:1.8 mm	AS
②	接头	SMA母头母针, 分体, 11牙, 镀金	1
③	套管	黑色热缩套管, OD:2.0MM	AS

深圳市金航标电子有限公司

WWW.BDS666.COM

型号: KH-122-178SMA-200

0755-83044319

ALL DIMENSION ARE IN MM		DRAWN	DATE	SMA /F TO OPEN L=200mm	
		Janny	2020-06-15	SIZE	REV
COMPUTER GENERATED IN SOLIDWORKS		ENG.		Number	A
DO NOT SCALE THIS DRAWING		MFG.			
PROJECTION		Q.A.		SCALE: Free	TYPE
GENERAL TOLERANCE FOR ANGLES X.X X.XX X.XXX ± 1° ± 0.3 ± 0.25 ± 0.150					SHEET 1 OF 1

CUSTOMER P/N:

单击下面可查看定价，库存，交付和生命周期等信息

[>>kinghelm\(金航标\)](#)