

RoHS & HF

Kinghelm®

NOTE:

1.MATERIAL:

- 1.1 HOUSING: LCP, UL 94V-0
COLOR: BLACK.
- 1.2 CONTACT: C2680, T=0.20mm.
- 1.3 SHIELD: C2680, T=0.40mm.
- 1.4 COVER: LCP, UL 94V-0

2.FINISH:

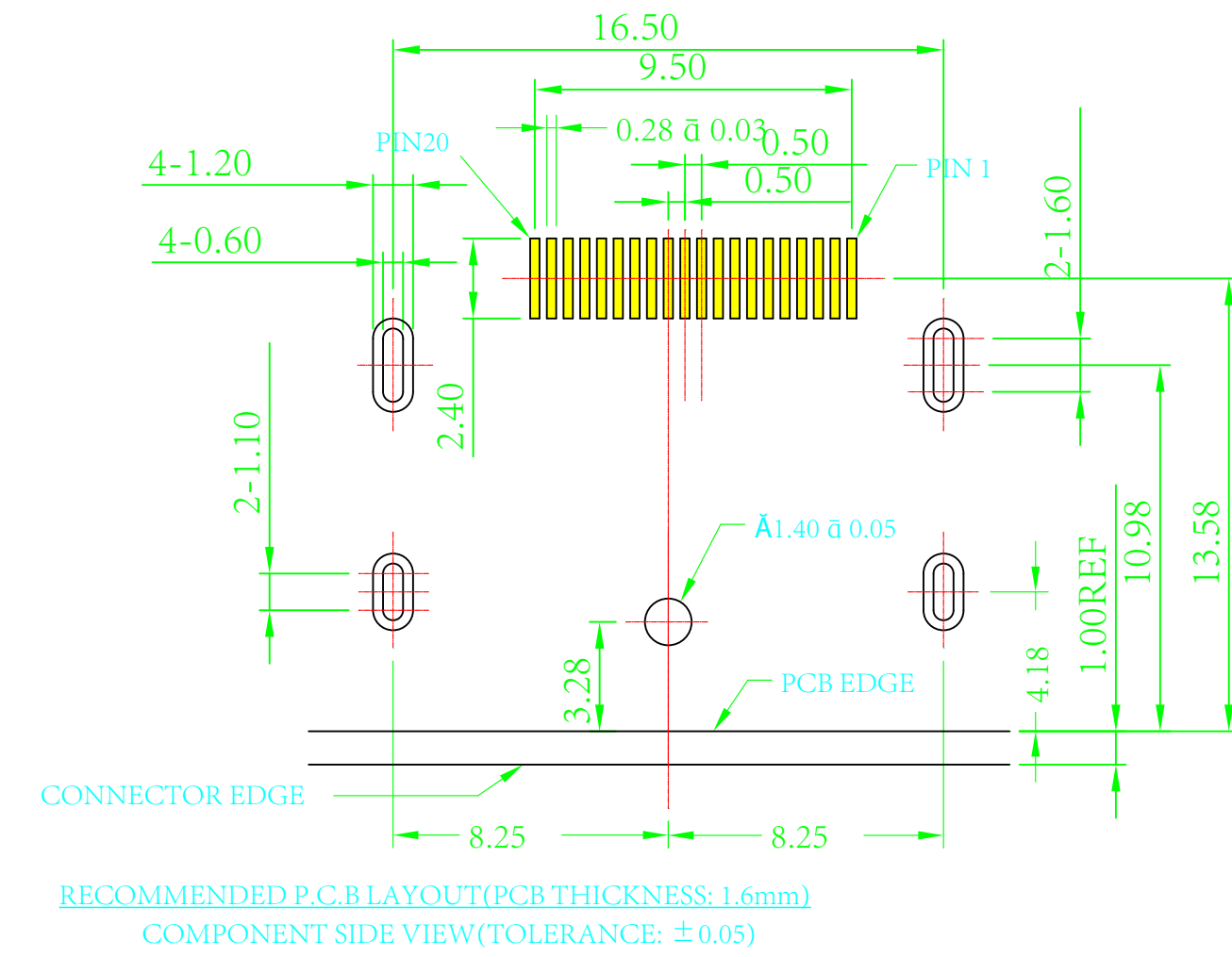
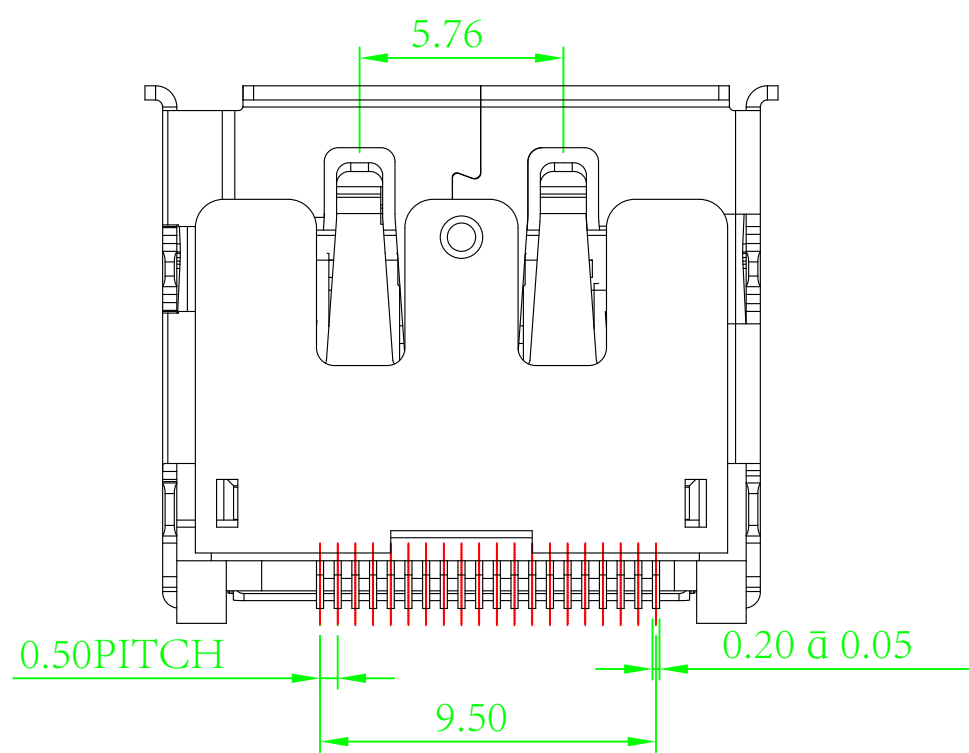
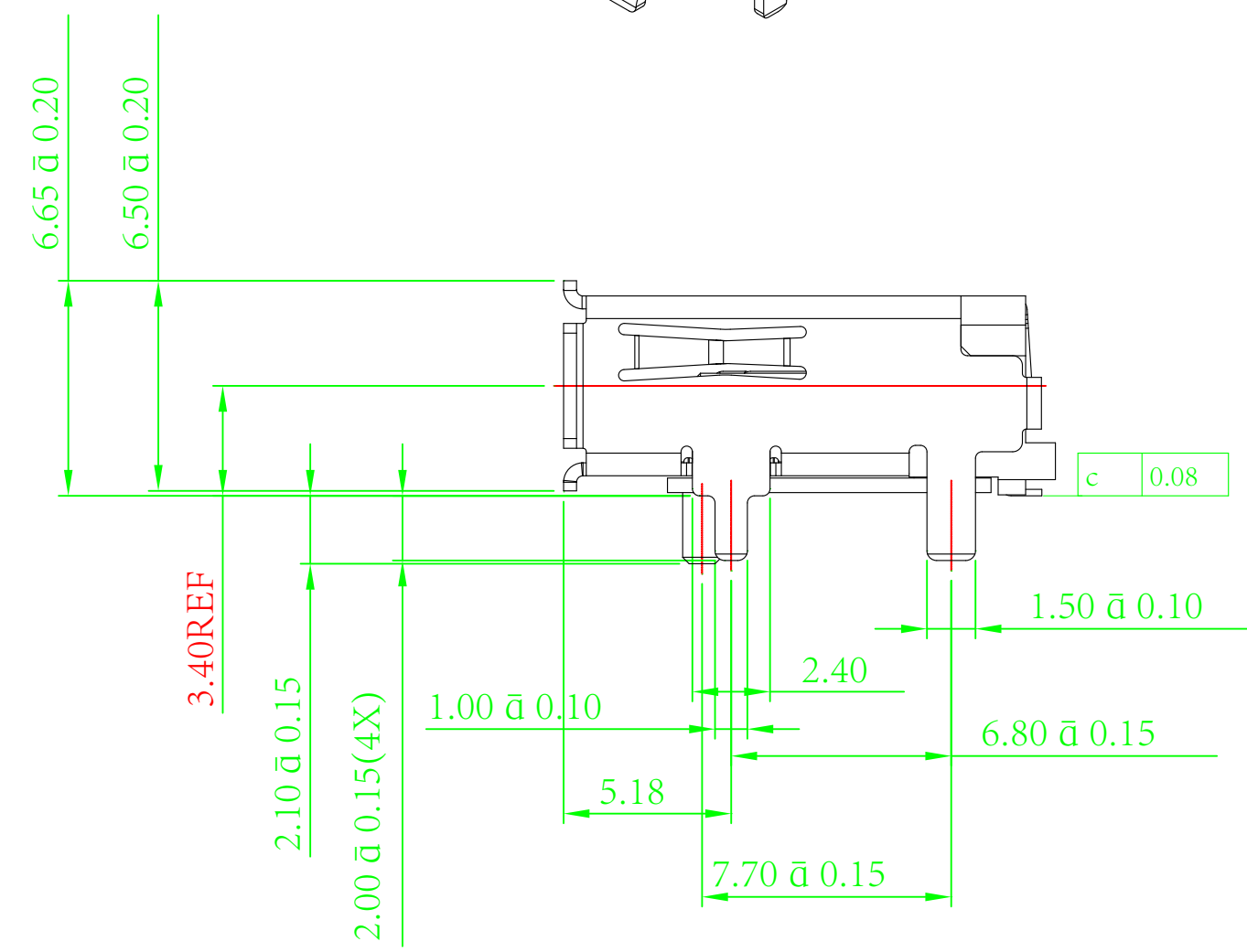
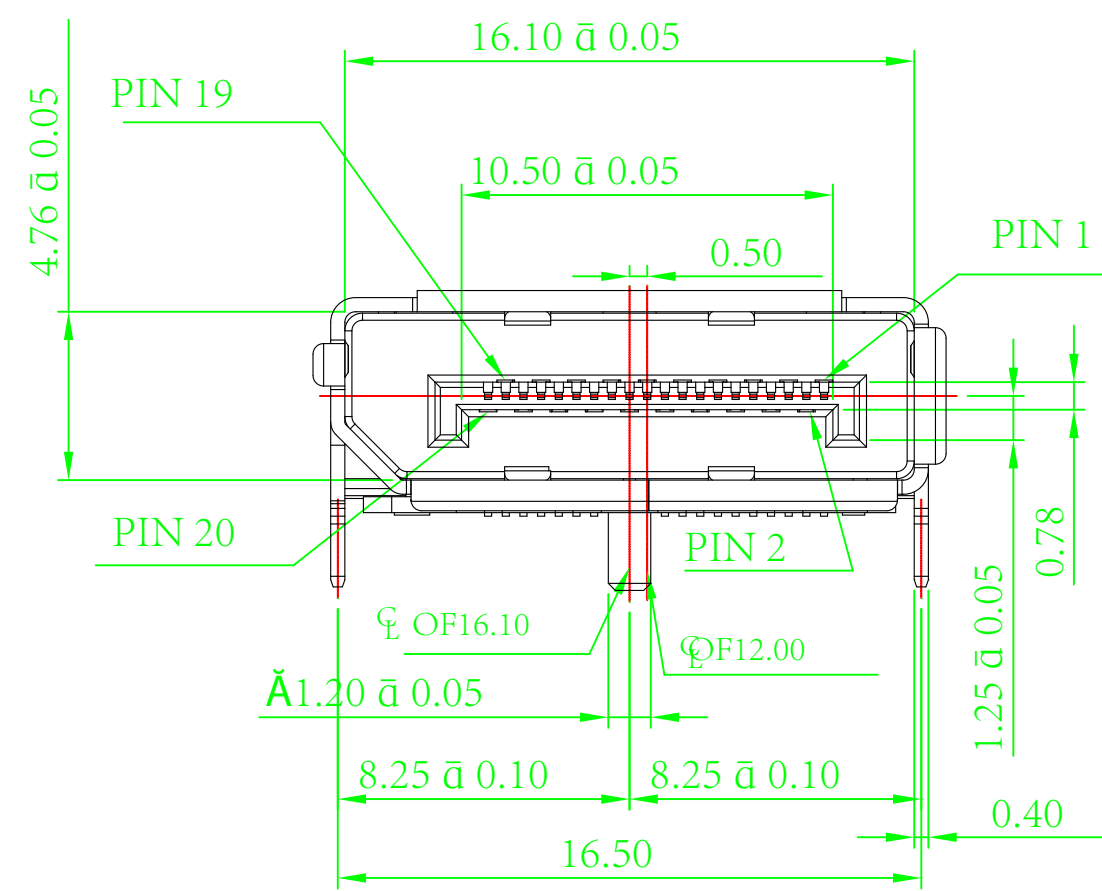
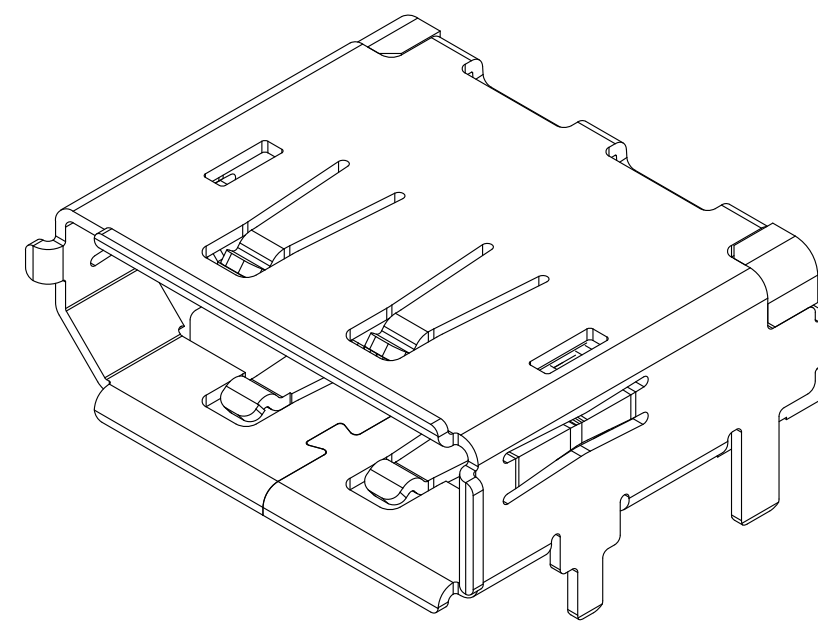
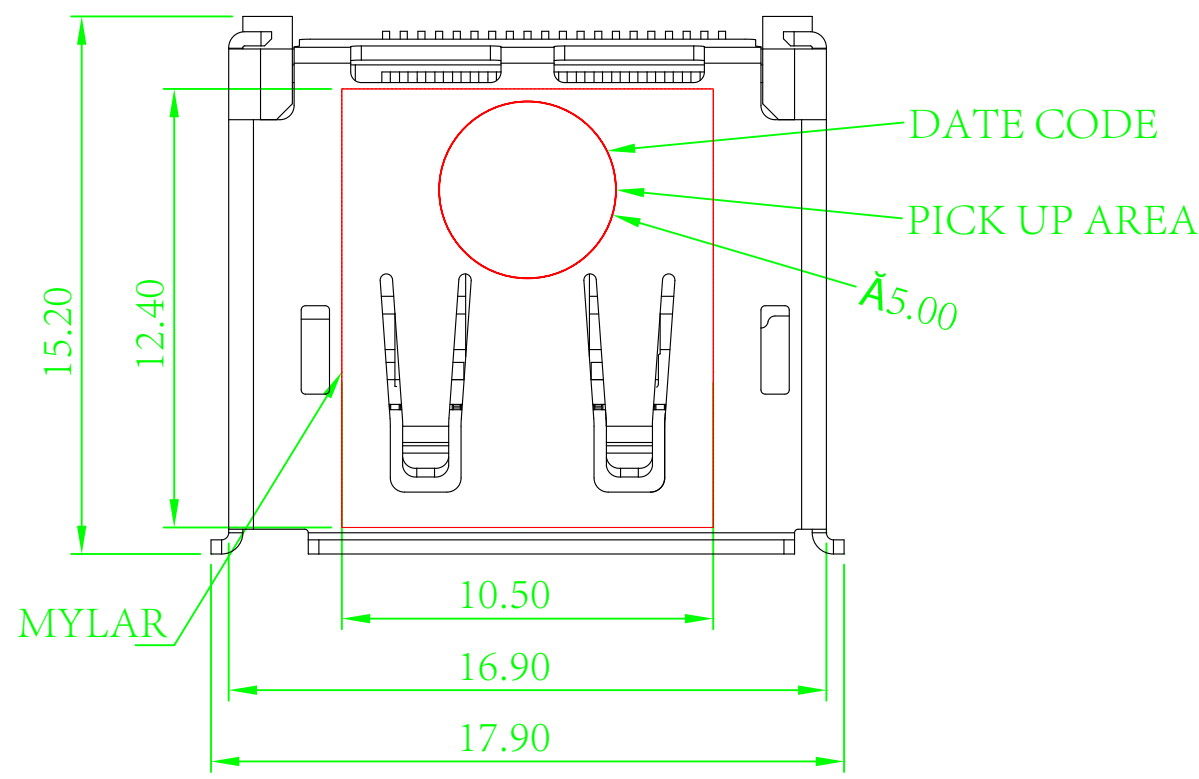
- 2.1 CONTACT: GOLD PLATING 15U"IN CONTACT AREA,
80u"MIN T_{IN} PLATED IN SOLDER AREA,
50u" MIN. NICKEL UNDERPLATED OVERALL.
- 2.2 SHIELD: 50u" MIN. NICKEL UNDERPLATED OVERALL.

3.MECHANICAL CHARACTERISTICS

- 3.1 RATING CURRENT: 0.5A
- 3.2 RATING VOLTAGE: 40V
- 3.3 CONTACT RESISTANCE: 40 mΩ MAX
- 3.4 INSULATION RESISTANCE:
 - a, UNMATED: 100MΩ MIN AT 500 VDC
 - b, MATED: 10M OHMS MIN AT 150 VDC
- 3.5 DIELECTRIC WITHSTANDING VOLTAGE: 500V AC/1MINUTE
- 3.6 DURABILITY: 10000 CYCLES.
- 3.7 MATING FORCE: 4.5KGF MAX.
UNMATING FORCE: 1~4 KGF.
- 3.8 OPERATING TEMPERATURE: -20ÂC--+85ÂC
- 3.9 STORAGE TEMPERATURE: -20ÂC--+65ÂC

4. NOTES:

- 4.1 ALL COMPONENTS ARE RoHS COMPLIANT.
- 4.2 RESISTANCE TO SOLDERING HEAT: 265 ° C FOR 10 SECONDS.



REV	变更处	变更描述	变更人	日期
A	-	NEW	wang	2021.06.01

TOLERANCE UNSPECIFIED		TITLE:		深圳市金航标电子有限公司		
X. XXX	± 0.15	DP SMT 带翻边 塑胶底座		SHENZHEN KINGHELM ELECTRONIC TECHNOLOGY CO.,LTD.		
X. XX	± 0.25	PART NO.		UNIT	DESIGNER	wang
X. X	± 0.35	KH-DP-2.0JB-SMT		mm	CHECKED	
X.	± 0.50		SCALE	REV	SHEET	APPROVED
ANGLE	± 3°		1:1	A	1 of 1	DATE

单击下面可查看定价，库存，交付和生命周期等信息

[>>kinghelm\(金航标\)](#)