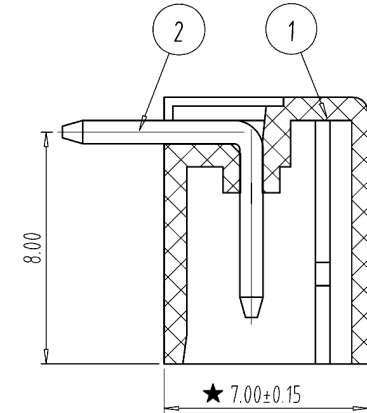
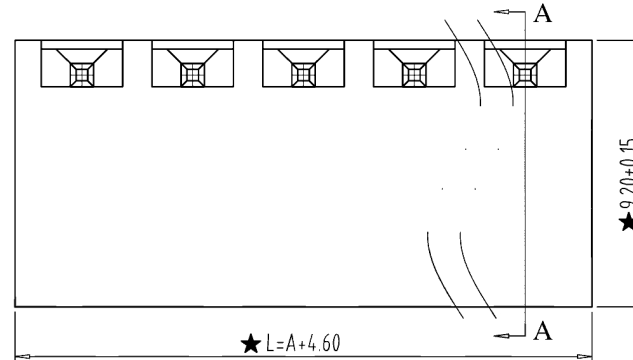
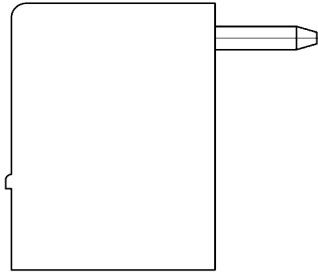


|      |         |     |            |
|------|---------|-----|------------|
| REV  | CONTENT | CHK | DATE       |
| V0.0 | CONTENT | SK  | 2014-11-29 |

**Kinghelm®**

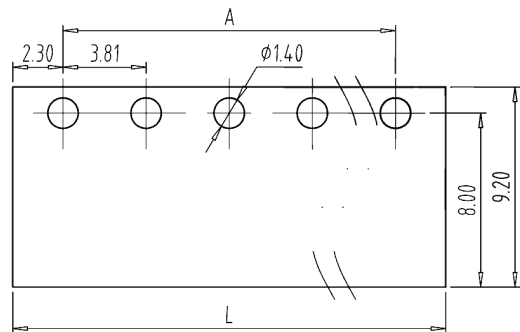
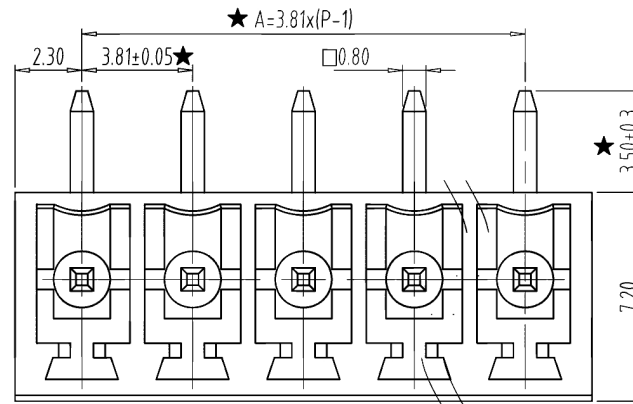
型号: KH-15EDGRC-3.81-16PG



**SECTION:A-A**

NOTES:

- 1.Rating:300V 8A ,
- 2.Insulation Withstands Voltage: AC2000V/MIN
- 3.Insulation Resistance: 500MΩ or more at DC500V
- 4.Using Temperature Range: -40°C---+105°C
- 5." ★ " is the important dimension



**PCB LAYOUT**  
S=3:1

| Total Pitch Tolerances in mm |         |         |         |         |          |          |          |          |          | Nominal dimension range in mm |         |         |         |         |          |          |          |          |          | ⊥      | =       | -        | //       |          |  |  |  |  |
|------------------------------|---------|---------|---------|---------|----------|----------|----------|----------|----------|-------------------------------|---------|---------|---------|---------|----------|----------|----------|----------|----------|--------|---------|----------|----------|----------|--|--|--|--|
| over 0                       | over 30 | over 53 | over 70 | over 90 | over 115 | over 150 | over 250 | over 350 | over 500 | over 0                        | over 30 | over 53 | over 70 | over 90 | over 115 | over 150 | over 200 | over 250 | over 320 | over 0 | over 10 | over 100 | over 150 | over 150 |  |  |  |  |
| ±0.18                        | ±0.20   | ±0.25   | ±0.3    | ±0.35   | ±0.44    | ±0.60    | ±0.70    | ±0.85    | ±0.20    | ±0.25                         | ±0.30   | ±0.35   | ±0.44   | ±0.55   | ±0.70    | ±0.80    | ±0.90    | 0.2      | 0.3      | 0.3    | 0.2     | 0.3      | 0.5      |          |  |  |  |  |

|              |              |             |          |          |   |
|--------------|--------------|-------------|----------|----------|---|
| 2            | PIN          | ZF100B0001  | P        | BRASS    | Sn Plated                                     |
| 1            | HOUSING      | ZF200A0XXXX | 1        | PA66(V0) |   |
| ITEM         | NAME OF PART | NO. OF PART | Q'TY     | MATERIAL | NOTE  |
| DWG.         | CXL          | DATE        | 14.06.06 | SIZE     | A4 UNITS mm SHEET/OF 1/1                      |
| CHK.         |              | DATE        |          | SCALE    | 4:1 15---3.81(11.0)                           |
| APP.         |              | DATE        |          |          | <b>WWW.BDS666.COM</b><br><b>0755-83044319</b> |
| 深圳市金航标电子有限公司 |              |             |          |          |   |

单击下面可查看定价，库存，交付和生命周期等信息

[>>kinghelm\(金航标\)](#)