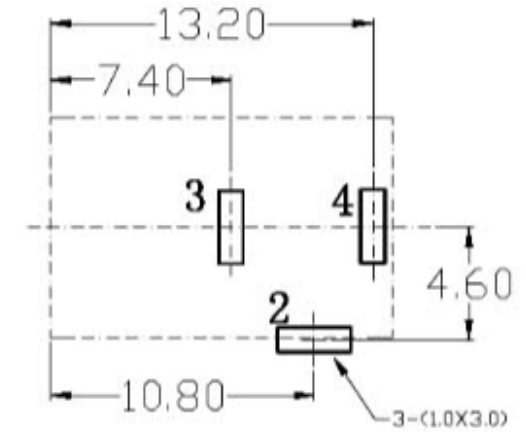
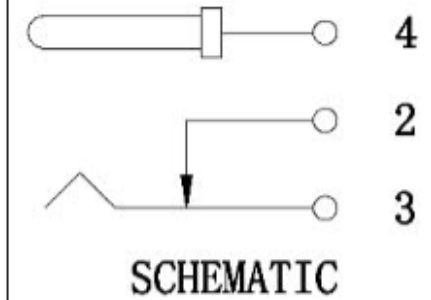
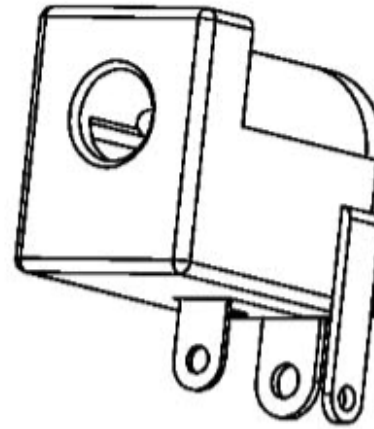
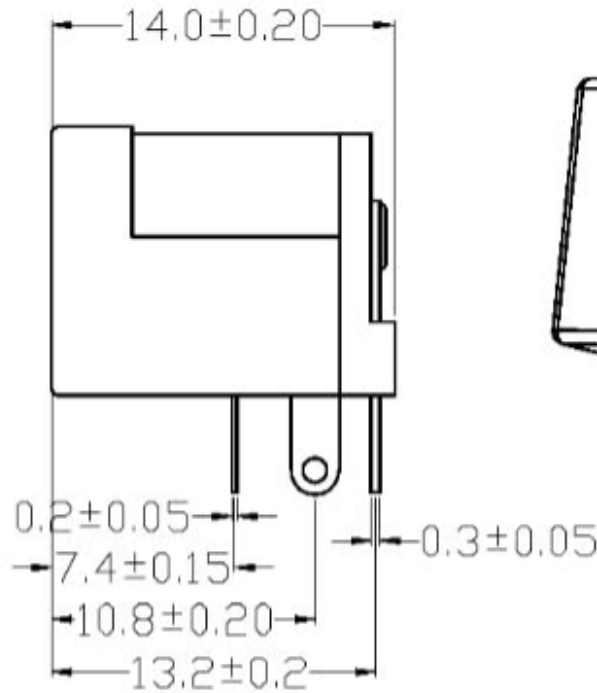
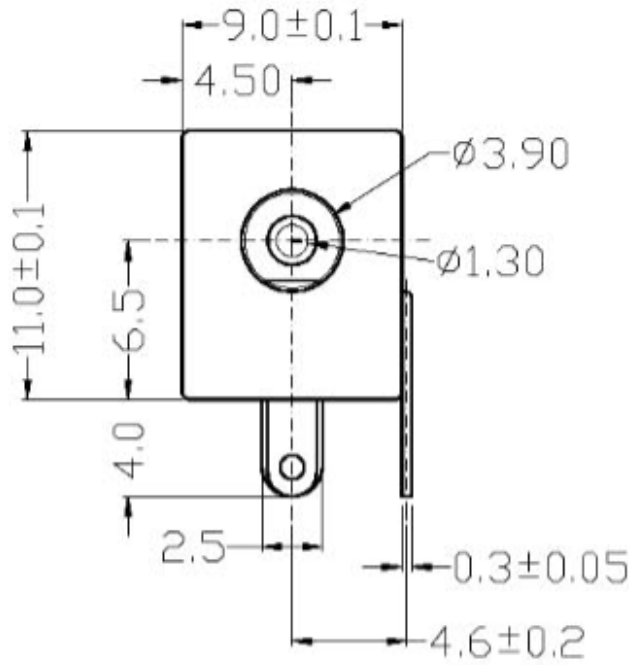
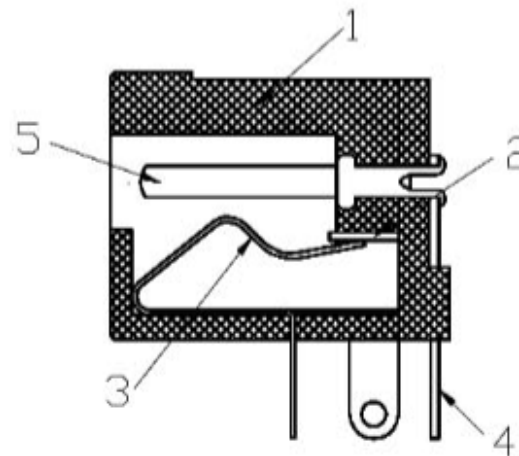
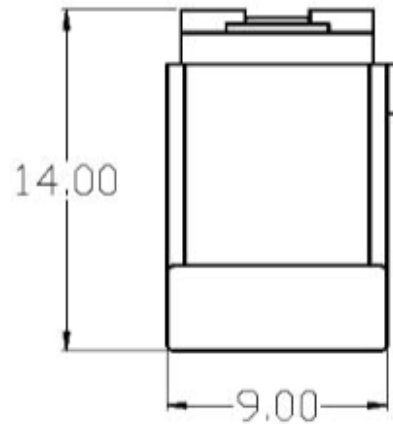


REV.	ECN NO.	LOCAS.	DESCRIPTION	DATE	DESIGN
A0				081018	HANG
C					HANG



PIN	Ø1.3	Ø2.0	Ø2.5
APPD	✓		

PCB LAYOUT



SPECIFICATION:

1. RATING: DC 30V 0.5A
2. CONTACT RESISTANCE: 30mΩ Max
3. INSULATION RESISTANCE: 100MΩ (DC250V) Min
4. WITHSTAND VOLTAGE: 500VAC
5. INSERTION AND EXTRACTION FORCE: 3-20N
6. LIFE TEST: 5000 CYCLES

NO.	PARTS	MATERIALS	QTY	REMARKS
5	PLUG PIN	BRASS	1	NI PLATED
4	CONTACT 4#	BRASS STRIP	1	Ag PLATED OVER NI
3	CONTACT 3#	BRONZE STRIP	1	Ag PLATED OVER NI
2	CONTACT 2#	BRASS STRIP	1	Ag PLATED OVER NI
1	HOUSING	NYLON/PA66+F.G	1	BLACK

Downloaded From Oneyac.com

深圳市金航标电子有限公司 WWW.BDS666.COM
 KH-DC-005C-1.3 0755-83044319

DIM	TOL	DIM	TOL
X.	±0.30	X*	±4.0'
X.X	±0.25	X.X*	±3.0'
X.XX	±0.20	X.XX*	±2.0'
X.XXX	±0.05	X.XXX*	±1.0'

DRAW NO.	DATE	DESIGN	DATE	CHECK	DATE	APPROVED	DATE	UNIT:	SHEET:	REV. C	SCALE
		HANG	081218	WANGCM	081218	HUYX	081218	mm	N/A		N/A

DRAW NAME:		FILE:
DC POWER JACK		
P/N NO.	DC-09005C-13	MODEL:
		REV. C
		SCALE N/A

单击下面可查看定价，库存，交付和生命周期等信息

[>>kinghelm\(金航标\)](#)