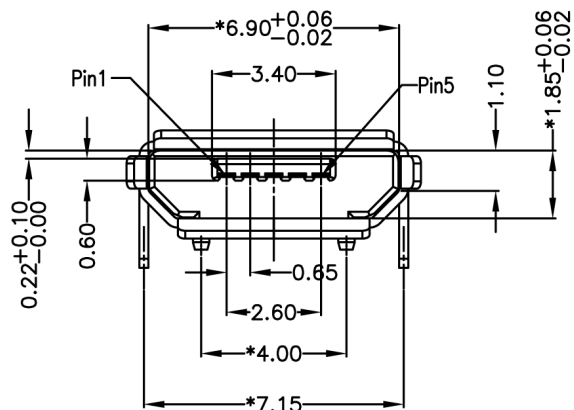
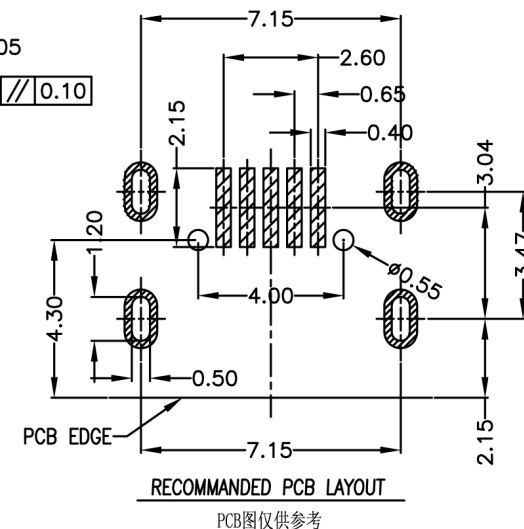
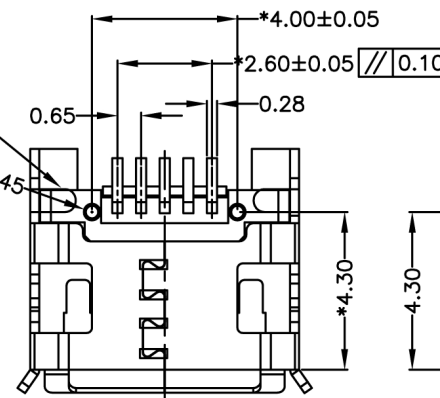
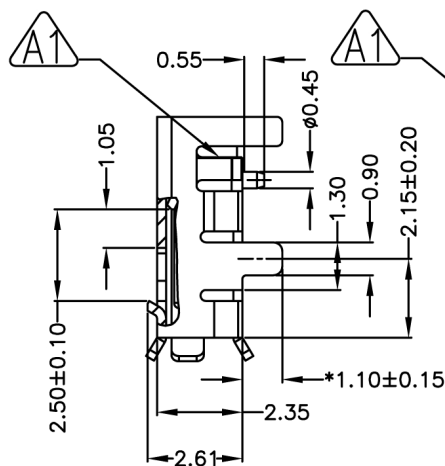
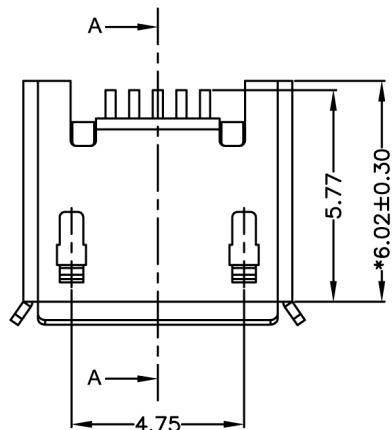
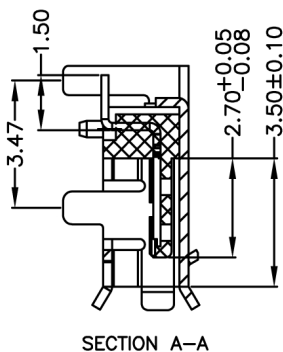
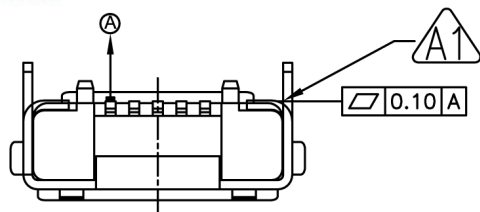


REV.	ZONE	DESCRIPTION	DESIGN	DATE
A		新规制作		2016. 12. 20
A1		增加定位扣		2017. 01. 10



Note:

1. Material:

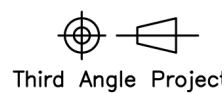
- 1.1 Housing: High temperature thermoplastic with g.f,UL94v-0
- 1.2 Contact: copper alloy,t=0.20mm
- 1.3 Shell: copper alloy or SUS,t=0.25mm

2. Specification:

- 2.1 Current rating:1,5PIN 1.8A Max/2,3,4PIN 1A Max.
- 2.2 Dielectric withstanding voltage: 100 V(ac) for 1 min.

- 2.3 Contact resistance: 30 mΩ Max.
- 2.4 Insulation resistance: 100 MΩ Min.
- 2.5 Total mating force: 3.57 Kgf Max.
- 2.6 Total unmating force: 1.0 Kgf Min.
- 2.7 Temperature range: -30°C~80°C

Unless otherwise specified tolerances are		深圳市金航标电子有限公司		WWW.BDS666.COM	
X.	±0.25	型号: KH-MICRO-SMT.ZJ-5P		0755-83044319	
X.X	±0.15	DRAW NO.	2016122001	DATE	2016.12.20
X.XX	±0.10	DWN	Wang lian	DRAW NAME: Micro usb 5P B Type 插板7.2有柱 脚长1.1四脚全插加长0.75 (卷边)	
X.XXX	±0.05	CHK		P/N : 1110-205001	
X°	±2.0°	APVD			
X.X°	±1.0°				



Third Angle Project

FINISH	UNIT	SCALE	WEIGHT	REV	SHEET
MATERIAL	mm	1:1		A	1 OF 1

单击下面可查看定价，库存，交付和生命周期等信息

[>>kinghelm\(金航标\)](#)