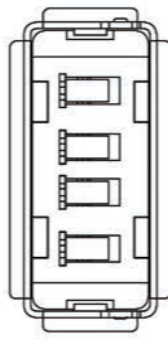
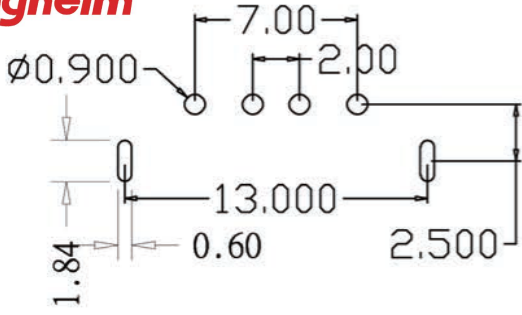


**Kinghelm®**

1	2	3	4	5	6	7	8
Mapx	Modification	Date	Draw	Approve			

A

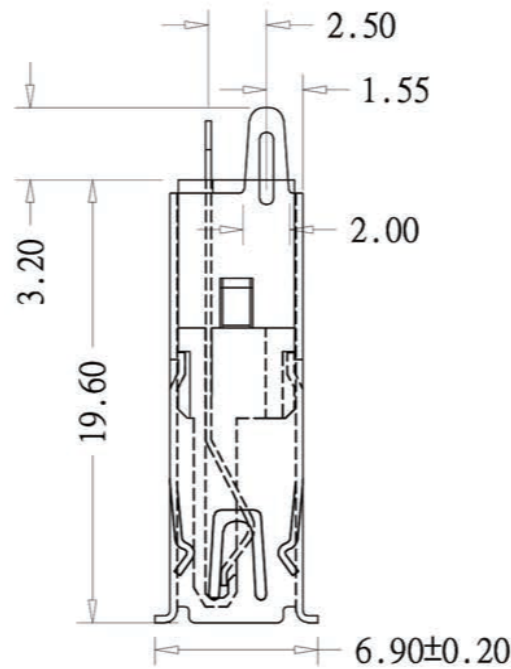
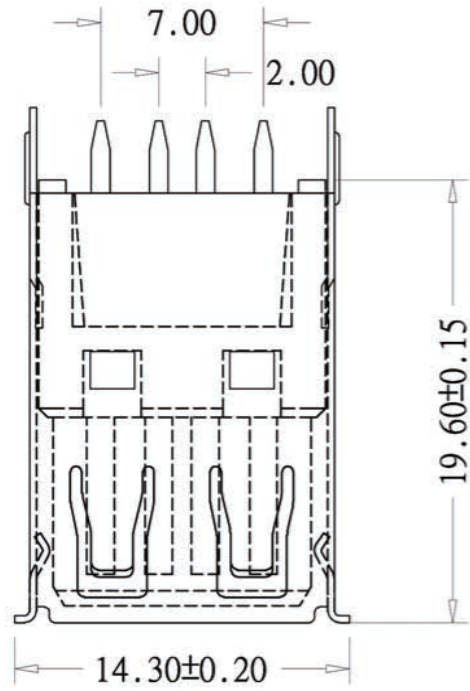


规格说明: Specifications:

1. 额定电流: Current Rating  
1.5A/contact terminal
2. 额定电压: Voltage Rating  
30V DC
3. 接触电阻: Contact Resistance  
30 milliohms MAX
4. 耐电压: Dielectric Withstanding Voltage:  
500 V AC AT Sea Level
5. 绝缘电阻: Insulation Resistance:  
1000MEGA ohms MIN

B

C



物理性能: Mechanical:

1. 插拔力: Connector Mate and Unmate Force  
Mate force: 3.57kgf(MAX)  
Unmate force: 1.02kgf(MIN)
2. 端子保持力: Terminal Retention  
1.0kgf(MIN)

D

E

1. 塑胶: Housing:  
Hing Temperature Thermoplastics,
2. 端子: Contact: Copper Alloy C2680
3. 外壳: Shell: Copper Alloy C2680/SPCC

1. 端子: Contact: Plated Gold in Mating Area  
Tin On Solder Talls

端子四周镀50U”(MIN)镍,镀金区域镀100-200U”镀金1U”

铜壳四周镀80U”(MIN)镍

Nickel Plating

F

成品图 MANUFACTURE DWG		深圳市金航标电子有限公司			WWW.BDS666.COM		
公差一览表 TOLERANCE UNLESS OTHERWISE		KH-AF180ZJ-19.6-JB			0755-83044319		
.X±0.15	.X±5'	日期 DATE	单位 UNIT	MM	制图 DRAWING	DWG NO.	
.XX±0.05	.X±2'	审核 CHECKED	比例 SCALE	1:1	设计 DESIGN	品名 NAME	插座母座
.XXX±0.02	.XX±1'	核准 APPROVE	角注 VIEW			版本 VER	页数 SHEET

单击下面可查看定价，库存，交付和生命周期等信息

[>>kinghelm\(金航标\)](#)