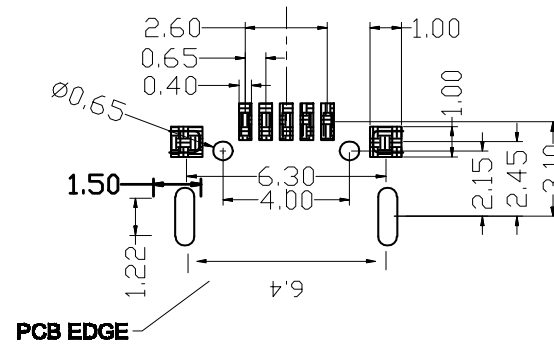
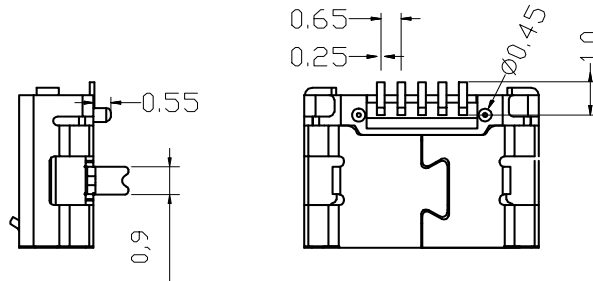
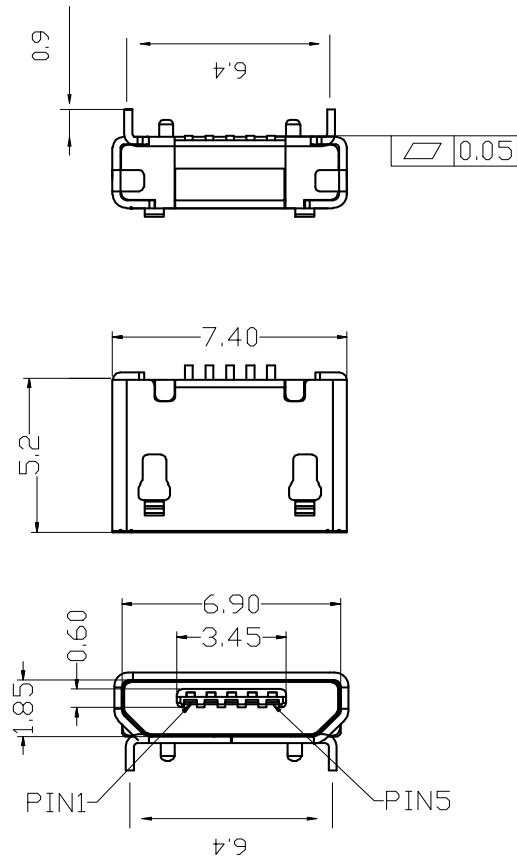


REV.	DESCRIPTION	DRAWN/DATE	APPROVED/DATE



RECOMMENDED PCB LAYOUT  
TOLERANCE: ±0.05

## NOTES:

1. MATERIAL:
  - 1.1 HOUSING:THERMOPLASTIC FLAMMABILITY RATING UL94-0
  - 1.2 CONTACT:COPPERY ALLOY T=0.15MM
  - 1.3 SHELL: COPPERY ALLOY T=0.25MM
2. FINISH:
  - 2.1 CONTACT:
    - 3U"MIN,PLATED ON CONTACT AREA
    - G/F PLATING ON SOLDER TAIL AREA
    - 50~80U" NICKEL UNDERPLATING OVERALL
  - 2.2 SHELL:
    - 80~120U" MATTER TIN PLAING ALL
    - 50~80U" NICKEL UNDERPLATING OVERALL
3. SPECIFICATION:
  - 3.1 CURRENT RATING:0.5A(2.3.4CONTACT)/1.8A (1.5CONTACT)MAX.
  - 3.2 VOLTAGE:30 VAC
  - 3.3 TEMPERATURE RANGE:-30°C~85°C
  - 3.4 CONTACT RESISTANCE:30 MILLIONHM MAX.
  - 3.5 DIELECTRIC WITHSTANDING VOLTAGE;250VAC R.M.S
  - 3.6 INSULATION RESISTNACE:100 MEGOHMS MIN

GENERAL TOLERANCE	ANGLE TOLERANCE	DESIGN ZQL	DATE	深圳市金航标电子有限公司	WWW.BDS666.COM
X. ±0.35	X' ±2.0'	CHECK ZQL	DATE	KH-MICRO6.4ZH-5P	0755-83044319
.X ±0.25	.X' ±1.0'	APPRO.	DATE	FILE NAME(???)	<b>MICRO USB 5PIN TYPE DIP SMT</b>
.XX ±0.15	.XX' ±0.5'	UNIT:mm	SCALE 1:1	PART NO(???)	
.XXX ±0.10		A4	SHEET: 1 of 1	DRAWING NO(???)	REV. A0

单击下面可查看定价，库存，交付和生命周期等信息

[>>kinghelm\(金航标\)](#)