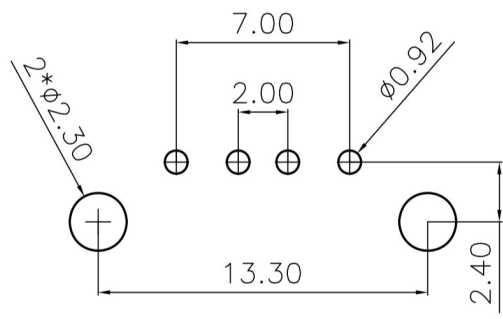
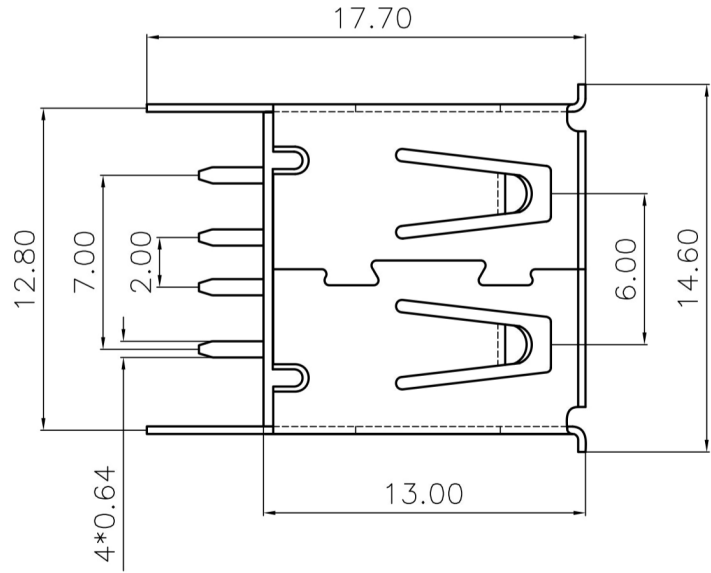
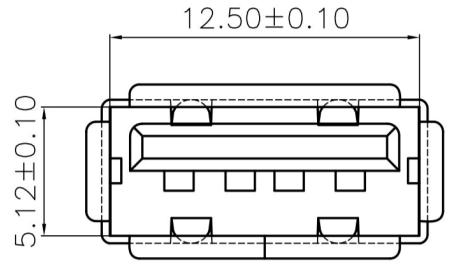
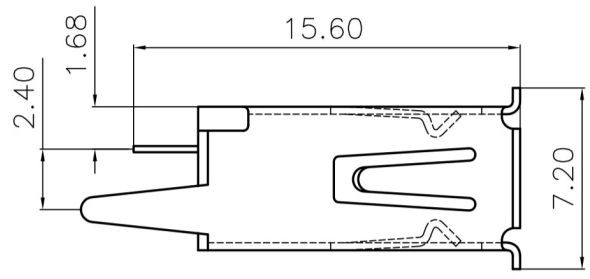


Kinghelm®

REV.	ECN.NO.	APPD.
A	/	LXQ

NOTES:

- 1.MATERIAL:
 - 1.1 Housing:thermoplastic plastics
 - 1.2 terminals:Copper Alloy
Gold plated in contact area
Tin plated in termination
Nickel Plated overall
 - 1.3 Shell:Steel&Copper Alloy
Nickel Plated overall
- 2.ELECTRICAL CHARACTERISTICS:
 - 2.1 Rating Current :1.5 Ampere
 - 2.2 Rating Voltage :30 V Max
 - 2.3 Contact Resistance:30 Milli ohms
 - 2.4 Insulation Resistance:1000 Mega ohms Min.
- 3.MECHANICAL CHARACTERISTICS:
 - 3.1 Connector Mating force: 35N MAX(3.57Kgf)
 - 3.2 Connector Unmating force:10N min(1.02Kgf)
 - 3.3 Durability:1500Cycles.
- 4.ENVIRONMENT CHARACTERISTICS:
 - 4.1 Operating temperature:-0°C to +50°C
 - 4.2 Storage temperature:-20°C to +60°C



PCB.LAYOUT

U223-011X-XXX0XR

- | | |
|------------------------------|-------------------|
| 1:Iron alloy
Ni plating | 1:tray |
| 5:Copper alloy
Ni plating | 2:Tube |
| 1:Au 1u" | 8:Tape&Reel |
| 3:Au 3u" | 9:Tape&Reel+Mylar |
| 5:Au 5u" | 1:Black |
| 7:Au 10u' | 2:White |
| 8:Au 15u" | 3.Beige |
| A:Au 30u" | 4.Pure White |
| | 1:PA66 |
| | 2:PBT |
| | 6:LCP |

TOLERANCE UNLESS OTHERWISE SPECIFIED		深圳市金航标电子有限公司		WWW. BDS666. COM	
.XXX ±0.10	.X' ±0.20	KH-AF180ZJ-13-JB		0755-83044319	
.XX ±0.20	.X' ±0.30				
.X ±0.30	.XX' ±2'	PART NAME:		USB AF 180度直插13.0直脚	
APPROVED		PART No:		U223-011X-XXX0XR	
CHECKED		PROJECTION:		UNIT:	C
DRAWN	leixianqiang	SCALE	SHEET	REV.	
DATE	2015.03.18	mm	1:1	1 OF 1	A

单击下面可查看定价，库存，交付和生命周期等信息

[>>kinghelm\(金航标\)](#)