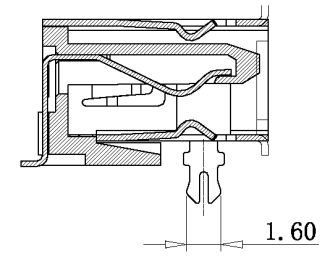
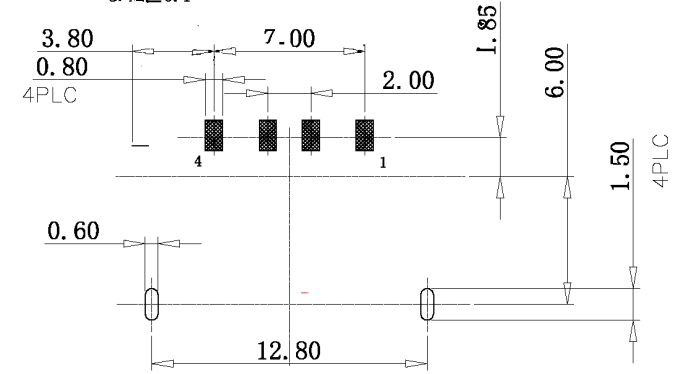
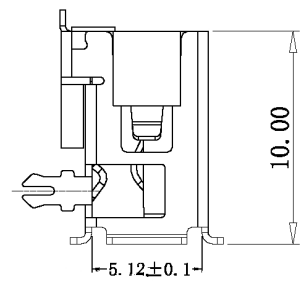


REV.	ECN NO	LTR	DESCRIPTION	REVISER	DATE

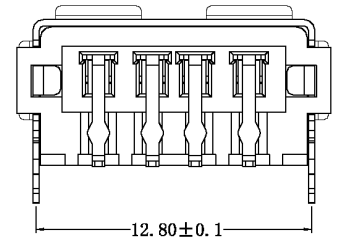
- 规格说明 (Specifications):
- 1.0 电气特性 (Electrical):
 - 1.1 额定电流 (Current Rating): 1.5A/Contact Terminal
 - 1.2 额定电压 (Voltage Rating): 30V DC
 - 1.3 接触阻抗 (Contact Resistance): 30 Milliohms Max
 - 1.4 耐电压 (Dielectric Withstanding Voltage): 500 V AC AT Sea Level
 - 1.5 绝缘阻抗 (Insulation Resistance): 1000MEGA Ohms Min
 - 2.0 物理性能 (Mechanical):
 - 2.1 插拔力 (Connector Mate And Unmate Force):
Mating Force: 3.57kgf (Max)
Unmating Force: 1.02kgf (Min)
 - 2.2 端子保持力 (Terminal Retention): 1.2kgf (Min)
 - 3.0 原材料 (Material):
 - 3.1 塑胶 (Housing):
Hing Temperature Ternmaplastics
UL 94V-0 PBT/LCP White/Black
 - 3.2 端子 (Contact):
Copper Alloy C2680 T=0.25MM
 - 3.3 外壳 (Shell):
Copper/Ferro Alloy C2680/SPCC T=0.30MM
 - 4.0 电镀 (Finish):
 - 4.1 端子 (Contact):
Plated Gold in Mating Area
Sn \geq 100U" Ni \geq 40U" Au=1U" /3U" /5U" /...
 - 4.2 外壳 (Shell):
Nickel Plating
12H(Cu \geq 80U" Ni \geq 60U")
24H(Cu \geq 100U" Ni \geq 80U")
48H(Cu \geq 120U" Ni \geq 100U")
...
- 5.0 Dimension marked 居 msut be controlled in QIP.



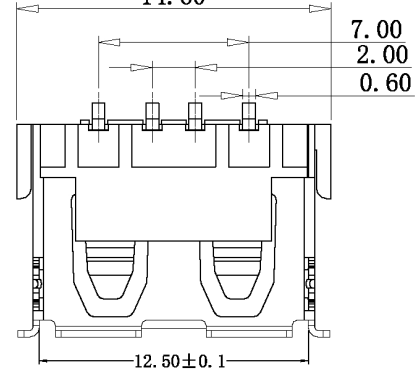
SECTION A-A



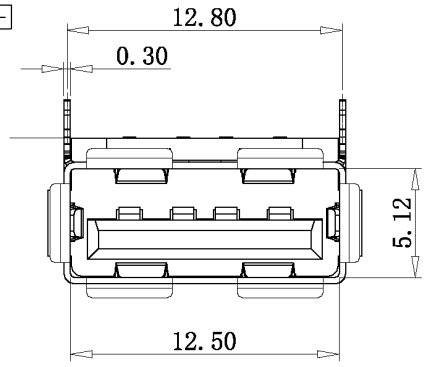
RECOMMENDED PCB LAYOUT



14.60



-A-



				深圳市金航标电子有限公司 KH-AF90QC-10JB-H6.8SMT				WWW.BDS666.COM 0755-83044319				
				公差一览表 TOLERANCE UNLESS OTHERWISE		单位 UNITS		MM		制图 DRAWING		制图料号 PRODUCT PART NO.
X.	±0.25	X.	±5.°	比例	1:1	审核	CHKD	产品名称	USB A/F 两脚插板有卷边端子SMT(短体10.0 H=6.8)			
.X	±0.20	.X	±2.°	日期	2015.11.1	核准	APPD	角法			版本	AO
.XX	±0.15	.XX	±1.°	DATE		APPD		VIEW			VER	
.XXX	±0.10	.XXX	±0.5°									

单击下面可查看定价，库存，交付和生命周期等信息

[>>kinghelm\(金航标\)](#)