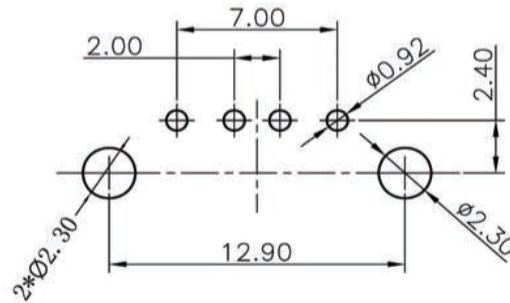
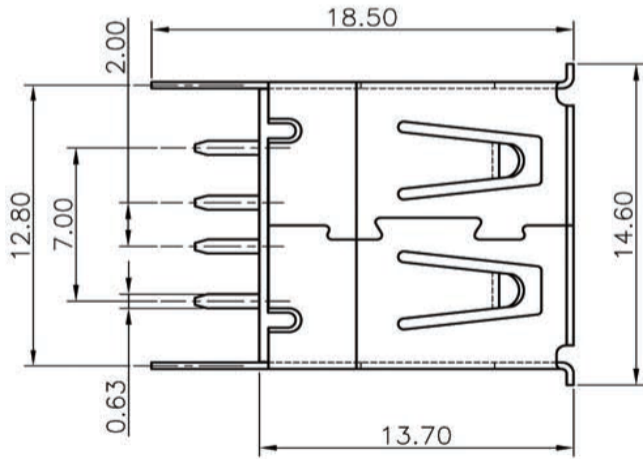
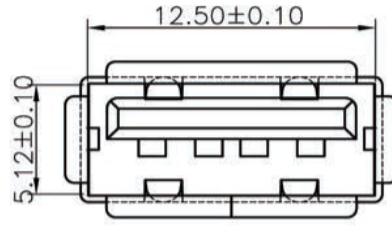
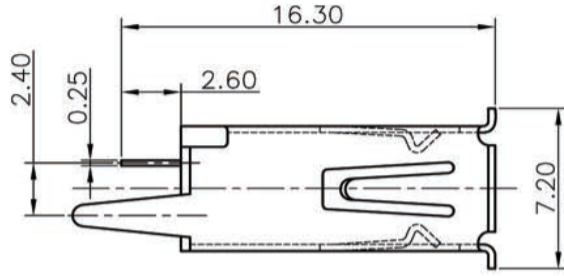


Kinghelm®

REV.	ECN. NO.	APPD.
A	/	LXQ

NOTES:

- 1.MATERIAL:
 - 1.1 Housing:thermoplastic plastics
 - 1.2 terminals:Copper Alloy
Gold plated in contact area:
Tin plated in termination
Nickel Plated overall
 - 1.3 Shell:Steel&Copper Alloy
Nickel Plated overall
- 2.ELECTRICAL CHARACTERISTICS:
 - 2.1 Rating Current :1.5 Ampere
 - 2.2 Rating Voltage :30 V Max
 - 2.3 Contact Resistance:30 Milli ohms
 - 2.4 Insulation Resistance:1000 Mega ohms Min.
- 3.MECHANICAL CHARACTERISTICS:
 - 3.1 Connector Mating force: 35N MAX(3.57KgF)
 - 3.2 Connector Unmating force:10N min(1.02KgF)
 - 3.3 Durability:1500Cycles.
- 4.ENVIRONMENT CHARACTERISTICS:
 - 4.1 Operating temperature:-0°C to +50°C
 - 4.2 Storage temperature:-20°C to +60°C



PCB.LAYOUT

TOL:±0.05

U223-021X-XXXOXR

- | | |
|------------------------------|-------------------|
| 1:Iron alloy
Ni plating | 1:tray |
| 5:Copper alloy
Ni plating | 2:Tube |
| 1:Au 1u" | 8:Tape&Reel |
| 3:Au 3u" | 9:Tape&Reel+Mylar |
| 5:Au 5u" | 1:Black |
| 7:Au 10u" | 2:White |
| 8:Au 15u" | 3:Beige |
| A:Au 30u" | 4:Pure White |
| | 1:PA66 |
| | 2:PBT |
| | 6:LCP |

TOLERANCE UNLESS OTHERWISE SPECIFIED		深圳市金航标电子有限公司		WWW. BDS666. COM		
.XXX ±0.10	.X* ±3°	KH-AF180ZJ-13.7-JB		0755-83044319		
.XX ±0.20	.XX* ±2°	PART NAME:	USB AF 180度直插13.7直脚			
.X ±0.30		PART No:	U223-021X-XXXOXR			C
APPROVED		PROJECTION:	UNIT:	SCALE	SHEET	REV.
CHECKED			mm	1:1	1 OF 1	A
DRAWN	leixianqiang					
DATE	2015.03.17					

单击下面可查看定价，库存，交付和生命周期等信息

[>>kinghelm\(金航标\)](#)