

NOTES:

MATERIAL:

- 1.HOUSING MATERIAL :GLASS FILLED POLYESTER(UL94V-0).
- 2.CONTACT MATERIAL :PHOSPHOR BRONZE ϕ 0.46mm (C5100).
- 3.PLATING :GOLD PLATING OVER NICKEL.

ELECTRICAL:

- 1.VOLTAGE RATING :125 VAC RMS.
- 2.CURRENT RATING :1.5 AMP.
- 3.CONTACT RESISTANCE :50 MILLIOHMS MAX.
- 4.INSULATION RESISTANCE :500 MEGOHMS MIN @ 500V DC.
- 5.DIELECTRIC WITHSTANDING RESISTANCE :1000V AC RMS 50Hz. 1MIN.

MECHANICAL:

- 1.DURRABILITY :750 CYCLES MIN.
- 2.PCB RETENTION PRE-SOLDER :1 LB MIN.

ENVIRONMENTAL:

- 1.STORAGE : -40°C TO +85°C.
 2. OPERATION : 0°C TO 70°C.
- MATES WITH MODULAR PLUG CONFORMING TO FCC PART 68,SUBPART F.

PART NUMBER:

▲ 98-0116400XX0X

98 SERIES
PCB JACK

(98系列PCB接口)

SHIELD (屏蔽壳):

- 1-W/O SHIELD (非屏)
 - 2-HALF SHIELD (半包)
 - 3-FULL SHIELD (全包)
- PORTS (插口):
- 1-1X1 (一口) . 2-1X2 (二口)
 - 4-1X4 (四口) . 5-1X5 (五口)
 - 6-1X6 (六口) . 8-1X8 (八口)

POSITIONS (金针位置):

- 4-4POSITIONS (4P)
 - 6-6POSITIONS (6P)
 - 8-8POSITIONS (8P)
 - 0-10POSITIONS (10P)
- CONTACTS (金针根数):
- 2-2CONTACTS (2C) . 4-4CONTACTS (4C)
 - 6-6CONTACTS (6C) . 8-8CONTACTS (8C)
 - 0-10CONTACTS (10C)

PEG/TAB (边定位铁脚):

- 0-W/O PEG (无铁脚) . 1-FRONT PEG 3.05 (前脚3.05)
- 2-FRONT PEG3.68 (前脚3.68) . 3-FRONT PEG4.57 (前脚4.57)
- 4-BACK PEG3.05 (后脚3.05)

GOLD PLATING
(镀金厚度)

- 1-F U" . 2-1.5U"
- 3-3U" . 4-6U"
- 5-15U" . 6-30U"
- 7-50U"

LOGO (标识): 0-W/O LOGO (无标识).

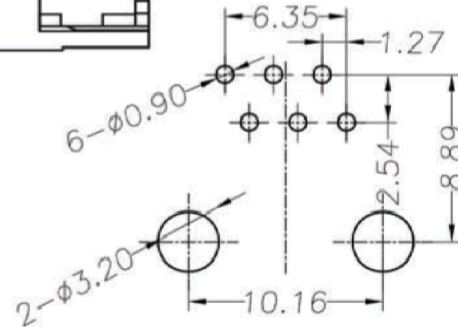
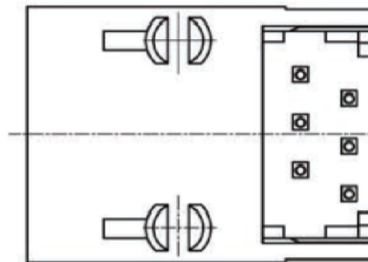
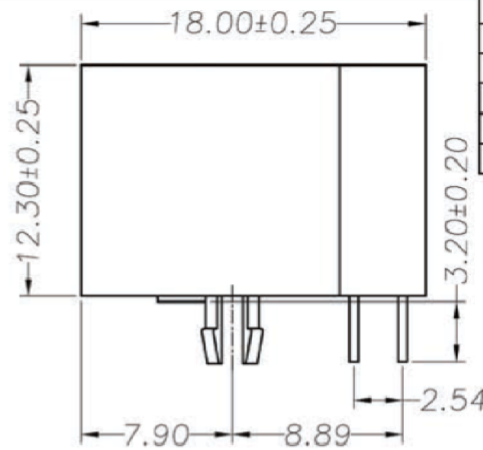
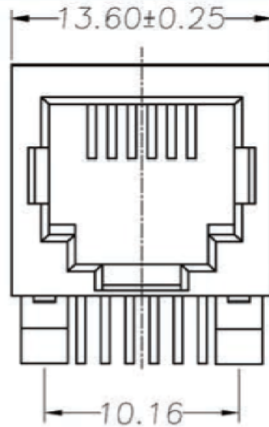
- COLOR (颜色):
- 1-BLACK (黑色) .
 - 2-WHITE (白色) . 3-GRAY (灰色)
 - 4-IVORY (象牙色) . 5-YELLOE (黄色) .
 - 6-RED (红色) . 7-GREEN (绿色)

PLASTIC (塑料):

- 1-PBT. 2-NYLON66 (尼龙66) .
- 3-NYLON46 (尼龙46) . 4-ABS

BACK PEG (后背铁脚):

- 0-W/O BACK PEG (无后背铁脚) .
- 1-1BACK PEG (1个后背铁脚)
- 2-2BACK PEG (2个后背铁脚) .
- 3-3BACK PEG (3个后背铁脚)



PC Board Layout

REVISION RECORD				
REV	ECO	DESCRIPTION	DRFT	CHKD
▲		原始版本	PEILEI	05.9.28
▲		增加料号.更改图号	xuashiyong	07.01.28
▲		增加LOGO	xuashiyong	07.05.22

MM (INCH)		设计 peilei	日期 05.9.28	深圳市金航标电子有限公司	WWW.BDS666.COM
一般公差栏		审核 GANBO	日期 05.9.29	型号: KH-9801-6P6C	0755-83044319
.0 ±0.20	±	批准 xushiyong	日期 05.9.29	系列	Kinghelm®
.00 ±0.15	±	材料:		98	
.000 ±0.075	±	数量:		图号: ▲	98-6P-002
角度 ± 0.01°		表面处理:		料号: 请查看注释	A3 版本 C
第三角视图		比例: 1:1	不按比例		共 X 页 第 Y 页

单击下面可查看定价，库存，交付和生命周期等信息

[>>kinghelm\(金航标\)](#)