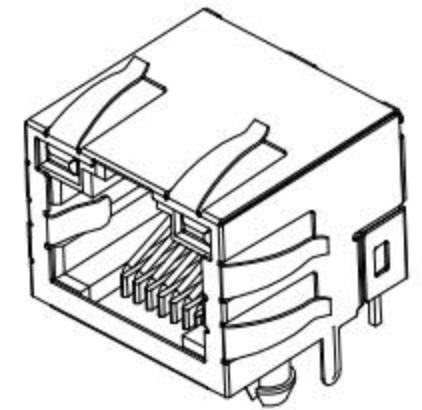
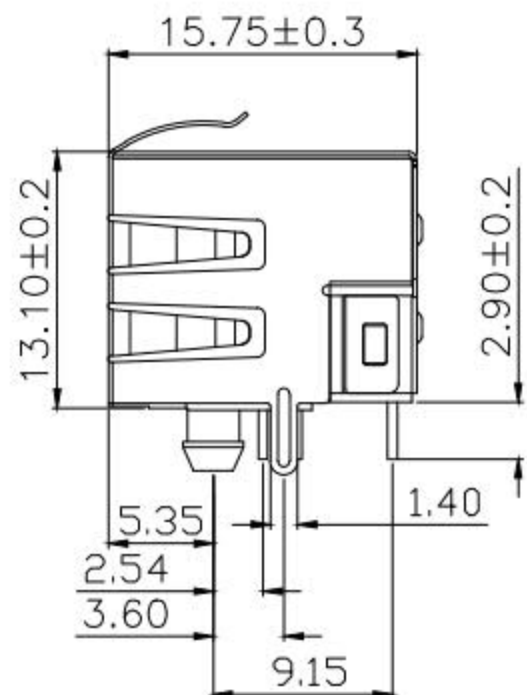
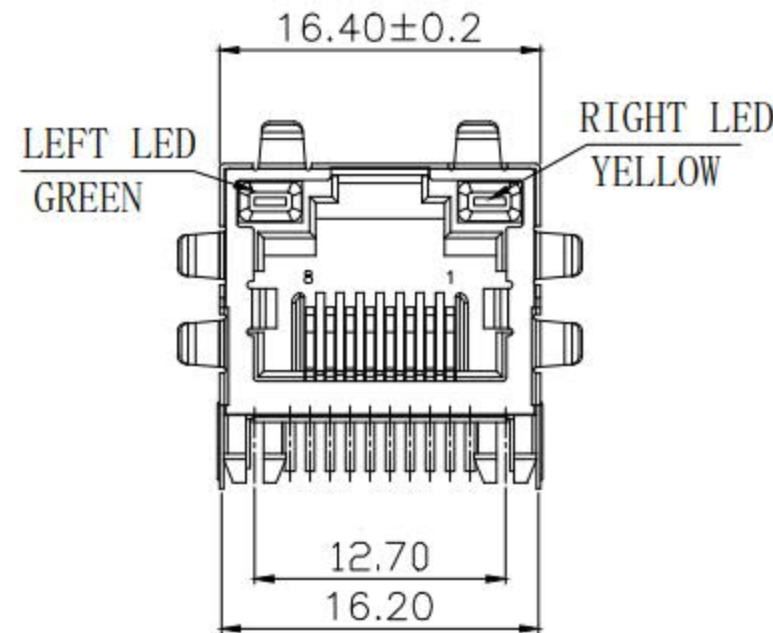


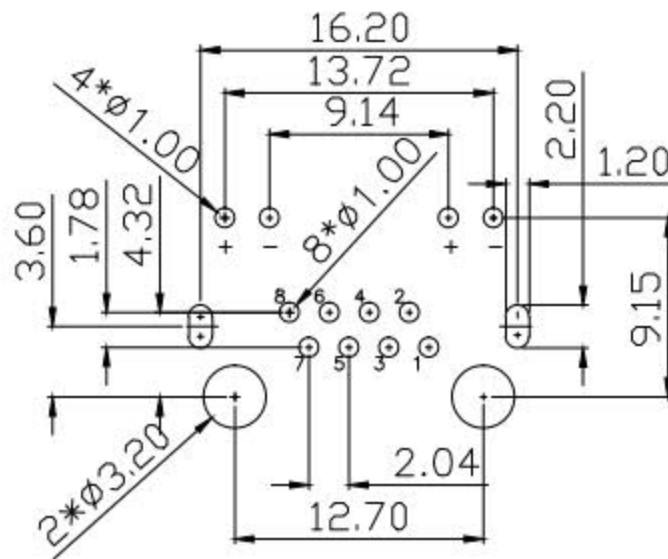
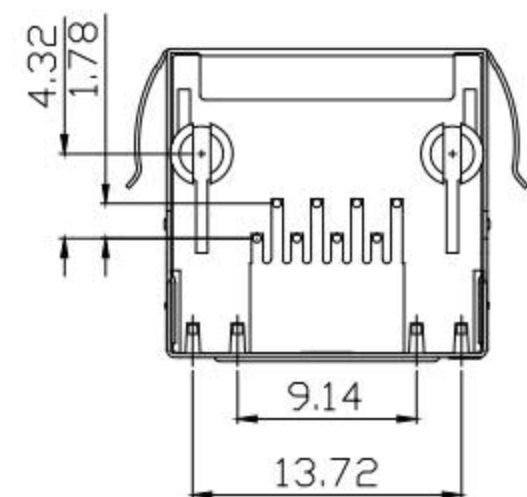
RoHS 2.0

Kinghelm®

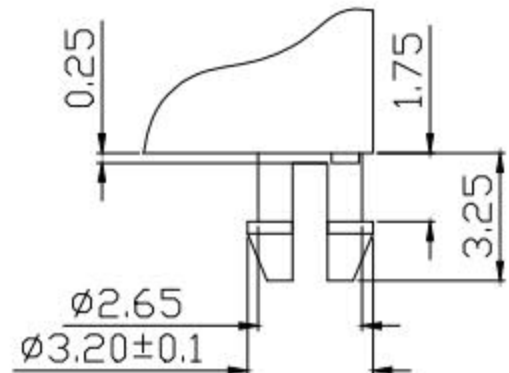
REV.	ECN NO.	DESCRIPTION	DATE	DESIGN
A1.	/.	重新整理图面	20.03.27	Yang



3D VIEW



RECOMMENDER P. C. B. LAYOUT TOP VIEW
(COMPONENT SIDE TOLERANCE ±0.05)



DETAIL "X"
SCALE 2:1

NOTES:

- MATERIAL:
 - HOUSING: PBT ,COLOR IS BLACK;
 - CONTACT: PHOSPHOR BRONZE,ø0.46±0.02mm;
 - SHELL: BRASS T=0.2±0.02mm;
- FINISH:
 - CONTACT: PLATED GOLD OVER NI;
 - SHELL: NI OVER ALL;
- RECINNEBDED PCB THICKNESS: 1.60mm;
- ELECTRICAL:
 - VOLTAGE RATING: 125 VAC RMS;
 - CURRENT RATING: 1.5 AMP;
 - CONTACT RESISTANCE: 35MILLIOHMS MAX.;
 - WITHSTAND VOLTAGE: 1000 VAC RMS 50(60)Hz,1MIN.;
 - INSULATION RESISTANCE: 1000MEGOHMS MIN @500V DC;
- MECHANICAL:
 - MATING/UNMATING FORCE: 25N MAX.;
 - RETENTIION STRENGTH: 50N MIN.;
 - OPERATING LIFE: 750 CYCLES MIN.;
- SALT SPRAY TEST: 12H;
- SOLDERABILITY: 245±5°C,5±0.5S;
- RESISTANCE TO SOLDER:260±0.5°C,10±1S;
- ENVIRONMENTAL:
 - STORAGE TEMPERATURE RANGE:-40°C~+85°C;
 - OPERATION TEMPERATURE RANGE:-25°C~+70°C;
- MATES WITH:MODULAR PLUGS THAT CONFORM TO FCC REGULATION PART 68.500;
- THE MARK WITH "*" IS THE KEY INSPECTION DIMENSION FOR QC.

KINGHELM® 深圳市金航标电子有限公司
SHENZHEN KINGHELM ELECTRONIC TECHNOLOGY CO.,LTD.

UNLESS OTHERWISE, GENERAL TOLERANCE: X.xxx ±0.10 X.xx ±0.20 X.x ±0.30	NAME: RJ45带灯带弹壳		P/N: KH-RJ45-56-8P8C-D-T	
	THIRD ANGLE PROJECTION		DWG NO.:	
ANGULAR: X.xx' ±1' X.x' ±3' X.' ±5'	UNIT: mm	SCALE: 1:1	SIZE: A4	SHEET: 1/1
DRAWN: Yangguangrong	CHECKED:	APPROVED Tangguantlin		

P/N: KH-RJ45-56-8P8C-D-T

单击下面可查看定价，库存，交付和生命周期等信息

[>>kinghelm\(金航标\)](#)