

REVISION RECORD				
REV	ECO	DESCRIPTION	DRFT	CHKD

型号: KH-9752-6P6C

NOTES:

ELECTRICAL:

- 1. VOLTAGE RATING :125 VAC RMS.
- 2. CURRENT RATING :1.5 AMP.
- 3. CONTACT RESISTANCE :30 MILLIOHMS MAX.
- 4. INSULATION RESISTANCE :500 MEGOHMS MIN @ 500V DC .
- 5. DIELECTRIC STRENGTH :1000V AC RMS 50Hz. 1MIN.

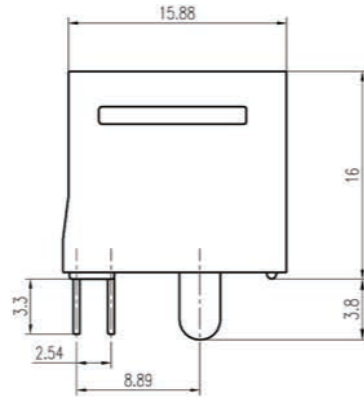
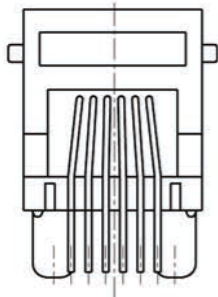
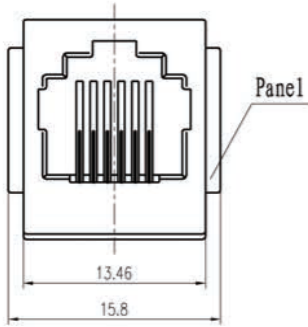
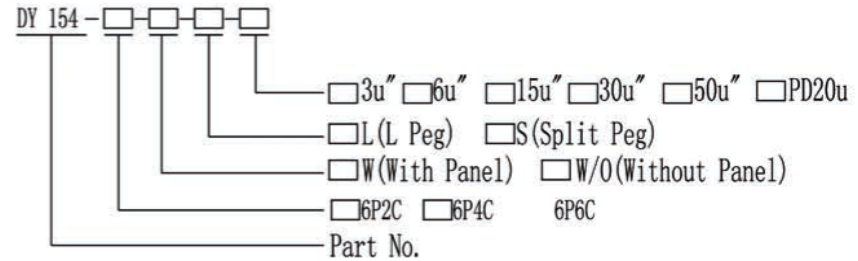
MECHANICAL:

- 1. HOUSING MATERIAL :GLASS FILLED POLYESTER UL94V-0.
- 2. CONTACT MATERIAL :PHOSPHOR BRONZE ϕ 0.46mm.
- 3. PLATING :GOLD PLATING OVER NICKEL.
- 4. OPERATING :750 CYCLES MIN.
- 5. PCB RETENTION PRE-SOLDER :1 LB MIN.

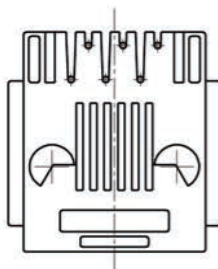
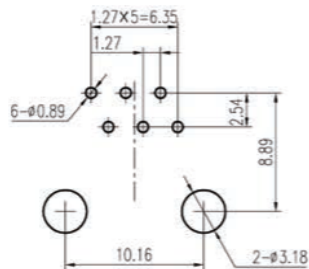
ENVIRONMENTAL:

- 1. Temperature Range : -45°C~+85°C
- 2. Relative Humidity : 90~95% (40±2°C)

PART NUMBER:



PCB LAYOUT



DETACHED LISTS	mm (inch)		DFTD:	DATE:	Kinghelm®			
			CHKD:	DATE:				
	Tolerance Except as Noted		MFO:	DATE:	深圳市金航标电子有限公司 WWW.BDS666.COM 型号: KH-9752-6P6C 0755-83044319			
	0±0.2	±	APPL:	DATE:				
	00±0.15	±	MATERIAL:		DRAWING NO.	SIZE A4	REV 06/05/02 0	
	000±0.075	±	Q'TY:					
	ANGLES ± 0.5		FINISH:		/PART NO.		DO NOT SCALE DRAWING	SHEET OF
			SCALE: 2:1					

单击下面可查看定价，库存，交付和生命周期等信息

[>>kinghelm\(金航标\)](#)