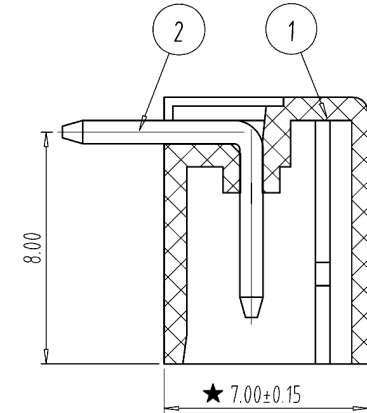
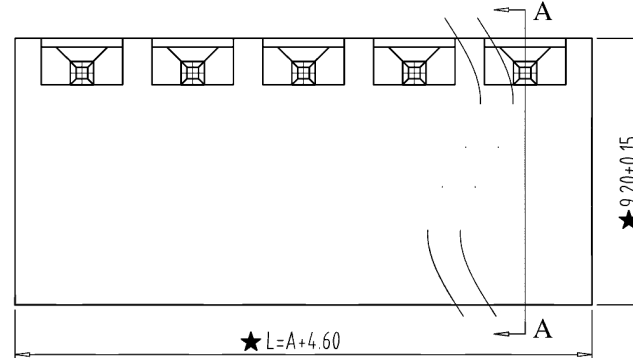
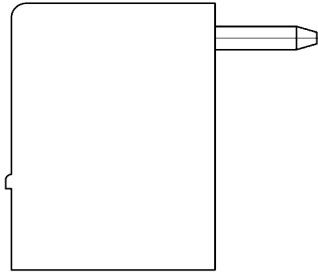


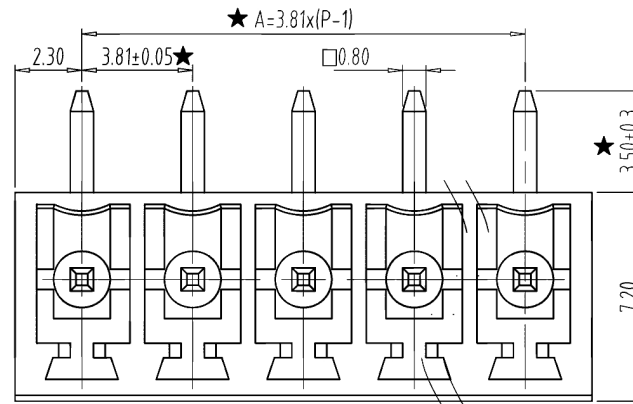
REV	CONTENT	CHK	DATE
V0.0	CONTENT	SK	2014-11-29

Kinghelm®

型号: KH-15EDGRC-3.81-5PG

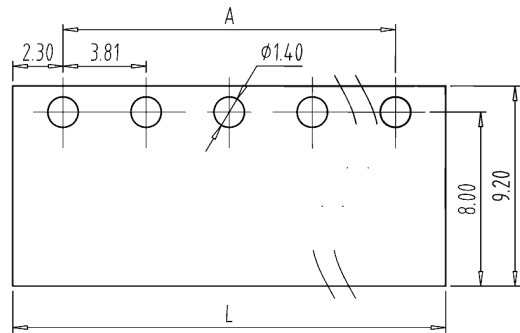


SECTION:A-A



NOTES:

- 1.Rating:300V 8A ,
- 2.Insulation Withstands Voltage: AC2000V/MIN
- 3.Insulation Resistance: 500MΩ or more at DC500V
- 4.Using Temperature Range: -40°C---+105°C
- 5." ★ " is the important dimension



PCB LAYOUT
S=3:1

Total Pitch Tolerances in mm										Nominal dimension range in mm										⊥	=	-	//							
over 0	over 30	over 53	over 70	over 90	over 115	over 150	over 250	over 350	over 500	over 0	over 30	over 53	over 70	over 90	over 115	over 150	over 200	over 250	over 320	over 0	over 10	all	over 0	over 100	over 150	over 150				
±0.18	±0.20	±0.25	±0.3	±0.35	±0.44	±0.60	±0.70	±0.85	±0.20	±0.25	±0.30	±0.35	±0.44	±0.55	±0.70	±0.80	±0.90	0.2	0.3	0.3	0.2	0.3	0.5							

2	PIN	ZF100B0001	P	BRASS	Sn Plated
1	HOUSING	ZF200A0XXXX	1	PA66(V0)	
ITEM	NAME OF PART	NO. OF PART	Q'TY	MATERIAL	NOTE
DWG.	CXL	DATE	14.06.06	SIZE	A4 UNITS mm SHEET/OF 1/1
CHK.		DATE		SCALE	4:1 15---3.81(11.0)
APP.		DATE		WWW.BDS666.COM 0755-83044319	
深圳市金航标电子有限公司					
				DWGNQ	02-ZBF200RXXPX

单击下面可查看定价，库存，交付和生命周期等信息

[>>kinghelm\(金航标\)](#)