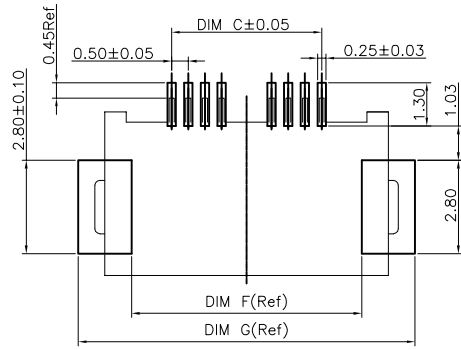
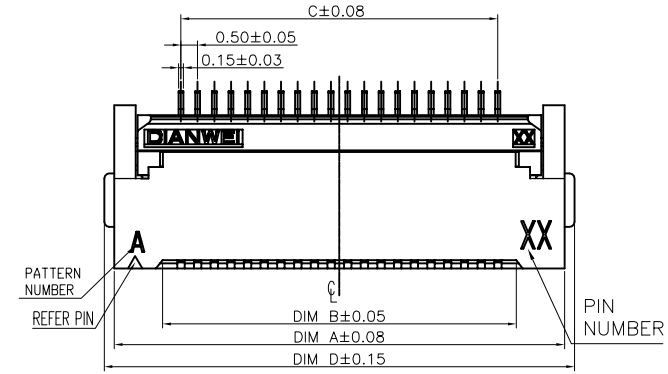


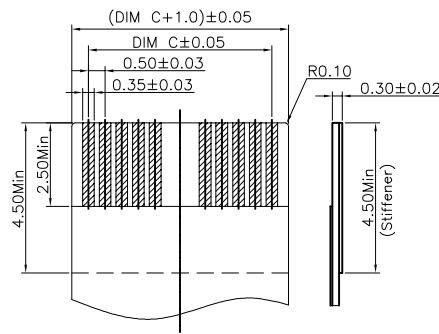
DRAWING TYPE CUSTOMER DRAWING



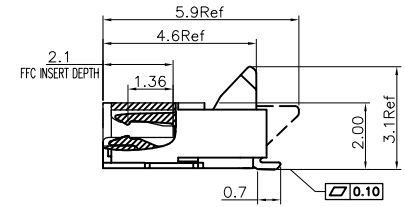
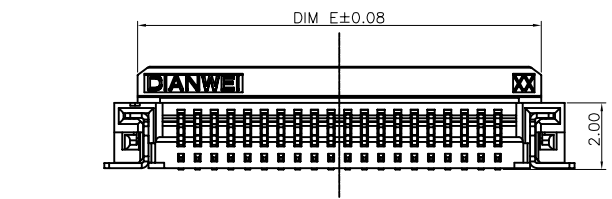
| MARK | DATE | DESCRIPTION | DESIGN |
|------|------------|---------------------|----------|
| J | 2016.06.18 | ADD 41PIN | WANGPENG |
| K | 2017.06.08 | Change Plating Note | CHEN |
| L | 2019.01.16 | UPDATE P/N | CHEN |



RECOMMENDED PCB LAYOUT



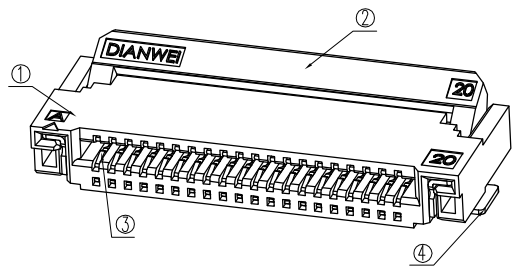
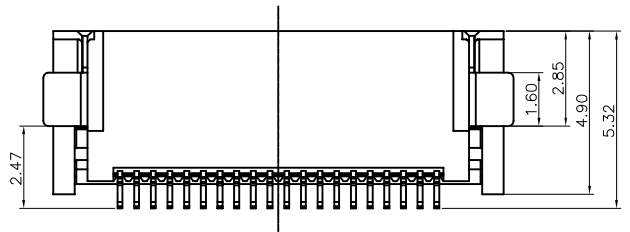
RECOMMENDED FFC/FPC



- FPC NOT MATING CONDITION BANNED CLOSURE
- PART NO. LEGEND:
8.01A0 . * 2 0 0**
 ① ② ③ ④ ⑤
- SERIES NAME: 8.01A0= 0.5MM FFC/FPC DUAL CONTACT SIDE CONNECTOR (H=2.0mm)
- CONTACT PIN NUMBER: ***=CONTACT PIN NUMBER
- CONTACT AREA PLATING SPEC: GOLD PLATING: 2=1~3u"; 3=5u"; 4=10u"; 5=15u"
 SOLDER AREA PLATING SPEC: GOLD PLATING: 2=1~3u"; 3=5u"; 4=10u"; 5=15u"
- UNSPECIFIED:0=NONSENSE
- UNSPECIFIED:0=NONSENSE
- PERFORMANCE:
 - CURRENT RATING: 0.5A/PIN.
 - VOLTAGE RATING: 50V (AC/DC).
 - CONTACT RESISTANCE: INITIAL VALUE 30mOHM Max,
 - INSULATION RESISTANCE: 500MOHM Min.
 - DIELECTRIC WITHSTANDING VOLTAGE: 250V AC FOR 1MINUTE;
 - DURABILITY: 20 TIMES Min.
 - OPERATING TEMPERATURE: -40°C~+85°C
 OPERATING HUMIDITY RANGE: 20% TO 85%

| Pin No | P/N | DIM A | DIM B | DIM C | DIM D | DIM E | DIM F | DIM G |
|--------|---------------|-------|-------|-------|-------|-------|-------|-------|
| 4 | 8.01A0.004200 | 5.50 | 2.55 | 1.50 | 6.10 | 4.10 | 3.90 | 7.10 |
| 5 | | 6.00 | 3.05 | 2.00 | 6.60 | 4.60 | 4.40 | 7.60 |
| 6 | 8.01A0.006200 | 6.50 | 3.55 | 2.50 | 7.10 | 5.10 | 4.90 | 8.10 |
| 8 | 8.01A0.008200 | 7.50 | 4.55 | 3.50 | 8.10 | 6.10 | 5.90 | 9.10 |
| 9 | 8.01A0.009200 | 8.00 | 5.05 | 4.00 | 8.60 | 6.60 | 6.40 | 9.60 |
| 10 | 8.01A0.010200 | 8.50 | 5.55 | 4.50 | 9.10 | 7.10 | 6.90 | 10.10 |
| 12 | 8.01A0.012200 | 9.50 | 6.55 | 5.50 | 10.10 | 8.10 | 7.90 | 11.10 |
| 14 | 8.01A0.014200 | 10.50 | 7.55 | 6.50 | 11.10 | 9.10 | 8.90 | 12.10 |
| 15 | 8.01A0.015200 | 11.00 | 8.05 | 7.00 | 11.60 | 9.60 | 9.40 | 12.60 |
| 16 | 8.01A0.016200 | 11.50 | 8.55 | 7.50 | 12.10 | 10.10 | 9.90 | 13.10 |
| 18 | 8.01A0.018200 | 12.50 | 9.55 | 8.50 | 13.10 | 11.10 | 10.90 | 14.10 |
| 20 | 8.01A0.020200 | 13.50 | 10.55 | 9.50 | 14.10 | 12.10 | 11.90 | 15.10 |
| 22 | 8.01A0.022200 | 14.50 | 11.55 | 10.50 | 15.10 | 13.10 | 12.90 | 16.10 |
| 24 | 8.01A0.024200 | 15.50 | 12.55 | 11.50 | 16.10 | 14.10 | 13.90 | 17.10 |
| 26 | 8.01A0.026200 | 16.50 | 13.55 | 12.50 | 17.10 | 15.10 | 14.90 | 18.10 |
| 28 | 8.01A0.028200 | 17.50 | 14.55 | 13.50 | 18.10 | 16.10 | 15.90 | 19.10 |
| 30 | 8.01A0.030200 | 18.50 | 15.55 | 14.50 | 19.10 | 17.10 | 16.90 | 20.10 |
| 32 | 8.01A0.032200 | 19.50 | 16.55 | 15.50 | 20.10 | 18.10 | 17.90 | 21.10 |
| 34 | 8.01A0.034200 | 20.50 | 17.55 | 16.50 | 21.10 | 19.10 | 18.90 | 22.10 |
| 35 | 8.01A0.035200 | 21.00 | 18.05 | 17.00 | 21.60 | 19.60 | 19.40 | 22.60 |
| 36 | 8.01A0.036200 | 21.50 | 18.55 | 17.50 | 22.10 | 20.10 | 19.90 | 23.10 |
| 38 | | 22.50 | 19.55 | 18.50 | 23.10 | 21.10 | 20.90 | 24.10 |
| 40 | 8.01A0.040200 | 23.50 | 20.55 | 19.50 | 24.10 | 22.10 | 21.90 | 25.10 |
| 41 | 8.01A0.041200 | 24.00 | 21.05 | 20.00 | 24.60 | 22.60 | 22.40 | 25.60 |
| 42 | 8.01A0.042200 | 24.50 | 21.55 | 20.50 | 25.10 | 23.10 | 22.90 | 26.10 |
| 45 | 8.01A0.045200 | 26.00 | 23.05 | 22.00 | 26.60 | 24.60 | 24.40 | 27.60 |
| 50 | 8.01A0.050200 | 28.50 | 25.55 | 24.50 | 29.10 | 27.10 | 26.90 | 30.10 |
| 51 | 8.01A0.051200 | 29.00 | 26.05 | 25.00 | 29.60 | 27.60 | 27.40 | 30.60 |
| 52 | 8.01A0.052200 | 29.50 | 26.55 | 25.50 | 30.10 | 28.10 | 27.90 | 31.10 |
| 54 | 8.01A0.054200 | 30.50 | 27.55 | 26.50 | 31.10 | 29.10 | 28.90 | 32.10 |
| 55 | 8.01A0.055200 | 31.00 | 28.05 | 27.00 | 31.60 | 29.60 | 29.40 | 32.60 |
| 58 | | 32.50 | 29.55 | 28.50 | 33.10 | 31.10 | 30.90 | 34.10 |
| 60 | 8.01A0.060200 | 33.50 | 30.55 | 29.50 | 34.10 | 32.10 | 31.90 | 35.10 |

| 4 | STATOR | BRASS | | 2 | |
|-----|------------|-----------------------|--------------|---------------|----------|
| 3 | TERMINAL | PHOSPHOR BRONZE | | POSITIONS | |
| 2 | COVER | THERMOPLASTIC UL94V-0 | BLACK | 1 | |
| 1 | HOUSING | THERMOPLASTIC UL94V-0 | NATURAL | 1 | |
| NO. | COMPONENTS | MATERIALS | FINISH/COLOR | SPECIFICATION | QUANTITY |



NOTE: ALL RIGHTS RESERVED, BANNED COPY!

| UNLESS OTHERWISE SPECIFIED TOLERANCE | | | |
|--------------------------------------|-------|------|-------|
| ANG | TOL | DIM | TOL |
| .X | ±3.0° | .X | ±0.20 |
| .XX | ±2.0° | .XX | ±0.10 |
| .XXX | ±1.0° | .XXX | ±0.05 |

深圳市金航标电子有限公司 www.kinghelm.com.cn

KH-FPC0.5-H2.0SMT-4P-QCHF 0755-28190160

DRAWING NO: 8.01A0-C PART NAME: 0.5mm FFC/FPC DUAL CONTACT SIDE CONNECTOR(H=2.0mm)

APPROVED: CHEN VERIFIED: DESIGN: PART NO: 8.01A0.***200

DATE: 2019.01.16 UNITS: mm SCALE: 1:1 PAGE: 1/1 REV: L

单击下面可查看定价，库存，交付和生命周期等信息

[>>kinghelm\(金航标\)](#)