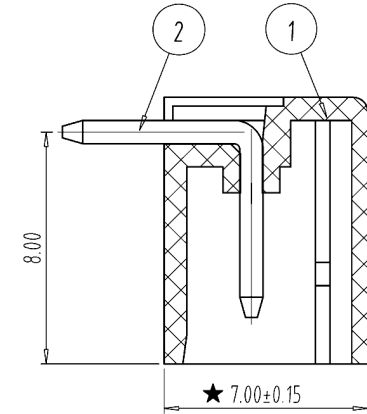
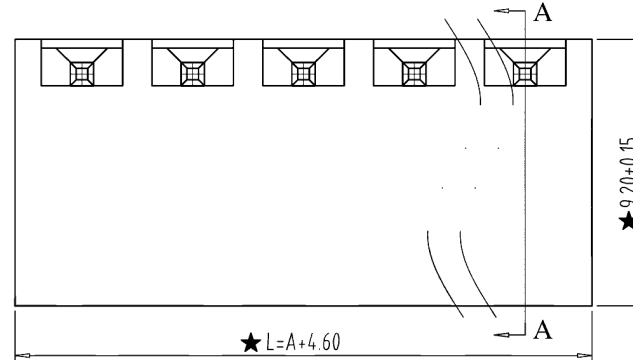
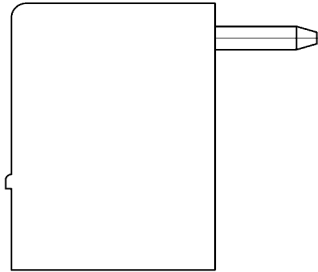


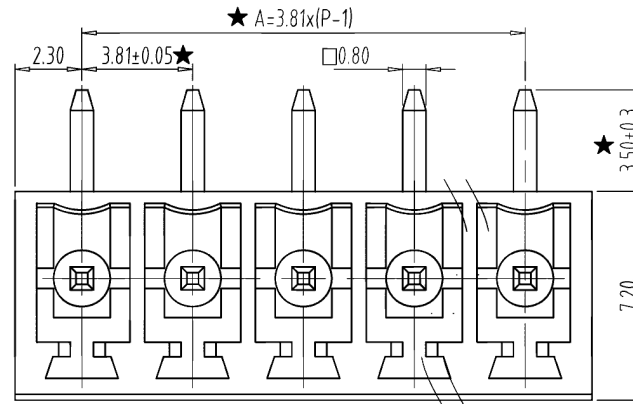
REV	CONTENT	CHK	DATE
V0.0	CONTENT	SK	2014-11-29

Kinghelm®

型号: KH-15EDGRC-3.81-4PG

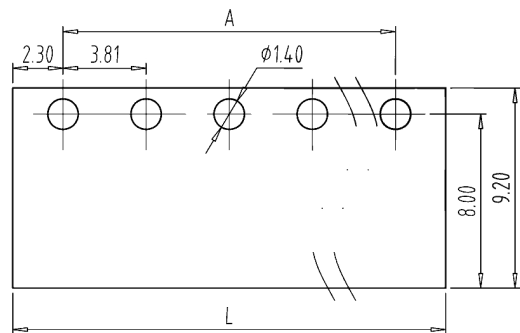


SECTION:A-A



NOTES:

- 1.Rating:300V 8A ,
- 2.Insulation Withstands Voltage: AC2000V/MIN
- 3.Insulation Resistance: 500MΩ or more at DC500V
- 4.Using Temperature Range: -40°C--+105°C
- 5." ★ " is the important dimension



**PCB LAYOUT
S=3:1**

2	PIN	ZF100B0001	P	BRASS	Sn Plated
1	HOUSING	ZF200A0XXXX	1	PA66(V0)	
ITEM	NAME OF PART	NO. OF PART	Q'TY	MATERIAL	NOTE
DWG.	CXL	DATE	14.06.06	SIZE	A4 UNITS mm SHEET/OF 1/1
CHK.		DATE		SCALE	4:1 15---3.81(11.0)
APP.		DATE			WWW.BDS666.COM 0755-83044319
深圳市金航标电子有限公司					

Total Pitch Tolerances in mm										Nominal dimension range in mm										⊥	=	-	//		
over 0 to 30	over 30 to 53	over 53 to 70	over 70 to 90	over 90 to 115	over 115 to 150	over 150 to 250	over 250 to 350	over 350 to 500	over 500 to 1000	over 0 to 30	over 30 to 53	over 53 to 70	over 70 to 90	over 90 to 115	over 115 to 150	over 150 to 200	over 200 to 250	over 250 to 320	over 320 to 1000	0.2	0.3	0.3	0.2	0.3	0.5
±0.18	±0.20	±0.25	±0.3	±0.35	±0.44	±0.60	±0.70	±0.85	±1.20	±0.25	±0.30	±0.35	±0.44	±0.55	±0.70	±0.80	±0.90	±1.50	±0.2	0.3	0.3	0.2	0.3	0.5	

单击下面可查看定价，库存，交付和生命周期等信息

[>>kinghelm\(金航标\)](#)