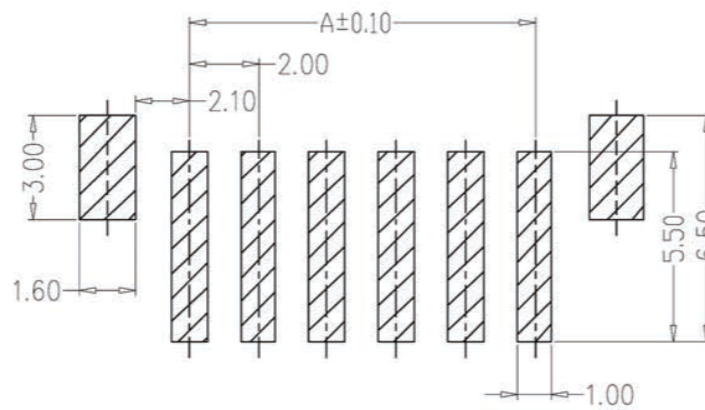
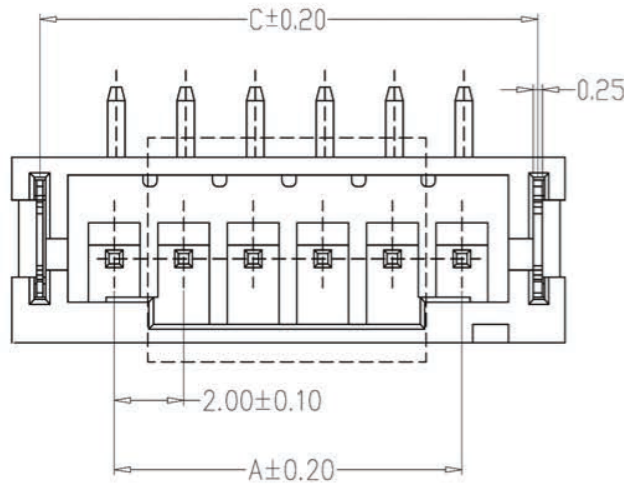


### SPECIFICATIONS

- 1、Current Rating: 2A AC, DC
- 2、Voltage Rating: 250V AC, DC
- 3、Temperatuer Range: -25°C~+85°C
- 4、Contact Resistance: 20mΩ Max
- 5、Insulation Resistance: 1000MΩ Min
- 6、Withstanding Voltang: 800V AC/minute
- 7、Material: Wafer Nylon 6T, UL94V-0  
PIN Brass Tin-plated  
Solder tad Phosphoric bronze Tin-plated



### PCB LAYOUT

| 编号          | 尺寸 (mm) |       |       |
|-------------|---------|-------|-------|
|             | A       | B     | C     |
| A2001LF-02A | 2.00    | 8.00  | 6.50  |
| A2001LF-03A | 4.00    | 10.00 | 8.50  |
| A2001LF-04A | 6.00    | 12.00 | 10.50 |
| A2001LF-05A | 8.00    | 14.00 | 12.50 |
| A2001LF-06A | 10.00   | 16.00 | 14.50 |
| A2001LF-07A | 12.00   | 18.00 | 16.50 |
| A2001LF-08A | 14.00   | 20.00 | 18.50 |
| A2001LF-09A | 16.00   | 22.00 | 20.50 |
| A2001LF-10A | 18.00   | 24.00 | 22.50 |
| A2001LF-11A | 20.00   | 26.00 | 24.50 |
| A2001LF-12A | 22.00   | 28.00 | 26.50 |
| A2001LF-16A | 30.00   | 36.00 | 34.50 |

贺骏驹  
赖积任  
张松强

| 制图<br>DRAWN | 变更内容<br>DESCRIPTION | 日期<br>DATE | GENERAL TOLERANCE |            | 制图<br>DRAWING  | 贺骏驹 | 料号<br>PART NO.    | A2001LF-NA  |                        | 版本<br>REV.    | A |
|-------------|---------------------|------------|-------------------|------------|----------------|-----|-------------------|-------------|------------------------|---------------|---|
|             |                     |            | X.±0.25           | X.±2'      |                |     |                   | 品名<br>TITLE | PH立贴<br>WAFER SMT TYPE |               |   |
|             |                     |            | .X±0.20           | .X'±1'     | 审核<br>CHECK    | 赖积任 | 客户料号<br>CUTM. NO. |             |                        |               |   |
|             |                     |            | .XX±0.15          | .XX'±0.5'  | 核准<br>APPROVAL | 张松强 | 深圳市金航标电子有限公司      |             | WWW.BDS666.COM         |               |   |
|             |                     |            | .XXX±0.10         | .XXX'±0.5' | 单位<br>UNITS    | MM  | 比例<br>SCALE       | 1:1         | KH-A2001LF-6A          | 0755-83044319 |   |

单击下面可查看定价，库存，交付和生命周期等信息

[>>kinghelm\(金航标\)](#)