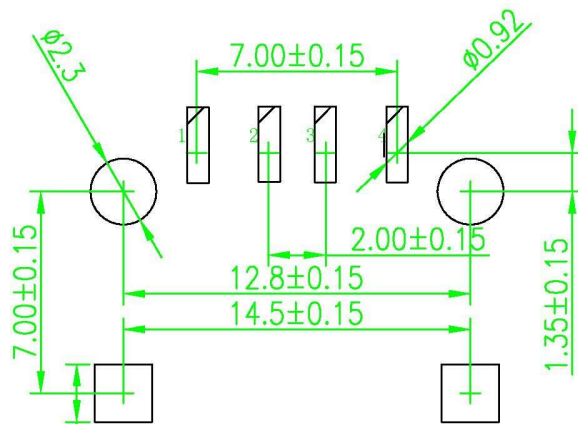
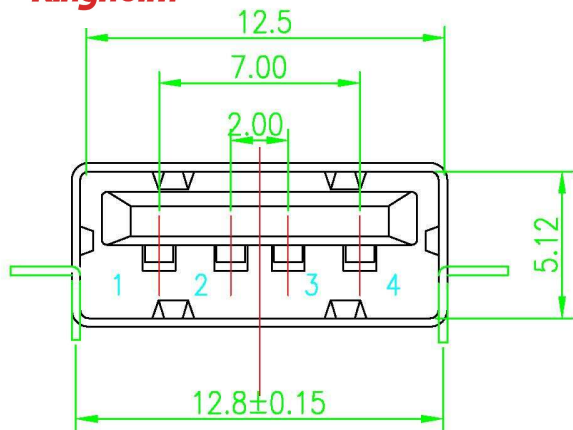
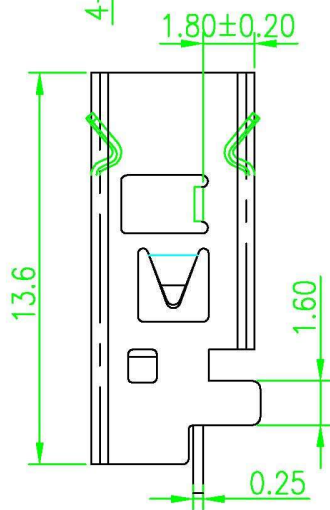
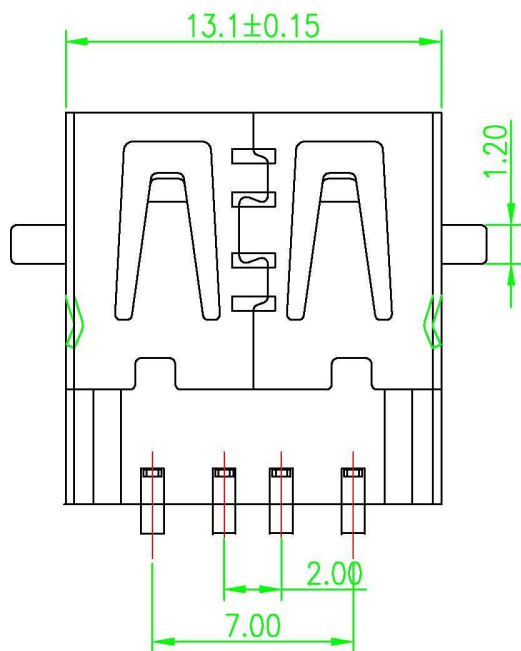


Kinghelm®



RECOMMENDED PCB LAYOUT



规格说明: Specifications:

电气特性: Electrical:

1. 额定电流: Current Rating
1.5A/contact terminal
2. 额定电压: Voltage Rating
30V DC
3. 接触阻抗: Contact Resistance
30 milliohms MAX
4. 耐电压: Dielectric Withstanding Voltage:
500 V AC AT Sea Level
5. 绝缘阻抗: Insulation Resistance:
1000MEGA ohms MIN

物理性能: Mechanical:

1. 插拔力: Connector Mate and Unmate Force
Mate force: 3.57kgf (MAX)
Unmate force: 1.02kgf (MIN)
2. 端子保持力: Terminal Retention
1.0kgf (MIN)

原材料: Material:

1. 塑胶: Housing:
Hing Temperature Ternmaplastics,
U1 94V-0 PBT White/Black
2. 端子: Contact: Copper Alloy C2680
3. 外壳: Shell: Copper Alloy SPCC

电镀: Finish:

1. 端子: Contact: Plated Gold in Mating Area;
Tin On Solder Talls
2. 外壳: Shell:
Nickel Plating

产品图

PRODUCT CHART DWG

公差一览表

TOLERANCE UNLESS OTHERWISE

X.	±0.25	X.	±5.°
.X	±0.20	.X	±2.°
.XX	±0.15	.XX	±1.°
.....	±0.05	±0.5°

深圳市金航标电子有限公司

WWW.BDS666.COM

KH-AF90CB-13.6SMT

0755-83044319

单位
UNITS

MM

制图
DRAWING

Z-Y-B

制图料号
PRODUCT PART NO.

比例
SCALE

1:1

审核
CHKD

产品名称
PRODUCT NO.

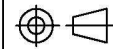
USB A/F 沉板铁壳(无卷边) 带翅膀 端子SMT

日期
DATE

2015.11.1

核准
APPD

角法
VIEW



版本
VER

AO

单击下面可查看定价，库存，交付和生命周期等信息

[>>kinghelm\(金航标\)](#)