

NOTE:

1. MATERIAL:

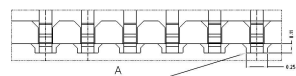
HOUSING: LCP (UL94 V-0), COLOR: NATURAL.
 CONTACTS: COPPER ALLOY.
 PEG: COPPER ALLOY.
 ACTUATOR: LCP (UL94-V0), COLOR:BLACK

2. RATING:

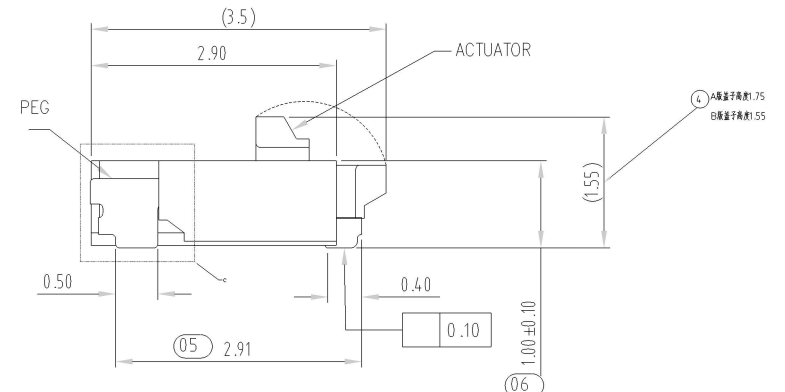
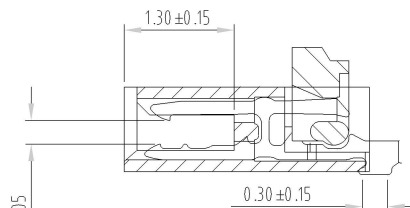
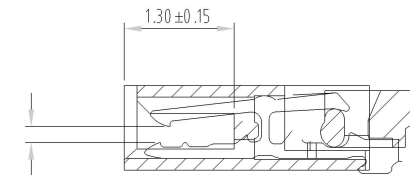
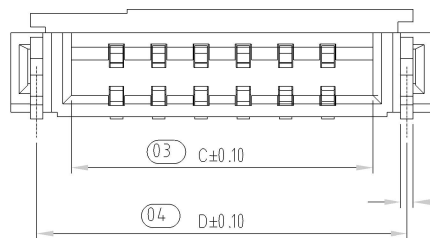
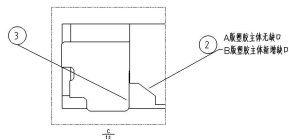
OPERATING VOLTAGE: 50Vrms AC.
 CURRENT RATING: 0.5A.
 OPERATING TEMPERATURE: -55° C~+85° C.
 OPERATING HUMIDITY RANGE: RELATIVE HUMIDITY 90% MAX.(NO CONDENSATION)
 STORAGE TEMPERATURE RANGE: -10° C~+50° C.
 STORAGE HUMIDITY RANGE: RELATIVE HUMIDITY 90% MAX.(NO CONDENSATION)

3. Part Number:

带 (xx) 为重点管控尺寸



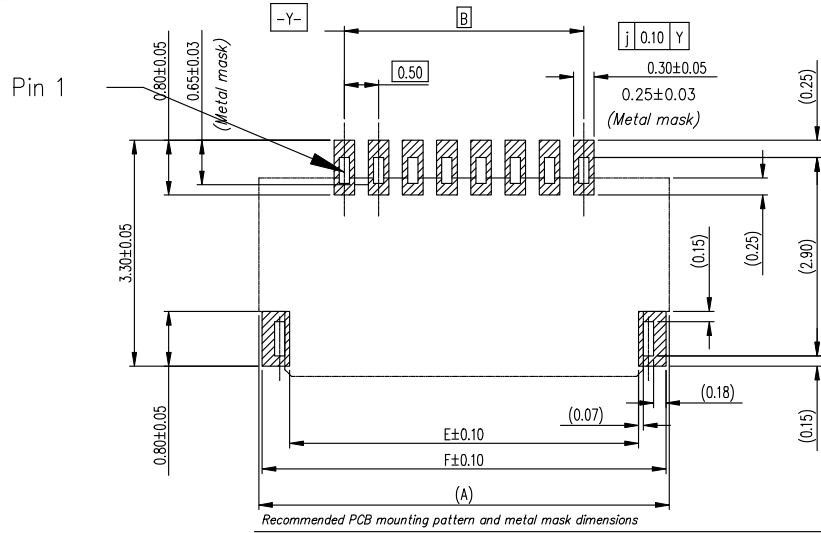
A板贴片焊脚中心垂直度
B板贴片焊脚垂直度



本产品符合 RoHS SONY00259 OHF 其它
 ※禁止使用本公司所禁用有毒物质

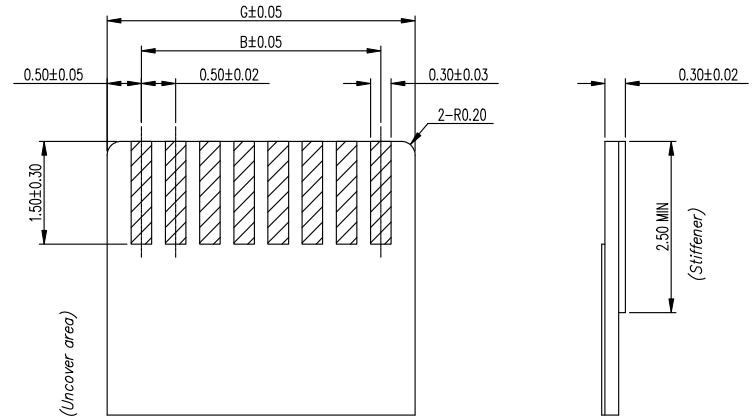
| | | | | |
|-------------|-----------------------|------------|-------------|-----------|
| B | ① 塑胶主体增加(0.25x0.11)穿孔 | 2021051001 | liupeng | 2021/5/10 |
| | ② 塑胶主体新增穿孔 | | | |
| A | ③ 贴片焊脚中心垂直度 | RFV | DESCRIPTION | FCN.NO |
| | ④ 贴片焊脚1.75及1.55 | | | |
| NEW DRAWING | | BY liupeng | | |

| | | | | | |
|----------------------------------------------|--------------|--------------------------------------------------|--|--------------------------------------|-------|
| - TOLERANCES - UNLESS OTHERWISE SPECIFIED | | 深圳市金航标电子有限公司 KH-FPC0.5-H1.0SMT-32P-QCHF | | www.kinghelm.com.cn 0755-28190160 | |
| 公差参考表 | | TITLE: FPC 0.5Pitch 1.0H 2IF R/A Connector | | APPD: 核准: | |
| X.X : ±0.30 | X.X° : ±5° | CHECK: 校對: | | DWG NO: 產品料號: FP242AH-0XXG10M | |
| X.XX : ±0.20 | X.XX° : ±2° | DRAW: 繪圖: LIUPENG | | DATE | SCALE |
| X.XXX : ±0.10 | X.XXX° : ±1° | 20111209 | | UNIT | PAGE |
| | | 1:1 | | rmm | 1/2 |



Recommended PCB mounting pattern and metal mask dimensions

Recommended metal mask thickness: $t=0.1$



Recommended FPC/FFC Dimensions

| | | | | | | | |
|--------------------|-------|-------|-------|-------|-------|-------|-------|
| 50 | 27.00 | 24.50 | 25.57 | 26.39 | 26.10 | 26.90 | 25.50 |
| 45 | 24.50 | 22.00 | 23.07 | 23.89 | 23.60 | 24.40 | 23.00 |
| 40 | 22.00 | 19.50 | 20.57 | 21.39 | 21.10 | 21.90 | 20.50 |
| 34 | 19.00 | 16.50 | 17.57 | 18.39 | 18.10 | 18.90 | 17.50 |
| 32 | 18.00 | 15.50 | 16.57 | 17.39 | 17.10 | 17.90 | 16.50 |
| 30 | 17.00 | 14.50 | 15.57 | 16.39 | 16.10 | 16.90 | 15.50 |
| 28 | 16.00 | 13.50 | 14.57 | 15.39 | 15.10 | 15.90 | 14.50 |
| 26 | 15.00 | 12.50 | 13.57 | 14.39 | 14.10 | 14.90 | 13.50 |
| 24 | 14.00 | 11.50 | 12.57 | 13.39 | 13.10 | 13.90 | 12.50 |
| 22 | 13.00 | 10.50 | 11.57 | 12.39 | 12.10 | 12.90 | 11.50 |
| 20 | 12.00 | 9.50 | 10.57 | 11.39 | 11.10 | 11.90 | 10.50 |
| 18 | 11.00 | 8.50 | 9.57 | 10.39 | 10.10 | 10.90 | 9.50 |
| 16 | 10.00 | 7.50 | 8.57 | 9.39 | 9.10 | 9.90 | 8.50 |
| 14 | 9.00 | 6.50 | 7.57 | 8.39 | 8.10 | 8.90 | 7.50 |
| 12 | 8.00 | 5.50 | 6.57 | 7.39 | 7.10 | 7.90 | 6.50 |
| 11 | 7.50 | 5.00 | 6.07 | 6.89 | 6.60 | 7.40 | 6.00 |
| 10 | 7.00 | 4.50 | 5.57 | 6.39 | 6.10 | 6.90 | 5.50 |
| 8 | 6.00 | 3.50 | 4.57 | 5.39 | 5.10 | 5.90 | 4.50 |
| 7 | 5.50 | 3.00 | 4.07 | 4.89 | 4.60 | 5.40 | 4.00 |
| 6 | 5.00 | 2.50 | 3.57 | 4.39 | 4.10 | 4.90 | 3.50 |
| 5 | 4.5 | 2.00 | 3.07 | 3.89 | 3.60 | 4.50 | 3.00 |
| 4 | 4.00 | 1.50 | 2.57 | 3.39 | 3.10 | 3.90 | 2.50 |
| Number of Contacts | DIM A | DIM B | DIM C | DIM D | DIM E | DIM F | DIM G |

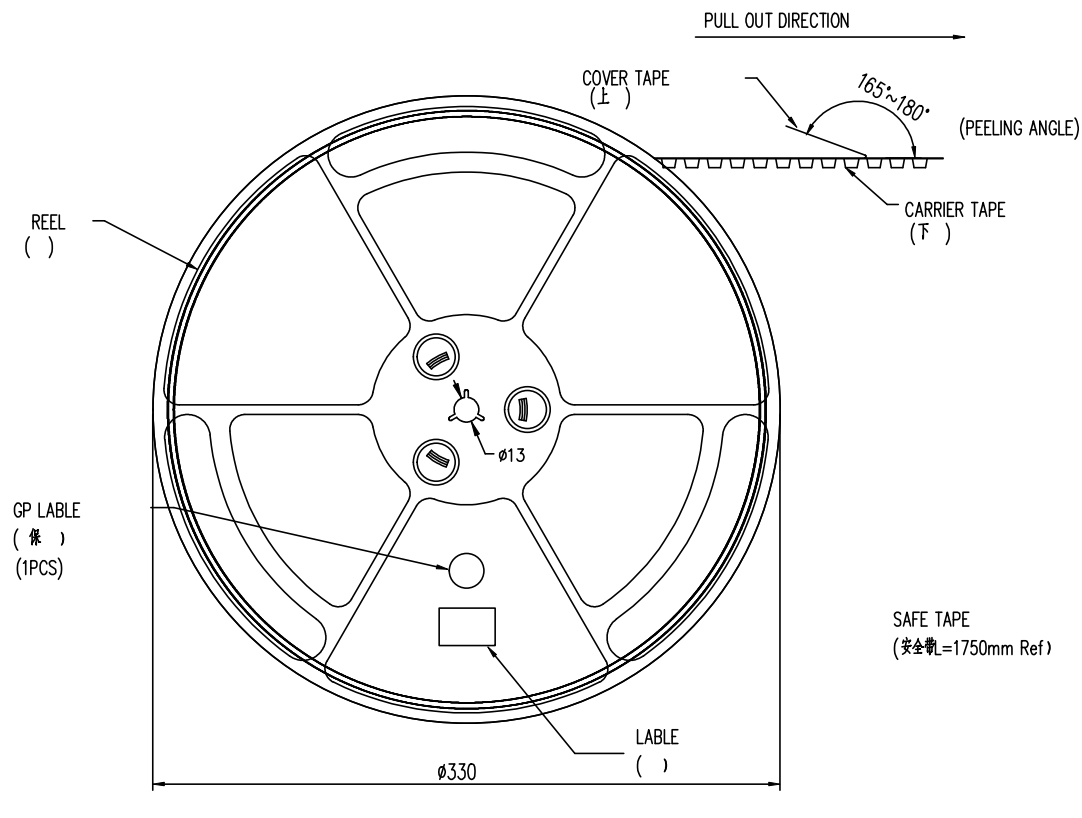
| - TOLERANCES - UNLESS OTHERWISE SPECIFIED 公差 参考 | | 深圳市金航标电子有限公司 www.kinghelm.com.cn | |
|-------------------------------------------------------|--------------|---------------------------------------------------|--------------------------------|
| | | KH-FPC0.5-H1.0SMT-32P-QCHF | |
| | | 0755-28190160 | |
| | | TITLE: FPC 0.5Pitch 1.0H ZIF 品名: R/A Connector | |
| X.X : ±0.30 | X.X* : ±5° | APPD: 核准: | DWG NO: 品料: FP242AH-0XXG10M |
| X.XX : ±0.20 | X.XX* : ±2° | CHECK: 校: | DATE |
| X.XXX : ±0.10 | X.XXX* : ±1° | DRAW: : | SCALE |
| | | LIU | UNIT |
| | | | PAGE |
| | | | 2/2 |

本产品符合 RoHS 符合 SONY00259 符合 HF 符合 其它
 *禁止使用本公司所禁用有毒物质

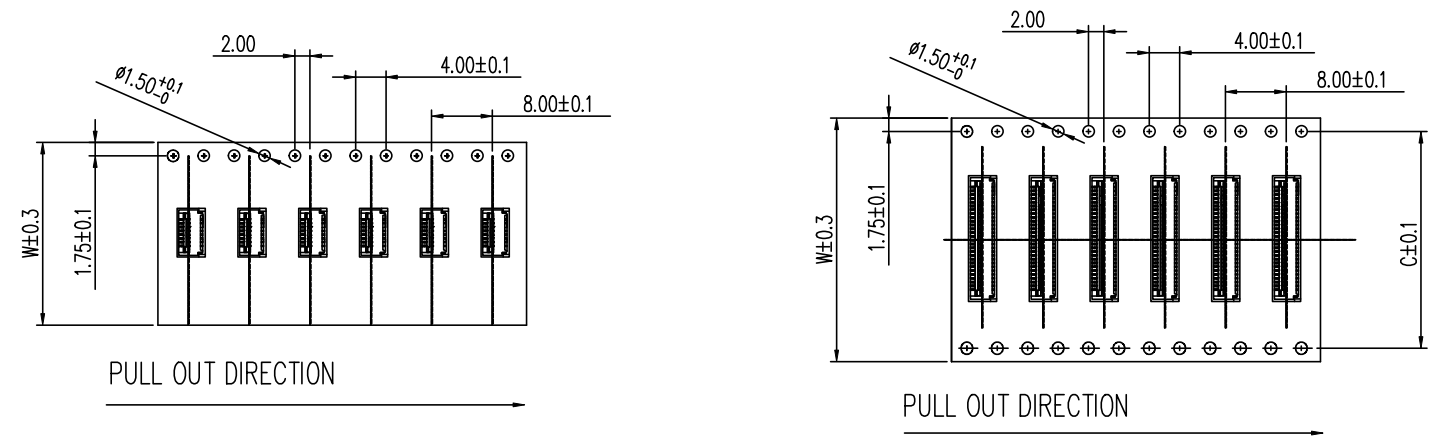
| | | | | |
|-----|-------------------|------------|---------|-----------|
| B | 盖子高度由1.75改为1.55MM | 2021051001 | liupeng | 2021/5/10 |
| A | NEW DRAWING | | liupeng | |
| REV | DESCRIPTION | ECN.NO | BY | DATE |

NOTE:

- 1.10 Sprocket hole pitch cumulative tolerance ± 0.20 .
2. Carrier camber is within 1mm in 100mm.
3. Material: black conductive polystyrene alloy.
4. Material Thickness: 0.3 ± 0.05 mm.
5. All dimensions meet EIA-481-B requirements.
6. 4000pcs Pef Reel.
7. For tape width(dim W)16 and 24mm pilot holes are provided on one sides. For tape width(dim W)32, 44 and 56mm pilot holes are provided on both sides.

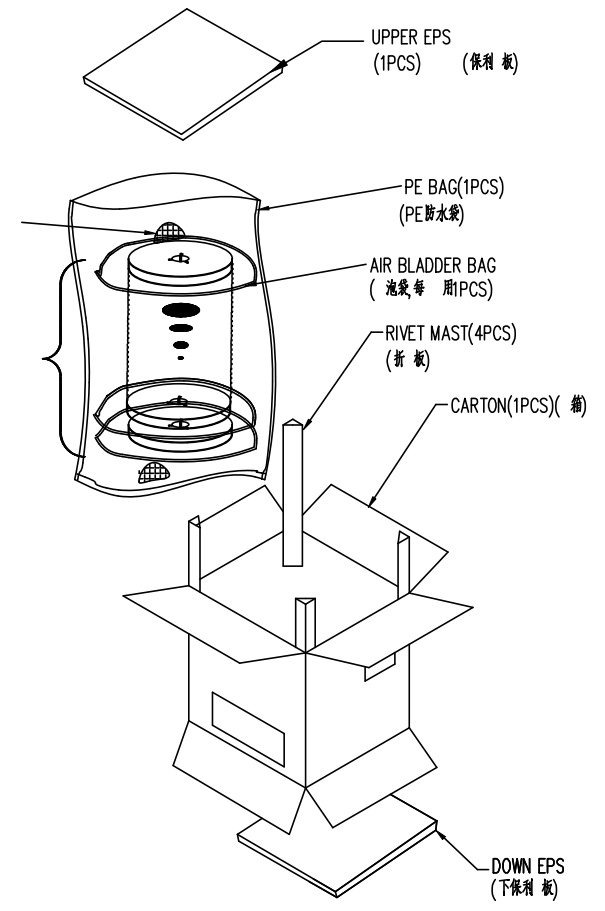


SCALE 1:4



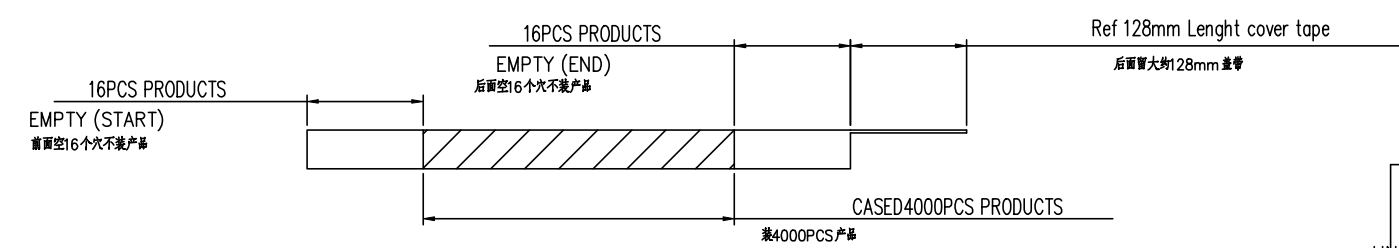
DESICCANT(2 PCS)
(3g/PCS)(干燥)

NUMBER REEL
()



GP LABEL
() (1PCS)

LABEL ()
(1PCS)



| PIN NO. | W | C | PCS /REEL | REEL/CARTON | SUM(PCS) |
|-------------|----|------|-----------|-------------|----------|
| 04PIN~14PIN | 16 | - | 4000 | 14 | 56000 |
| 16PIN~24PIN | 24 | - | 4000 | 10 | 40000 |
| 28PIN~39PIN | 32 | 28.4 | 4000 | 8 | 32000 |
| 40Pin~50PIN | 44 | 40.4 | 4000 | 6 | 24000 |

— TOLERANCES —
UNLESS OTHERWISE SPECIFIED
公差 考表

| | | | |
|-------|--------------|--------|-----------------|
| X.X | : ± 0.30 | X.X* | : $\pm 5^\circ$ |
| X.XX | : ± 0.20 | X.XX* | : $\pm 2^\circ$ |
| X.XXX | : ± 0.10 | X.XXX* | : $\pm 1^\circ$ |

深圳市金航标电子有限公司
www.kinghelm.com.cn
KH-FPC0.5-H1.0SMT-32P-QCHF
0755-28190160

TITLE: 0.5mm Pitch FPC Connector
品名: 0.5mm Pitch FPC Connector

APPD: 核准: LIU
CHECK: 校: LIU
DRAW: 校: LIU

DWG NO: FP242AH-0XXG10M
品料: FP242AH-0XXG10M

| | | | |
|------|-------|------|------|
| DATE | SCALE | UNIT | PAGE |
| | 1:1 | mm | 1/1 |

本产品符合 RoHS 符合 SONY00259 符合 HF 其他
禁止使用本公司所禁用有毒物质

| | | | | |
|-----|-------------|--------|-----|----------|
| A | New Drawing | | LIU | 02/27'13 |
| REV | DESCRIPTION | ECN.NO | BY | DATE |

单击下面可查看定价，库存，交付和生命周期等信息

[>>kinghelm\(金航标\)](#)