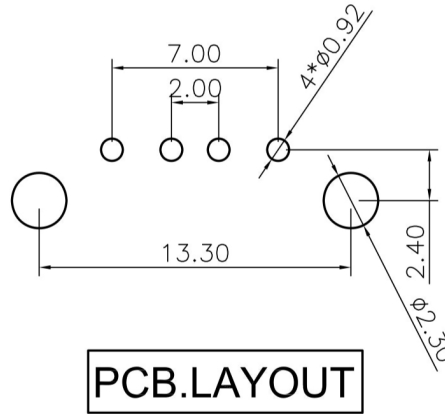
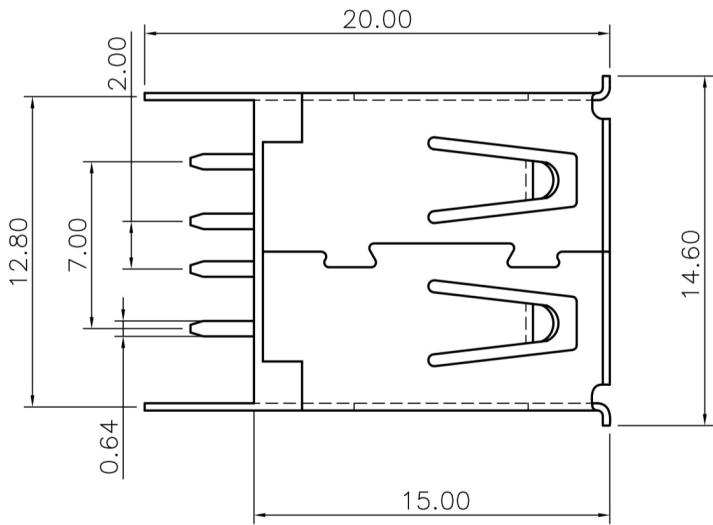
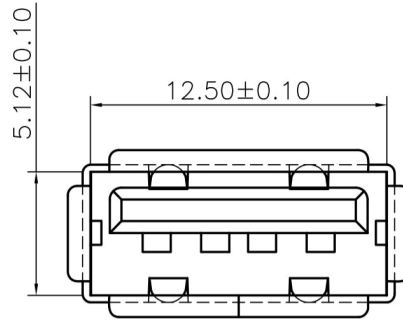
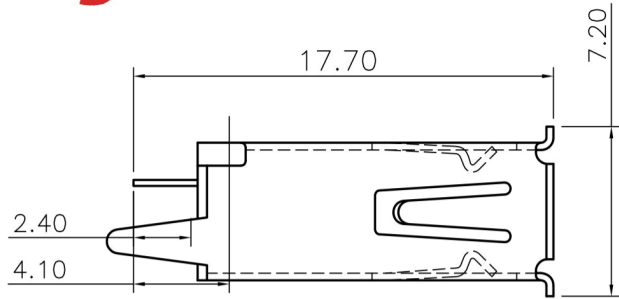


**Kinghelm®**

REV.	ECN.NO.	APPD.
A	/	pcy



**NOTES:**

- 1.MATERIAL:
  - 1.1 Housing:thermoplastic plastics
  - 1.2 terminals:Copper Alloy  
Gold plated in contact area:  
Tin plated in termination  
Nickel Plated overall
  - 1.3 Shell:Steel&Copper Alloy  
Nickel Plated overall
- 2.ELECTRICAL CHARACTERISTICS:
  - 2.1 Rating Current :1.5 Ampere
  - 2.2 Rating Voltage :30 V Max
  - 2.3 Contact Resistance:30 Milli ohms
  - 2.4 Insulation Resistance:1000 Mega ohms Min.
- 3.MECHANICAL CHARACTERISTICS:
  - 3.1 Connector Mating force: 35N MAX(3.57Kgf)
  - 3.2 Connector Unmating force:10N min(1.02Kgf)
  - 3.3 Durability:1500Cycles.
- 4.ENVIRONMENT CHARACTERISTICS:
  - 4.1 Operating temperature:-0°C to +50°C
  - 4.2 Storage temperature:-20°C to +60°C

U223-031X-XXX0XR

- |                              |                   |
|------------------------------|-------------------|
| 1:Iron alloy<br>Ni plating   | 1:tray            |
| 5:Copper alloy<br>Ni plating | 2:Tube            |
| 1:Au 1u"                     | 8:Tape&Reel       |
| 3:Au 3u"                     | 9:Tape&Reel+Mylar |
| 5:Au 5u"                     | 1:Black           |
| 7:Au 10u"                    | 2:White           |
| 8:Au 15u"                    | 3:Beige           |
| A:Au 30u"                    | 4:Pure White      |
|                              | 1:PA66            |
|                              | 2:PBT             |
|                              | 6:LCP             |

TOLERANCE UNLESS OTHERWISE SPECIFIED		深圳市金航标电子有限公司		WWW. BDS666. COM	
.XXX ±0.10	.X ±3'	KH-AF180ZJ-15-JB		0755-83044319	
.XX ±0.20	.XX' ±2'	APPROVED	PART NAME:	USB AF 180度直插15.0直脚	
.X ±0.30		CHECKED	PART No:	U223-031X-XXX0XR	C
		DRAWN pengchaoyong	PROJECTION:	UNIT:	SCALE
		DATE 2015.01.12		mm	1:1
				SHEET	REV.
				10F1	A

单击下面可查看定价，库存，交付和生命周期等信息

[>>kinghelm\(金航标\)](#)